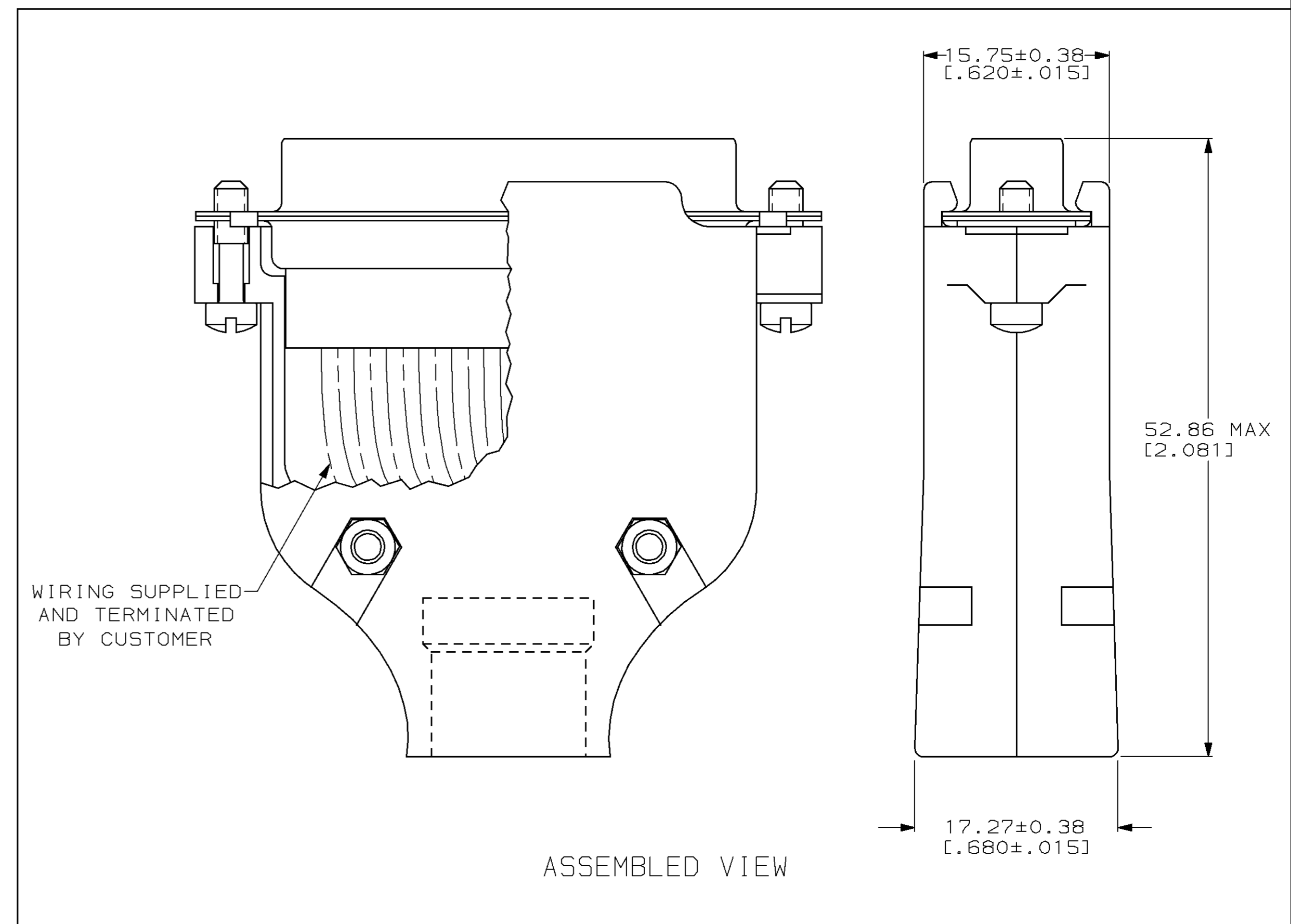
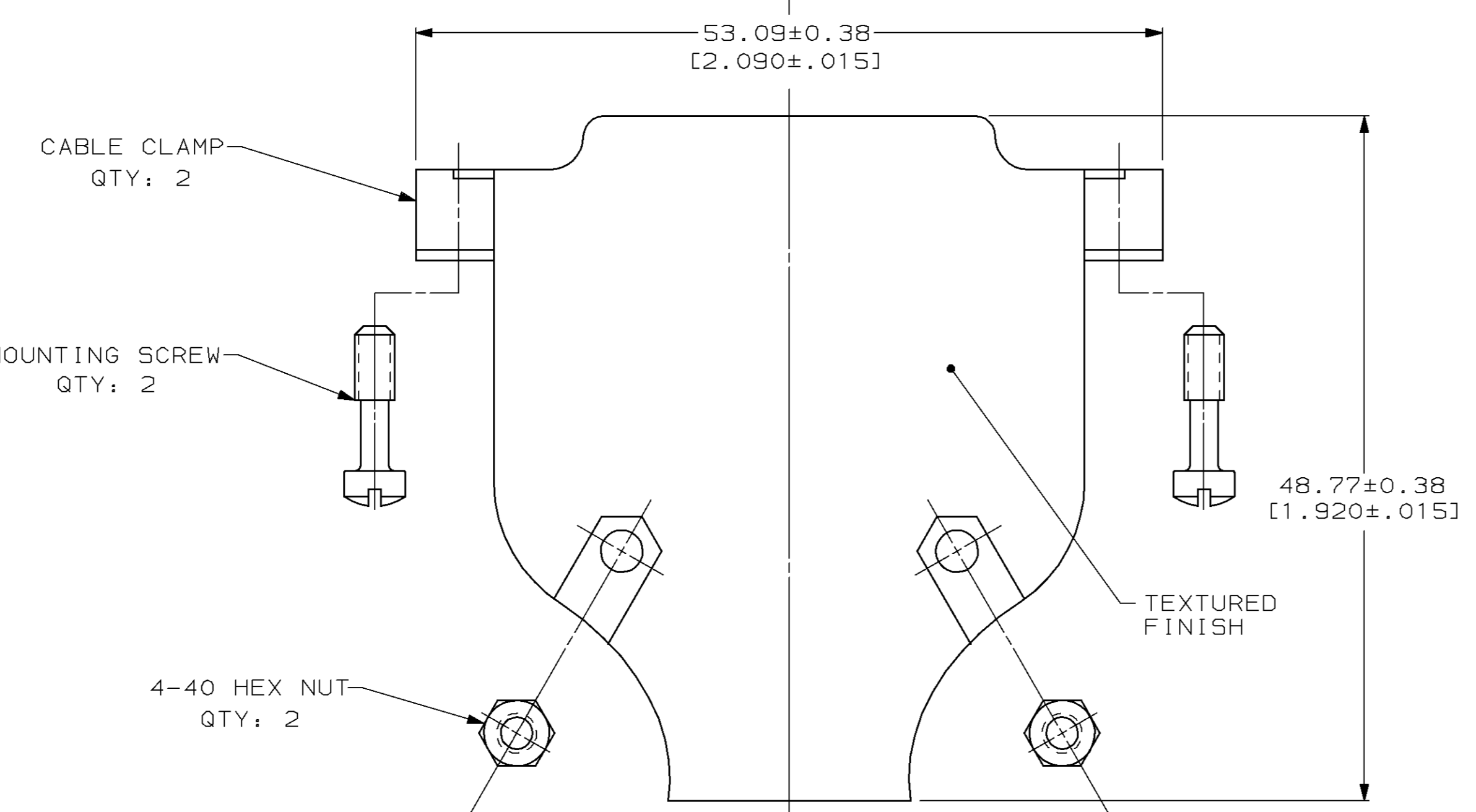
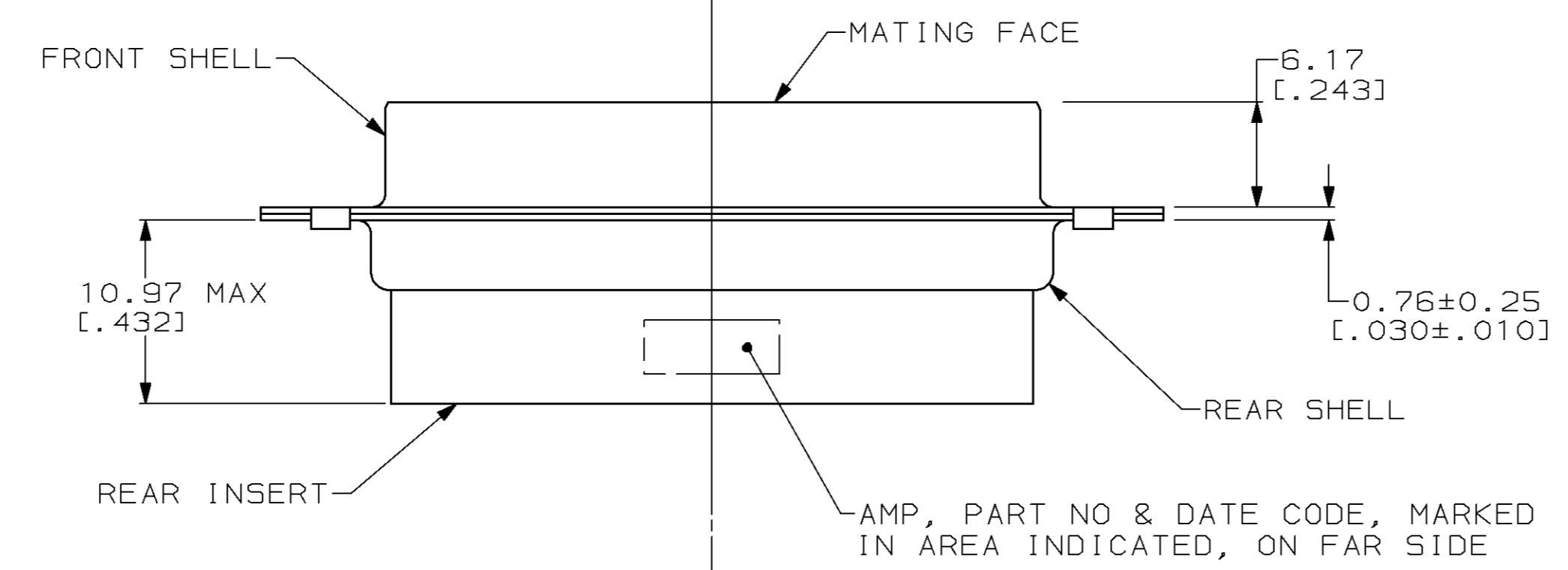
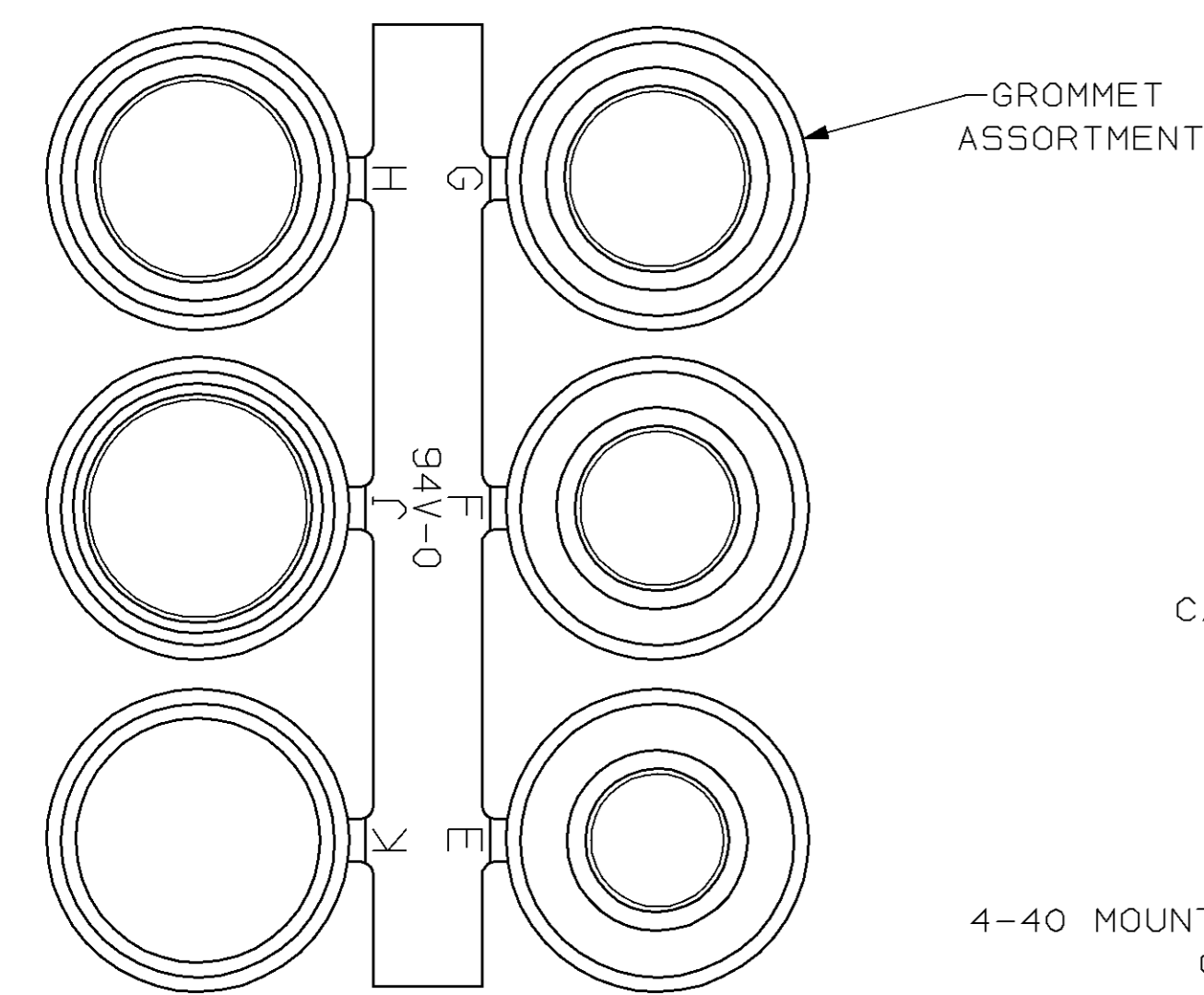
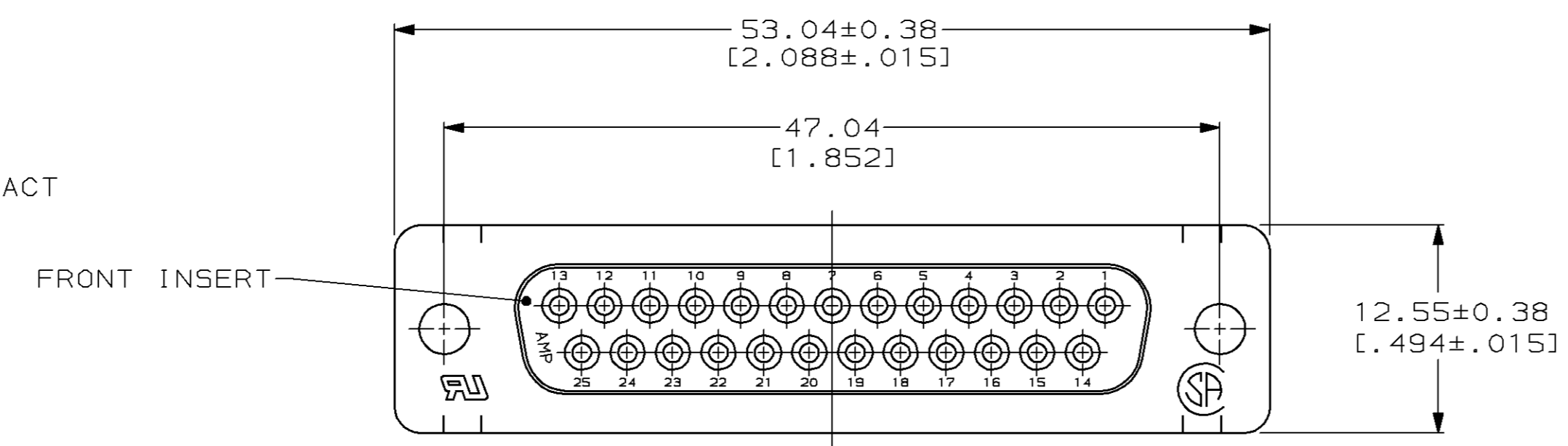
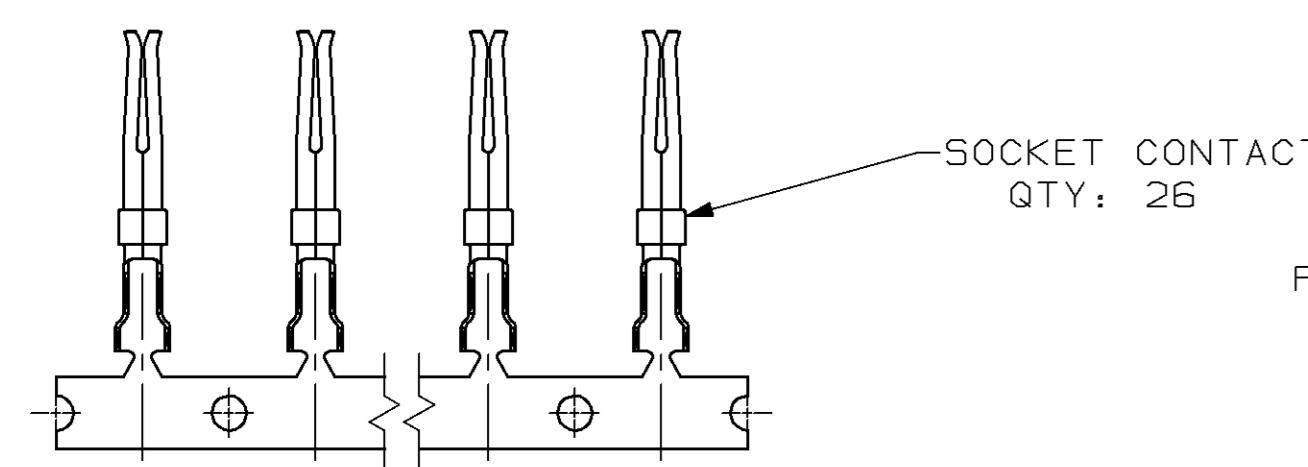
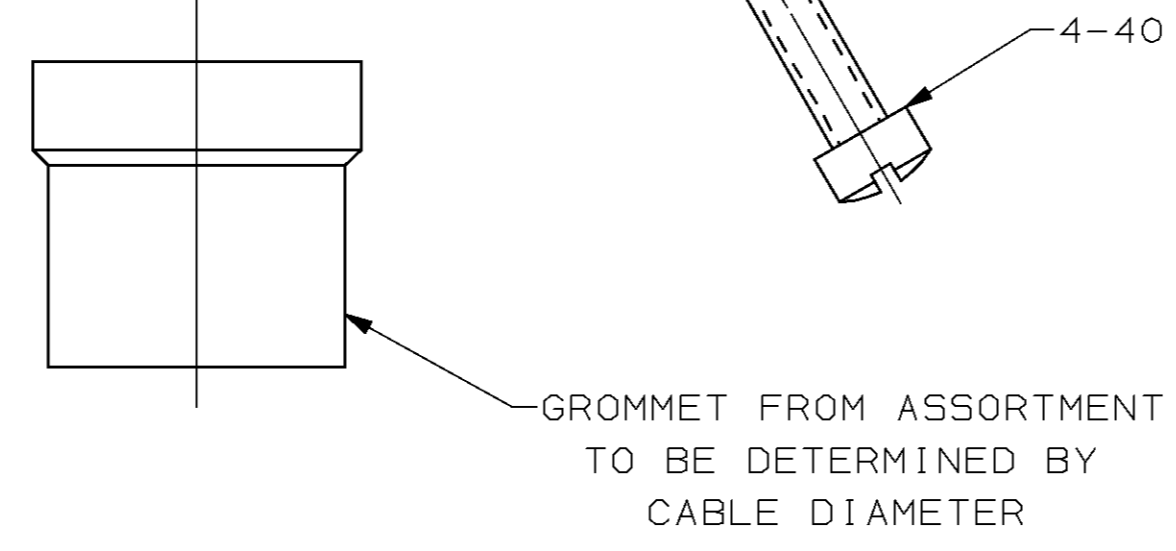


LOC		DIST		P		F		ZONE		LTR		REVISIONS			
BD	48											DESCRIPTION	DATE	APPD	
												0	RELEASED -6 PER NPR 4777, WAS 93-4930-1-6	06/07/93	-
												A	REV PER EC 0020-309-95	05/04/95	JS
												B	REV PER EC 0020-881-95	25 AUG 95	JS
												C	REV PER EC 0640-120-98	01 MAY 98	JK



1. CONTACTS ACCEPT 24-20 AWG RANGE.
2. NYLON, GLASS FILLED, UL 94V-0 RATED, BLACK.
3. PVC, UL 94V-0 RATED, BLACK.
4. PHOSPHOR BRONZE.
5. CARBON STEEL.
6. CABLE CLAMPS: ZINC; SCREWS & NUTS: CARBON STEEL.
7. GOLD PLATING PER MIL-G-45204; NICKEL PLATING PER QQ-N-290; TIN PLATING PER MIL-T-10727; COPPER PLATING PER MIL-C-14550; ZINC PLATING PER ASTM B633, TYPE III, CLASS SC1, CLEAR CHROMATE.
8. GOLD FLASH FOR A LENGTH OF 2.54[.100] MIN FROM MATING END, 2.54µm[.000100] MIN TIN OR TIN-LEAD ON OPPOSITE END FOR A LENGTH OF 4.06 [0.160] MIN FROM END OF INSULATION BARREL, BOTH OVER 0.76µm[.000030] MIN NICKEL ON ENTIRE CONTACT.
9. 5.08µm[.000200] MIN TIN OVER 1.27µm[.000050] MIN COPPER.
10. MOUNTING SCREWS & NUTS: 3.81µm[.000150] MIN ZINC; FILISTER HEAD SCREWS: ZINC.



THIS DRAWING IS A CONTROLLED DOCUMENT FOR AMP INCORPORATED. IT IS SUBJECT TO CHANGE AND THE CONTROLLING ENGINEERING ORGANIZATION SHOULD BE CONTACTED FOR THE LATEST REVISION.

DO NOT SCALE PRINT. UNLESS SPECIFIED DIMENSIONS IN mm [INCHES] TOLERANCES ON:		DR 06/07/93 D. GELTZ	SMALL PACK		749806-6
2 PLC DEC #0.13 [.005]		CHK 6-17-93 R. STONE	PACKAGING TYPE		PART NO
3 PLC DEC # -		APPD 6-25-93 S. BRINSER	AMP Incorporated Harrisburg, PA 17105-3608		
ANGLES # -		APPD 6-25-93 S. BRINSER			
MATERIAL		PRODUCT SPEC	RECEPTACLE KIT, UNASSEMBLED, SIZE 3, 25 POSITION, METAL SHELL, AMPLIMITE™ HDP-20		
GROMMETS: 3		108-40011	NAME		
CONTACTS: 4		APPLICATION SPEC	SIZE		
SHELLS: 3		114-40003	CAGE CODE		
FINISH		SCALE	DRAWING NO		
SHELLS: 3		3:1	D 00779		
CONTACTS: 4		WEIGHT		SHEET	
HARDWARE: 10		-		1 OF 1	