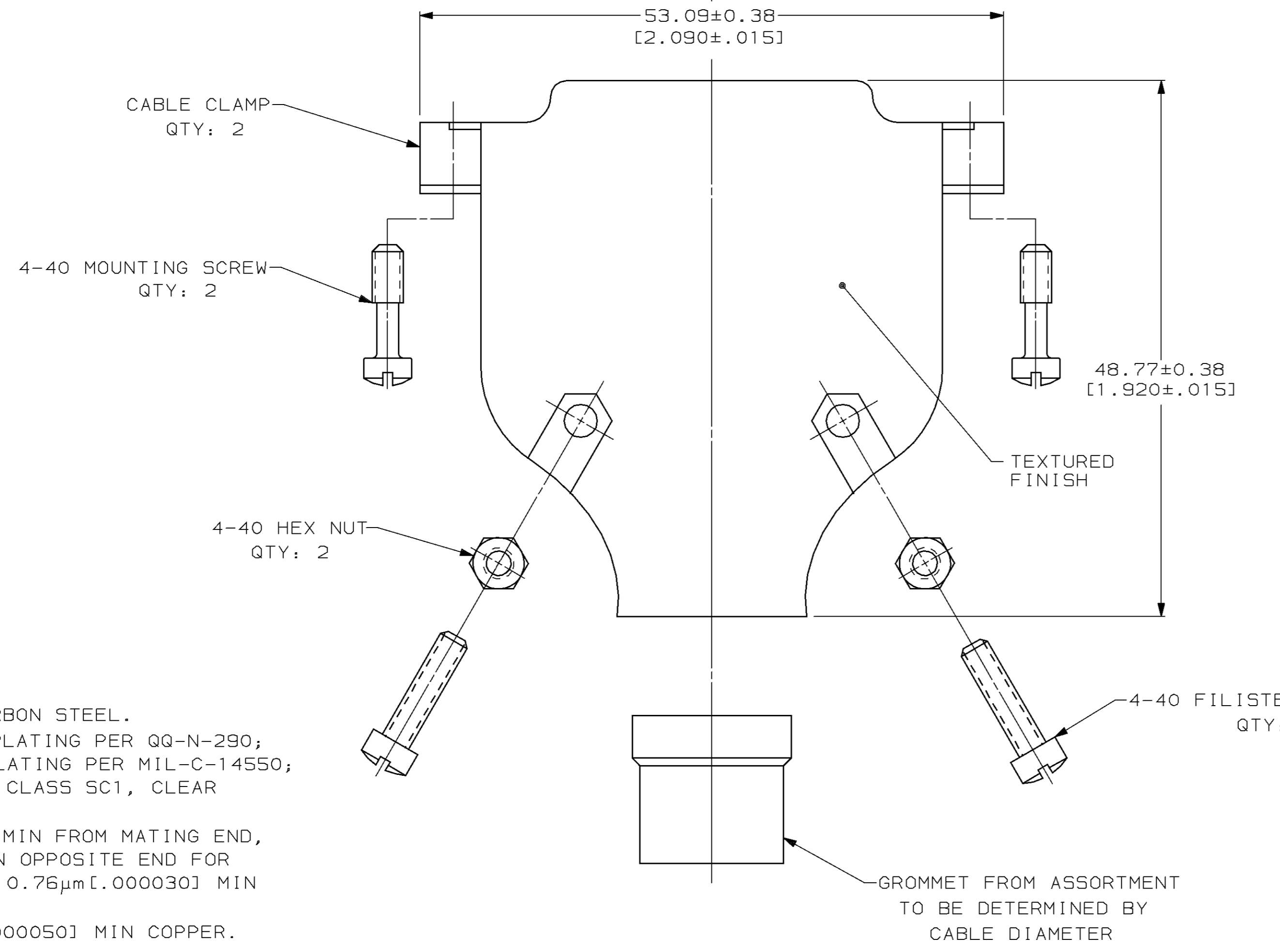
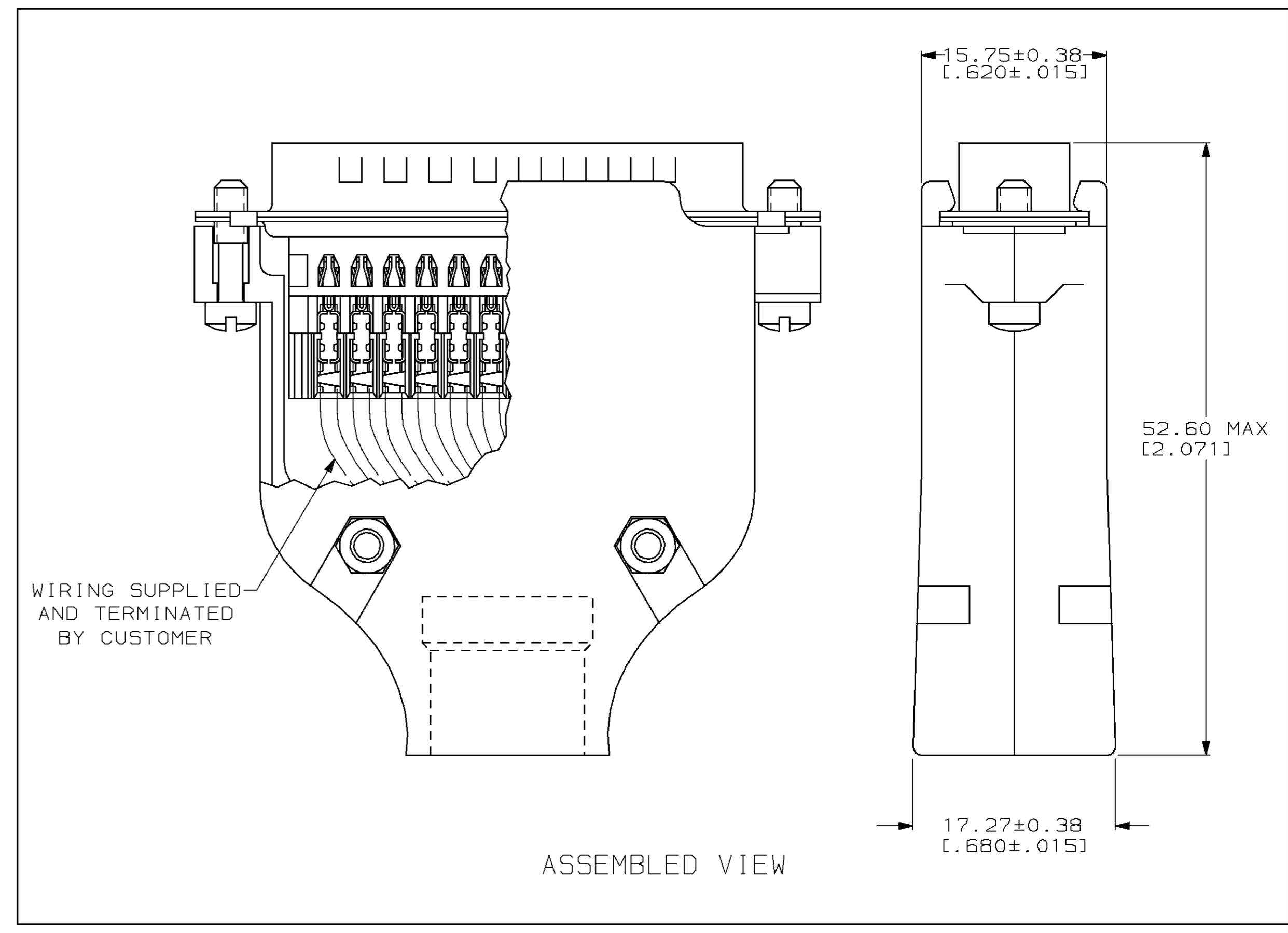
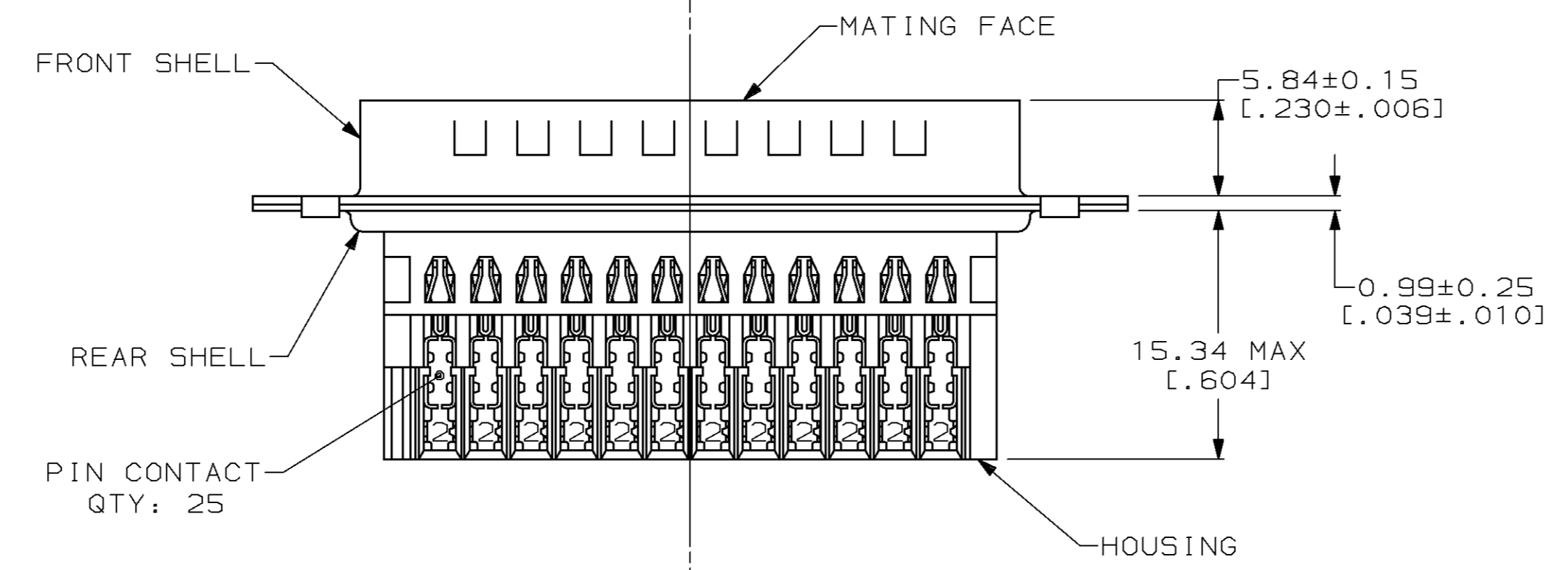
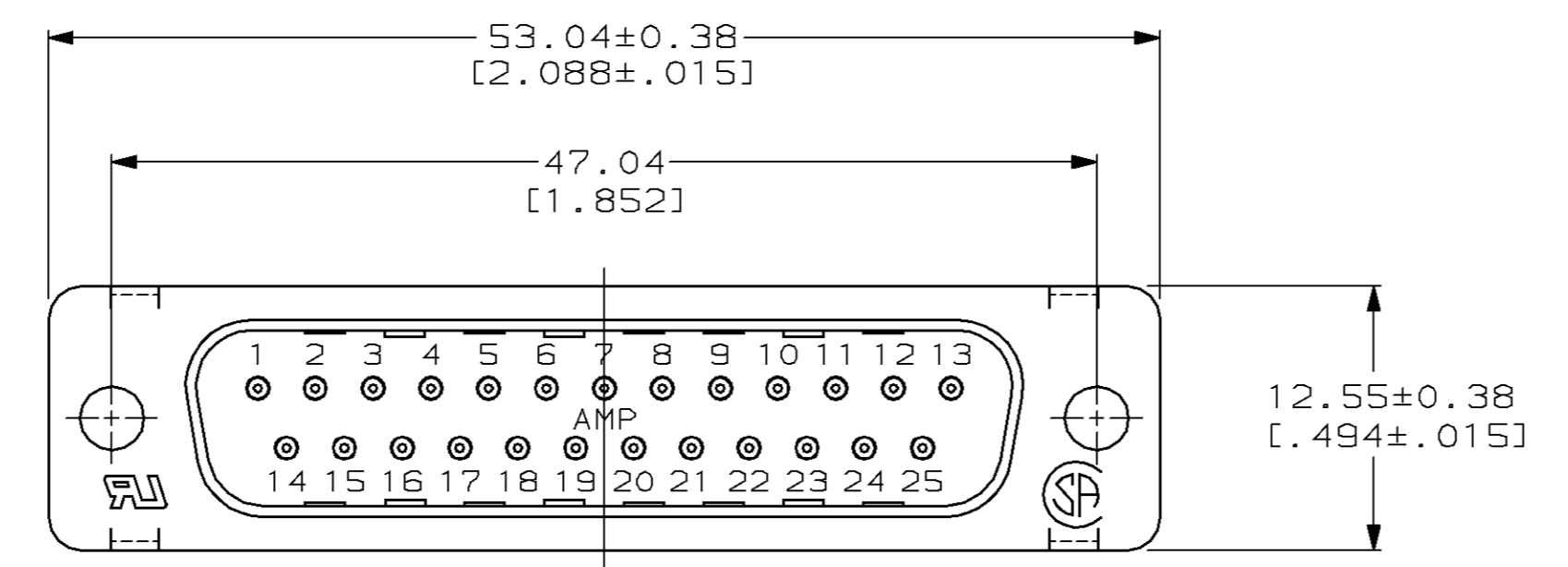
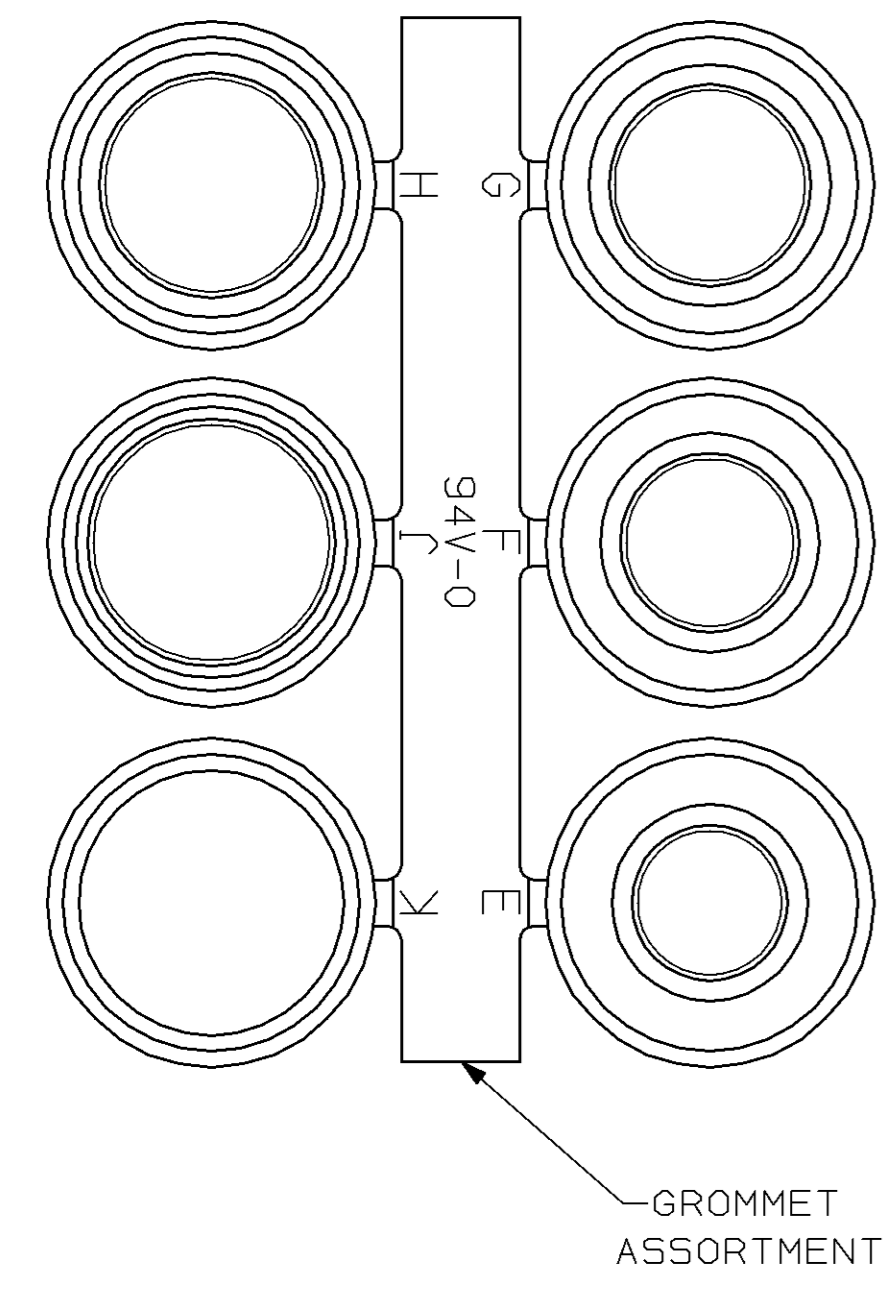


LOC		DIST		P		F		ZONE		LTR		REVISIONS			
BD			48									DESCRIPTION	DATE	APPD	
												0	RELEASED -6 PER NPR 4777, WAS 93-5870-1-6	06/09/93	-
												A	REV PER EC 0020-309-95	05/04/95	JS
												B	REV PER EC 0020-881-95	25 AUG 95	JS



1. CONTACTS ACCEPT 22-26 AWG RANGE.
2. POLYESTER OR NYLON, GLASS FILLED, UL 94V-0 RATED, BLACK.
3. PVC, UL 94V-0 RATED, BLACK.
4. PHOSPHOR BRONZE PER ASTM B 103.
5. CARBON STEEL.
6. CABLE CLAMPS: ZINC; SCREWS & NUTS: CARBON STEEL.
7. GOLD PLATING PER MIL-G-45204; NICKEL PLATING PER QQ-N-290; TIN PLATING PER MIL-T-10727; COPPER PLATING PER MIL-C-14550; ZINC PLATING PER ASTM B633, TYPE III, CLASS SC1, CLEAR CHROMATE.
8. GOLD FLASH FOR A LENGTH OF 3.81 [1.15] MIN FROM MATING END, 2.54µm [1.000100] MIN TIN OR TIN-LEAD ON OPPOSITE END FOR A LENGTH OF 6.60 [1.260] MIN, BOTH OVER 0.76µm [1.000030] MIN NICKEL ON ENTIRE CONTACT.
9. 5.08µm [1.000200] MIN TIN OVER 1.27µm [1.000050] MIN COPPER.
10. MOUNTING SCREWS & NUTS: 3.81µm [1.000150] MIN ZINC; FILISTER HEAD SCREWS: ZINC.

THIS DRAWING IS A CONTROLLED DOCUMENT FOR AMP INCORPORATED. IT IS SUBJECT TO CHANGE AND THE CONTROLLING ENGINEERING ORGANIZATION SHOULD BE CONTACTED FOR THE LATEST REVISION.

DO NOT SCALE PRINT. UNLESS SPECIFIED DIMENSIONS IN mm [INCHES]		DR 06/09/93 D. GELTZ		SMALL PACK		749810-6	
TOLERANCES ON:		CHK 6-17-93 R. STONE		PACKAGING TYPE		PART NO	
2 PLC DEC ± 0.13 [1.005]		APPD 6-25-93 S. BRINSER		AMP Incorporated Harrisburg, PA 17105-3608			
3 PLC DEC ± -		APPD 6-25-93 S. BRINSER					
ANGLES ± -		APPD 6-25-93 S. BRINSER		NAME			
MATERIAL		PRODUCT SPEC		PLUG KIT, UNASSEMBLED, SIZE 3, 25 POSITION, METAL SHELL, AMPLIMITE™ HDE-20			
GROMMETS: 3		108-40011		SIZE			
CONTACTS: 4		APPLICATION SPEC		D		CAGE CODE	
SHELLS: 3		114-40003		00779		DRAWING NO	
FINISH		WEIGHT		3:1		G=749810-6	
SHELLS: 3		-		SCALE		SHEET	
CONTACTS: 4				3:1		1 OF 1	
HARDWARE: 10				CUSTOMER DRAWING			