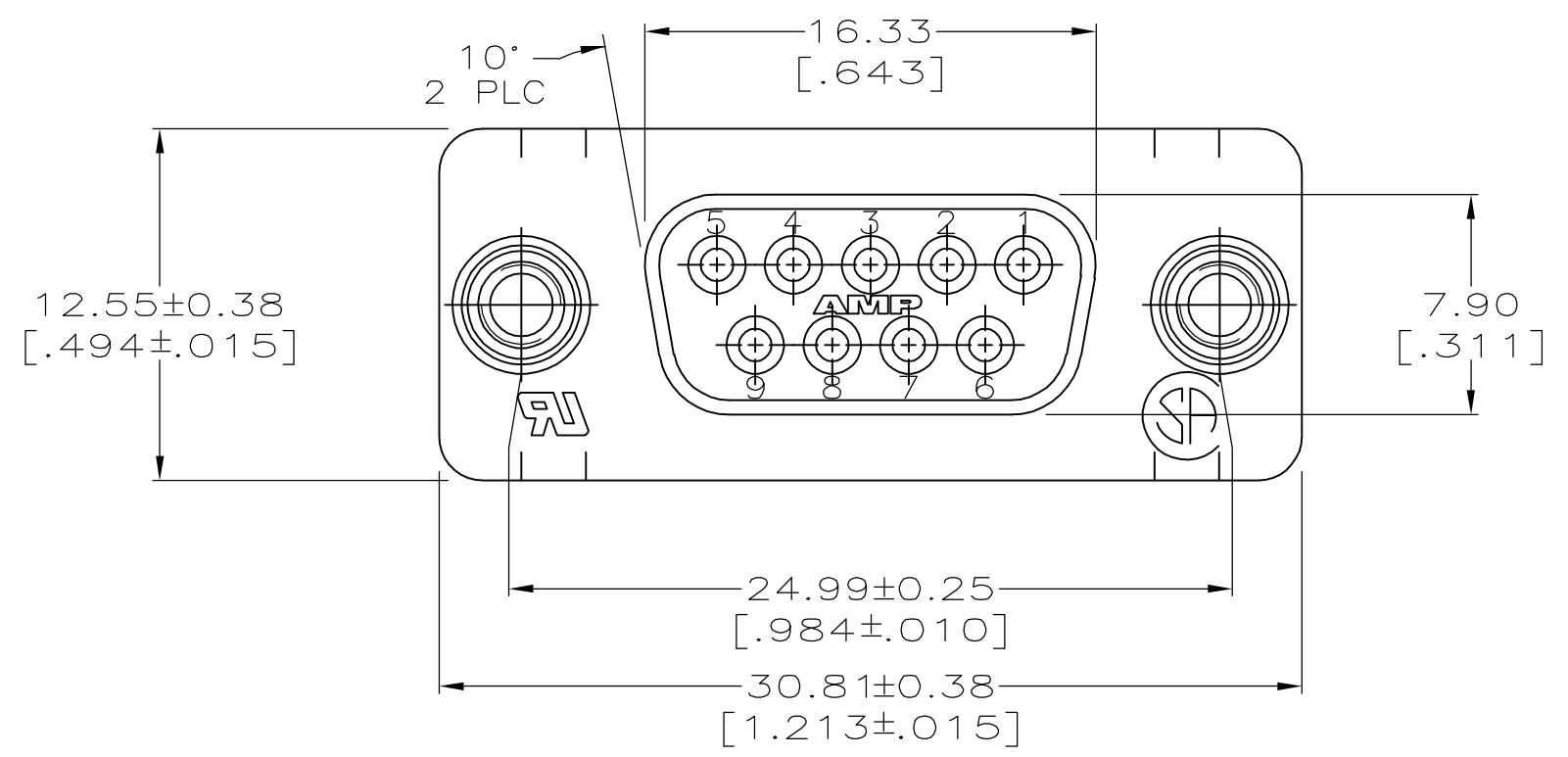
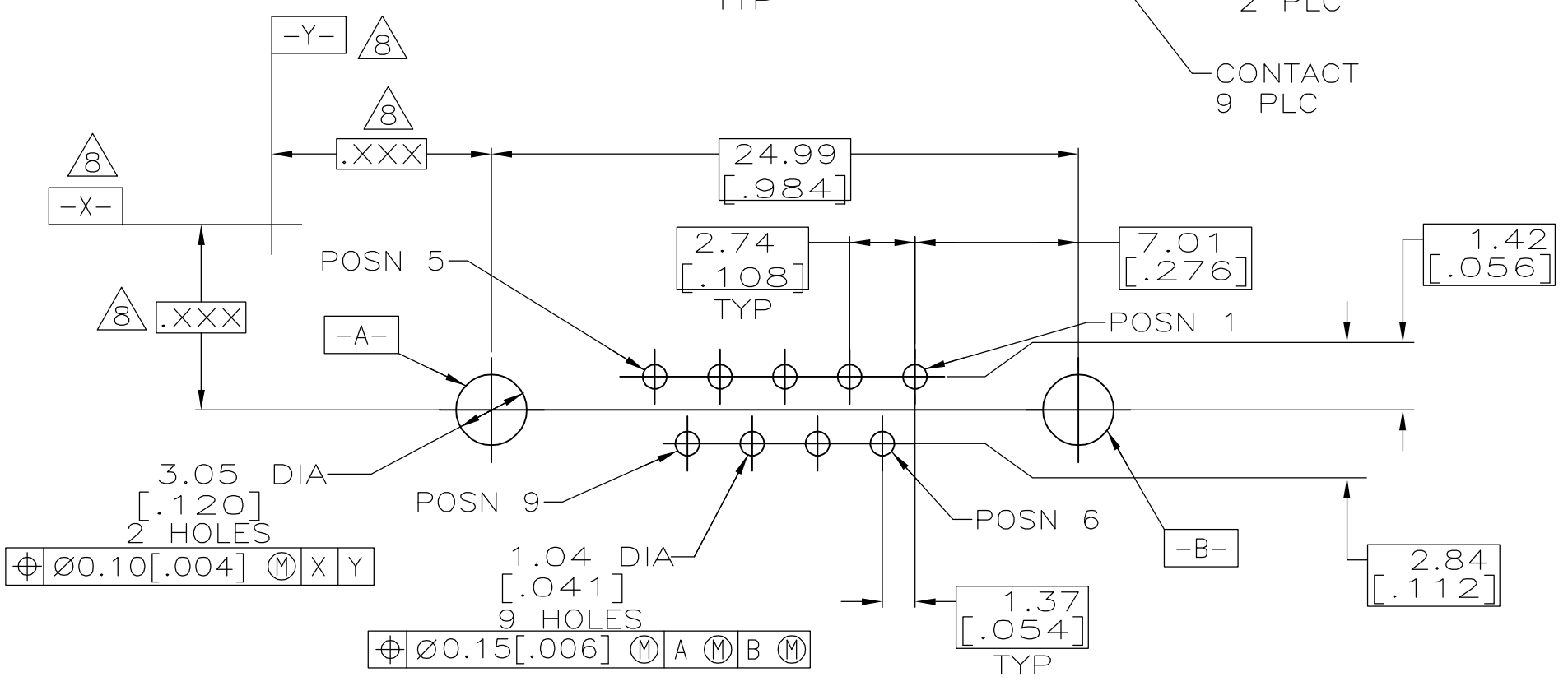
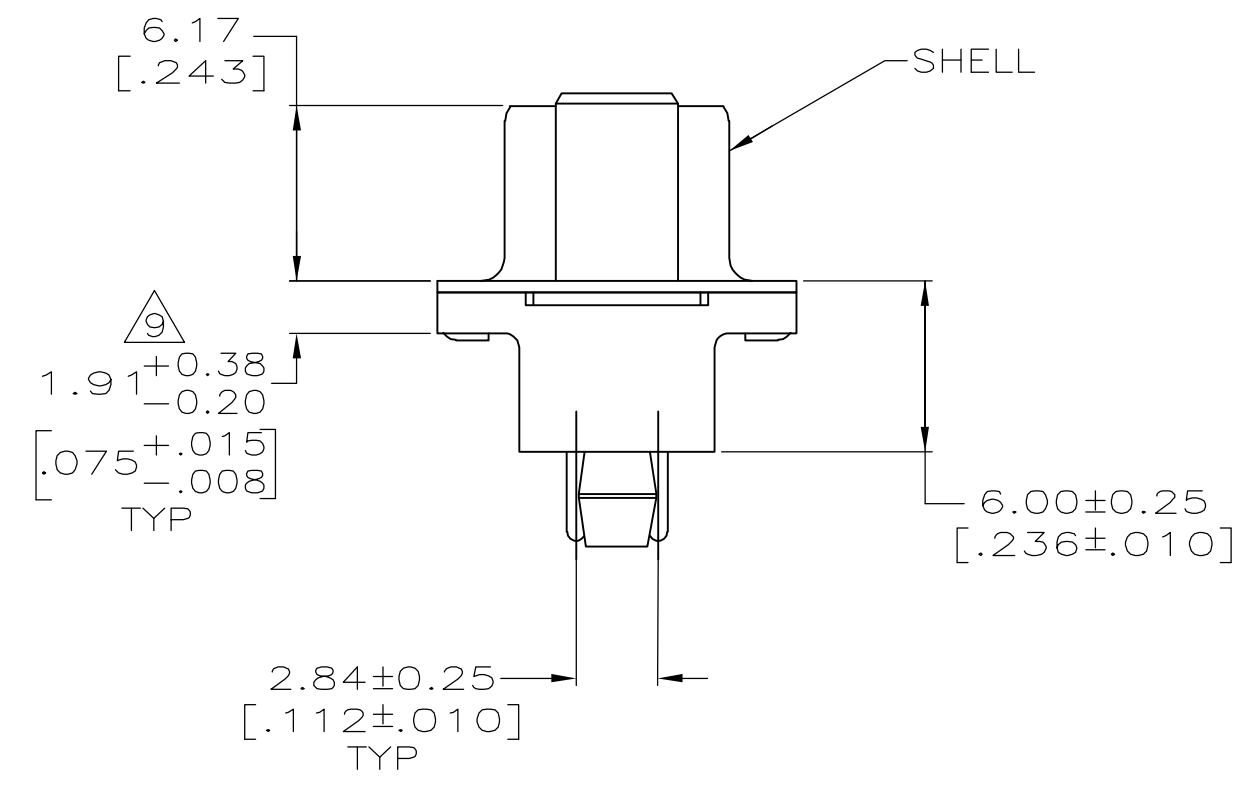
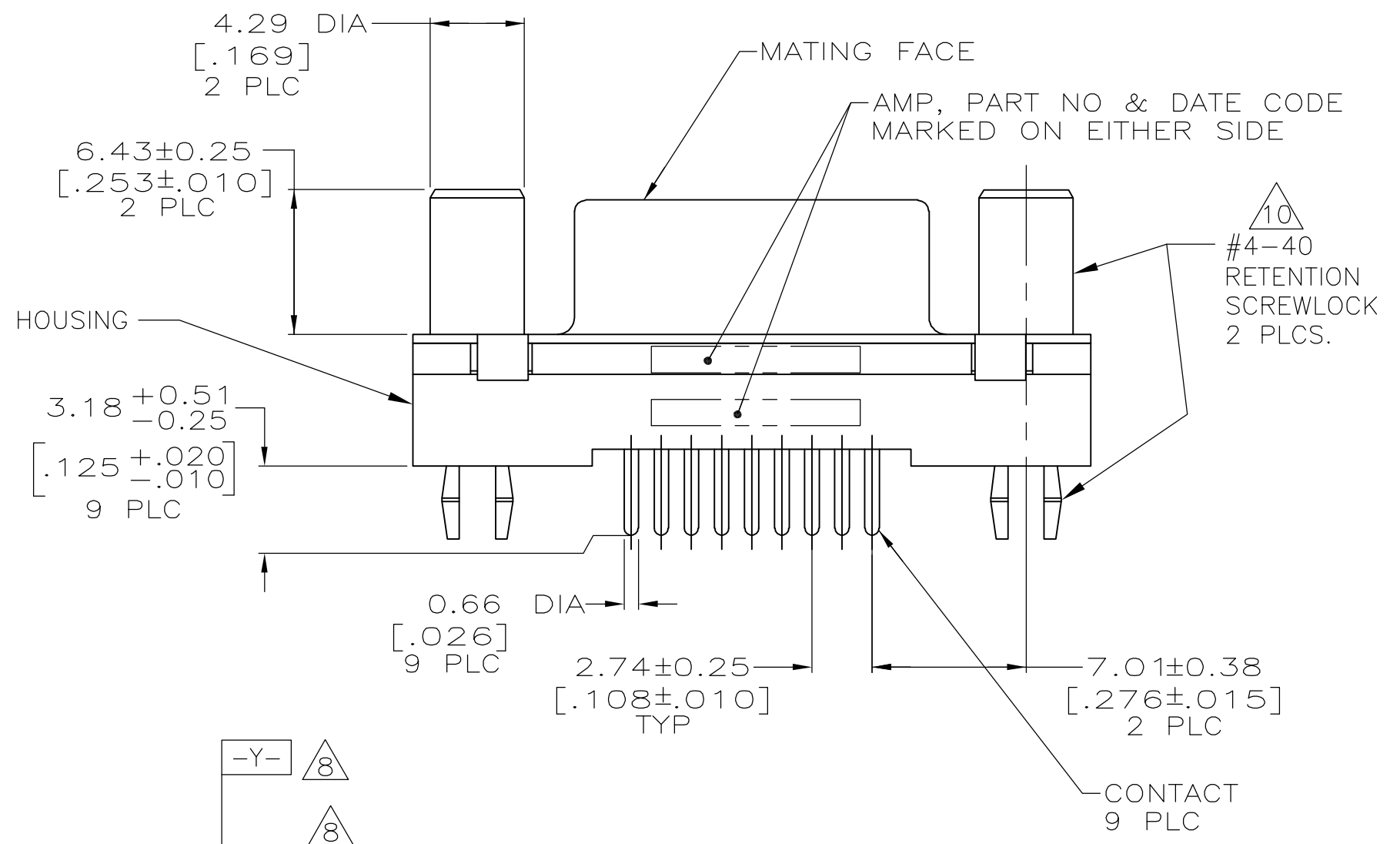


LOC	DIST	REVISIONS					
GP	00	P	LTR	DESCRIPTION	DATE	DWN	APVD
		H		REVISED PER ECN 0513-0156-05	14JUL06	JDP	SLB



- 1 POLYESTER, UL 94V-0 RATED, BLACK.
- 2 CARBON STEEL PER ASTM A109.
- 3 PHOSPHOR BRONZE PER QQ-B-750.
- 4 BRASS PER QQ-B-626.
- 5 5.08µm [.000200] MIN TIN OVER 2.54µm [.000100] MIN COPPER.
- 6 0.76µm [.000030] MIN GOLD FOR A LENGTH OF 1.40 [.055] MIN FROM MATING END, 2.54µm [.000100] MIN TIN-LEAD ON OPPOSITE END FOR A LENGTH OF 3.68 [.145] MIN, BOTH OVER 1.27µm [.000050] MIN NICKEL.
- 7 2.54µm [.000100] MIN TIN-LEAD OVER 1.27µm [.000050] MIN NICKEL OVER COPPER FLASH.
- 8 DATUMS AND BASIC DIMENSIONS ESTABLISHED BY CUSTOMER.
- 9 2.79[.110] MAX IN SHELL TAB CLINCH AREAS.
- 10 ORIENTATION IS OPTIONAL AND MAY NOT BE AS SHOWN.



PC BOARD MOUNTING DIMENSIONS
CONNECTOR SIDE OF BOARD
1.57[.062] PC BOARD THICKNESS

750678-1
PART NUMBER

THIS DRAWING IS A CONTROLLED DOCUMENT.		DWN	L.SIPE	02/14/91		Tyco Electronics Corporation	
DIMENSIONS: mm[INCHES]		CHK	J. McCLINTON	2-18-91		Harrisburg, PA 17105-3608	
TOLERANCES UNLESS OTHERWISE SPECIFIED:		APVD	-	-	RECEPTACLE ASSEMBLY, SIZE 1, 9 POSN, VERTICAL, FRONT METAL AMPLIMTE, HDP		
0 PLC	± -	PRODUCT SPEC		108-40025			
1 PLC	± -	APPLICATION SPEC		114-40023			
2 PLC	± 0.13 [.005]	SIZE		A2	00779		
3 PLC	± -	CAGE CODE		G-750678	DRAWING NO		
4 PLC	± -	DRAWING NO		750678			
ANGLES	± -	WEIGHT		-			
MATERIAL		FINISH		CUSTOMER DRAWING		SCALE 4:1 SHEET 1 of 1 REV H	
2	3	4	6	7	8		