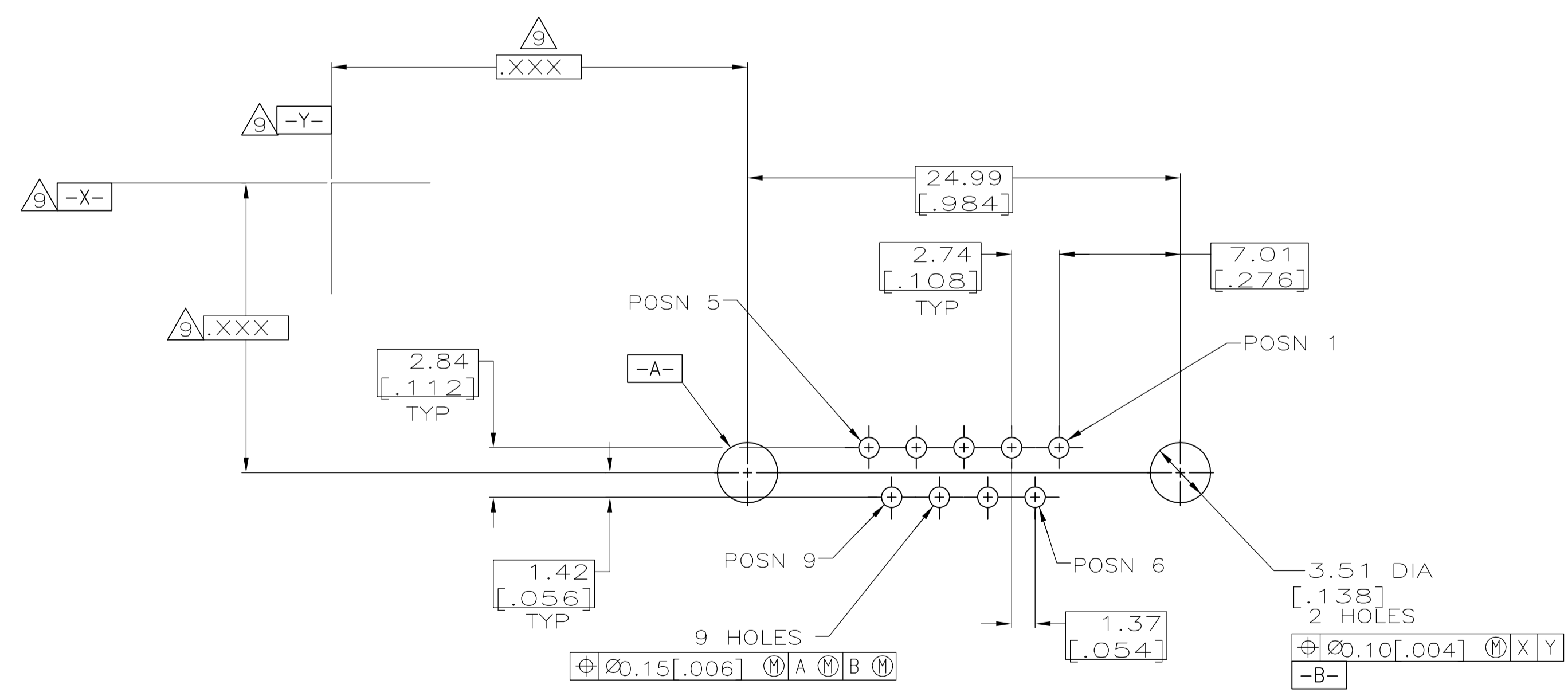
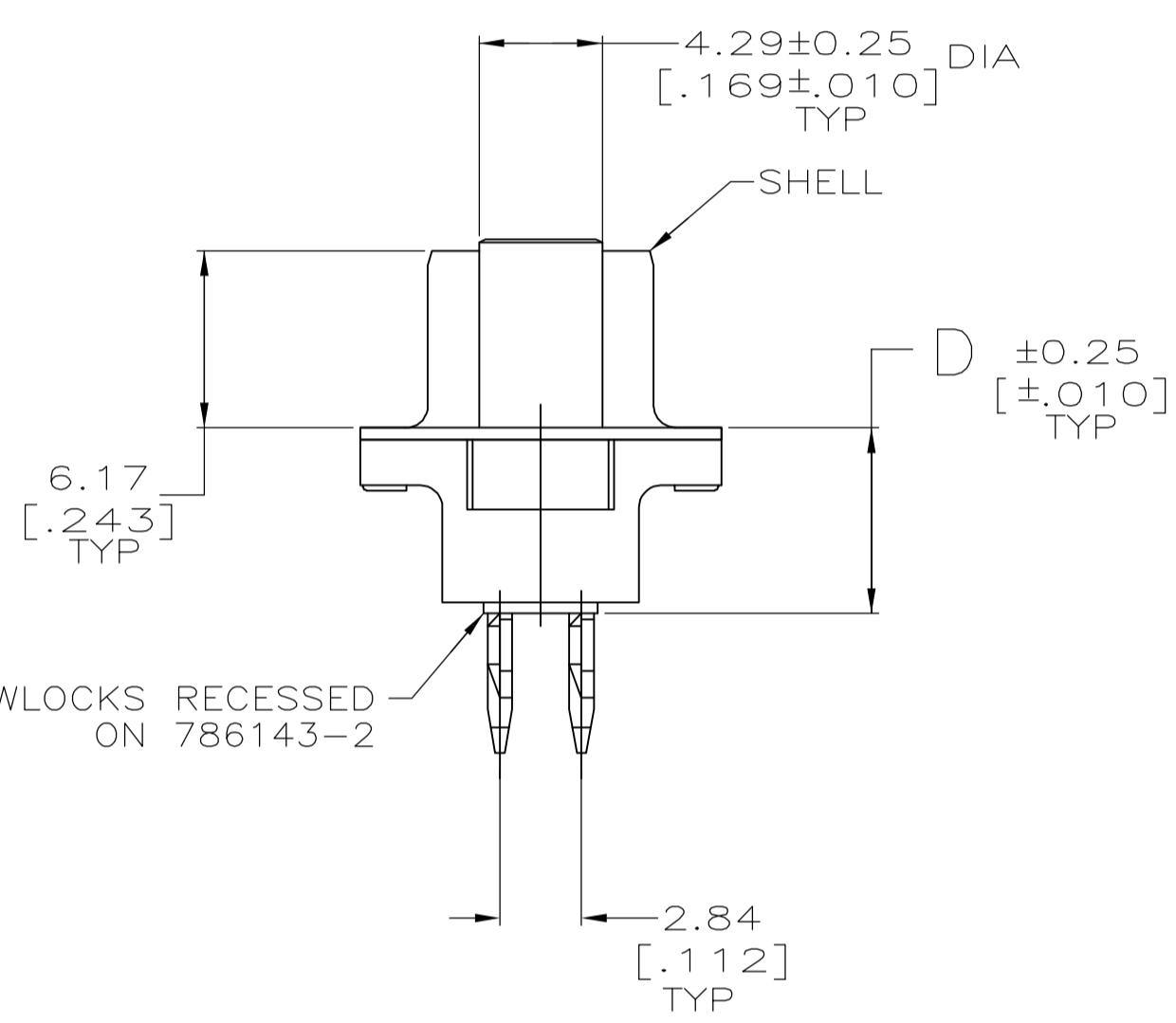
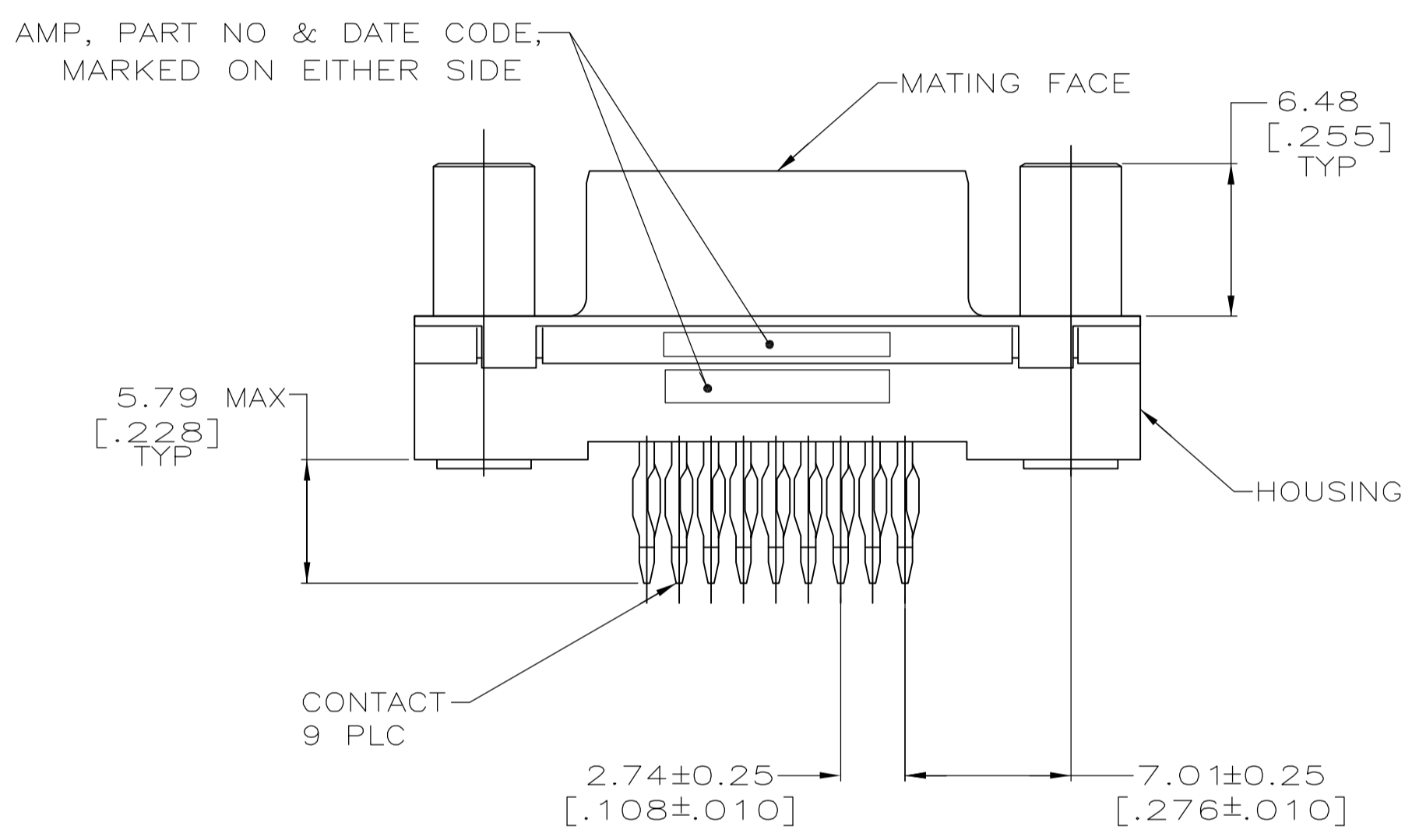


- 1 RECOMMENDATIONS FOR 2.36 [.093] MIN THICK PC BOARD:
  - A. HOLE DIAMETER AFTER DRILLING = 1.14±0.03 [.045±.001].
  - B. HOLE DIAMETER AFTER TIN-LEAD PLATING = 0.94-1.09 [.037-.043].
  - C. HOLE DIAMETER AFTER REFLOW = 0.91-1.09 [.036-.043].
  - D. PC BOARD PLATING TO BE 7.62µm [.000300] MIN TIN-LEAD OVER 0.05±0.03 [.002±.001] COPPER.
- 2 NYLON OR POLYESTER, UL 94V-0 RATED, GLASS FILLED, BLACK.
- 3 COPPER ALLOY.
- 4 CARBON STEEL.
- 5 BRASS.
- 6 OBSOLETE
- 7 SHELL: 5.08 µm [.000200] MIN TIN-LEAD OVER 2.54µm [.000100] MIN COPPER.
- 8 CONTACTS: 0.76 µm [.000030] MIN GOLD FOR A LENGTH OF 1.02 [.040] MIN FROM MATING END, 2.54µm [.000100] MIN TIN OR TIN-LEAD FOR A LENGTH OF 5.79 [.228] MIN FROM OPPOSITE END, BOTH OVER 1.27µm [.000050] MIN NICKEL.
- 9 DATUMS AND BASIC DIMENSIONS ESTABLISHED BY CUSTOMERS.



5.99 [.236]	786143-2
6.48 [.255]	786143-1
D	PART NUMBER

RECOMMENDED PC BOARD MOUNTING DIMENSIONS  $\triangle$   
 CONNECTOR SIDE OF BOARD

91-4913-8-1-1  
 PART NO

THIS DRAWING IS A CONTROLLED DOCUMENT.		DIN C. OBERMAN 1-31-92	Tyco Electronics Corporation Harrisburg, PA 17105-3608
DIMENSIONS: mm [INCHES]		CHK R. STONE 2-4-92	
TOLERANCES UNLESS OTHERWISE SPECIFIED:		APVD -	NAME
0 PLC ± -	1 PLC ± -	PRODUCT SPEC	RECEPTACLE ASSEMBLY, SIZE 1,
2 PLC ± 0.13 [.005]	3 PLC ± -	APPLICATION SPEC	9 POSITION, ACTION PIN,
4 PLC ± -	ANGLES ± °	SIZE	VERTICAL, FRONT METAL SHELL
MATERIAL	FINISH	WEIGHT	RESTRICTED TO
		A1 00779	SCALE 4:1 SHEET 1 OF 1 REV E
		C=786143	
		CUSTOMER DRAWING	