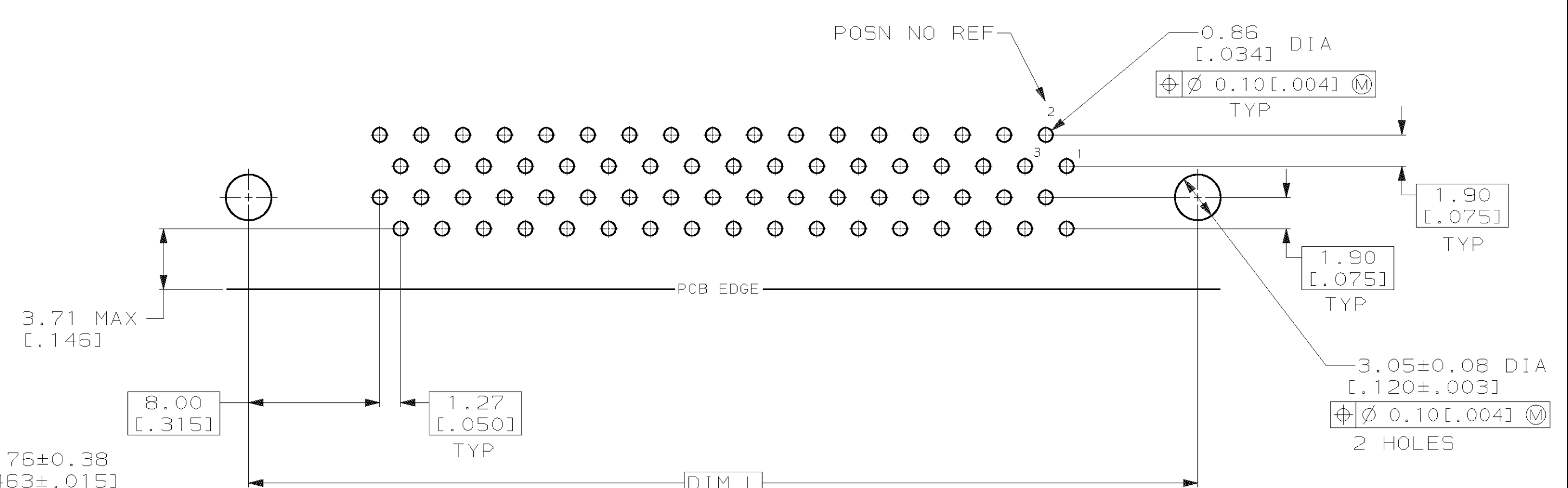
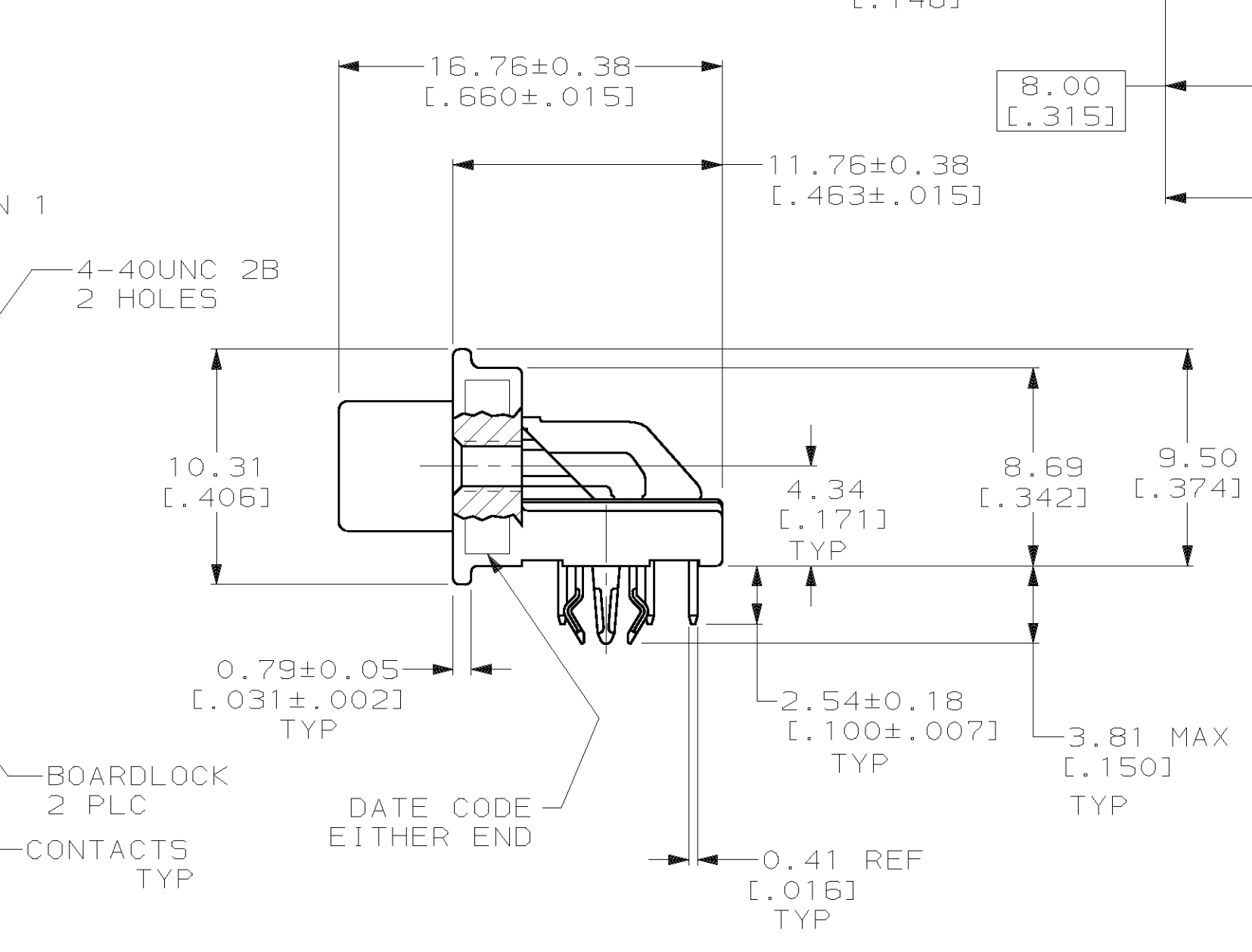
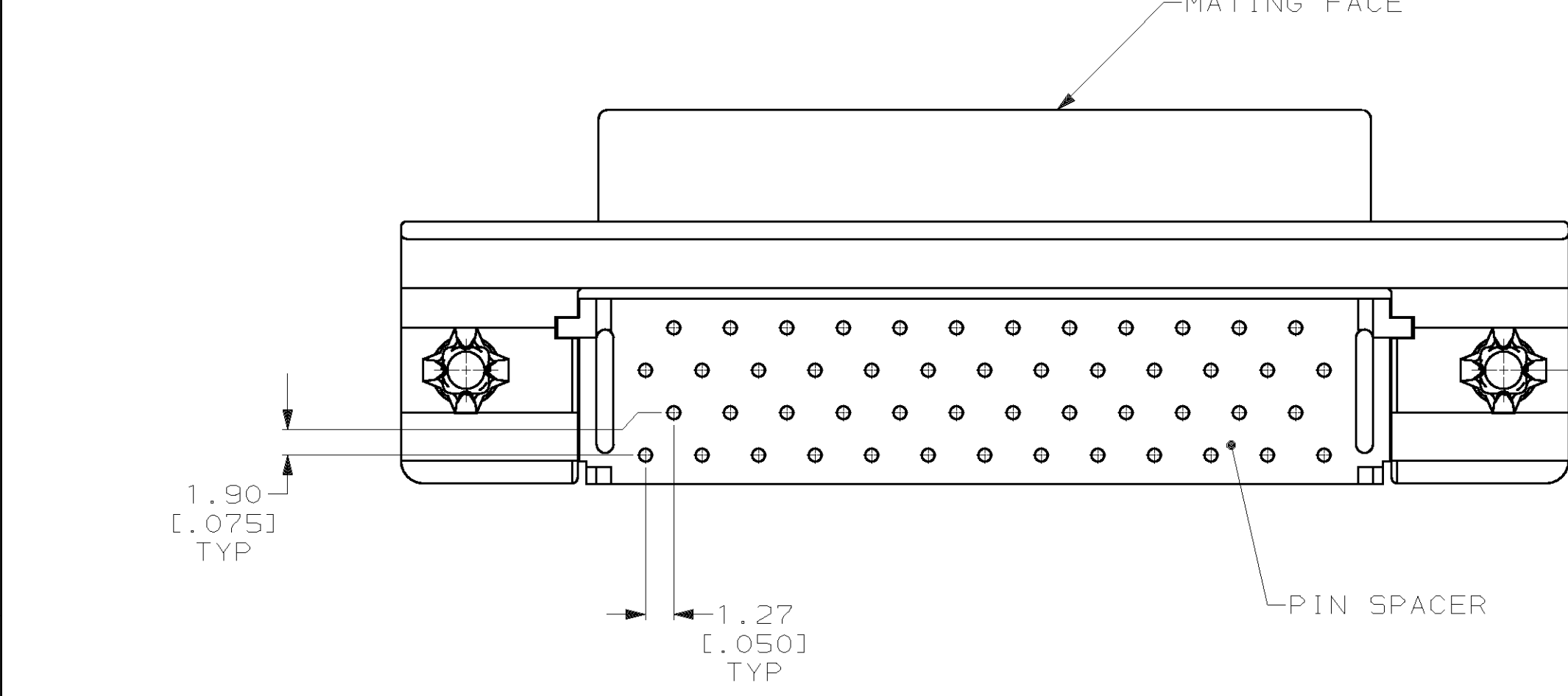
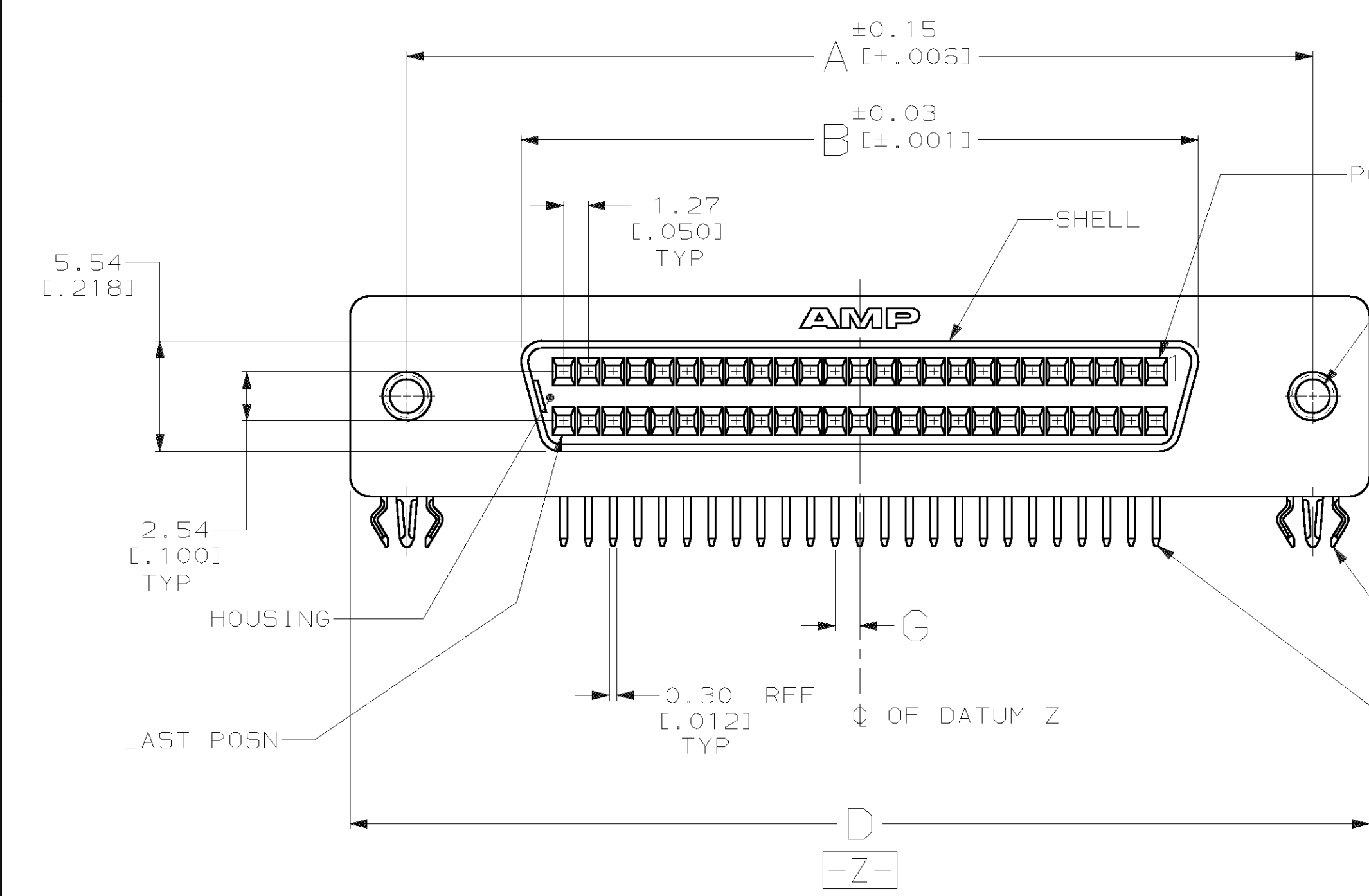
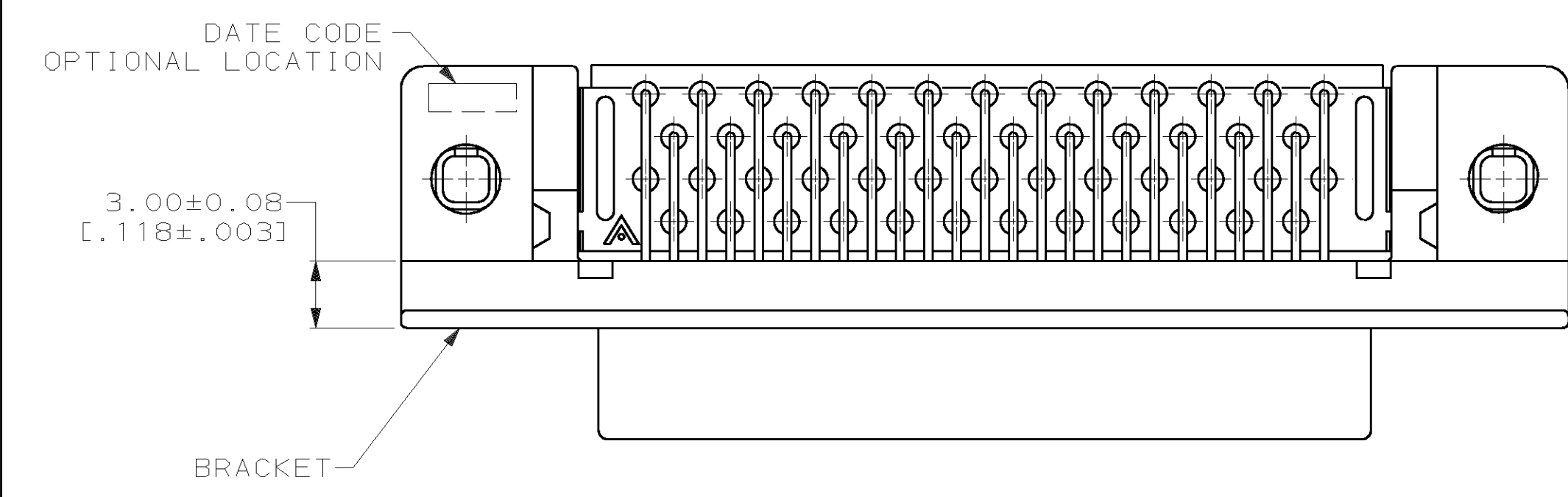
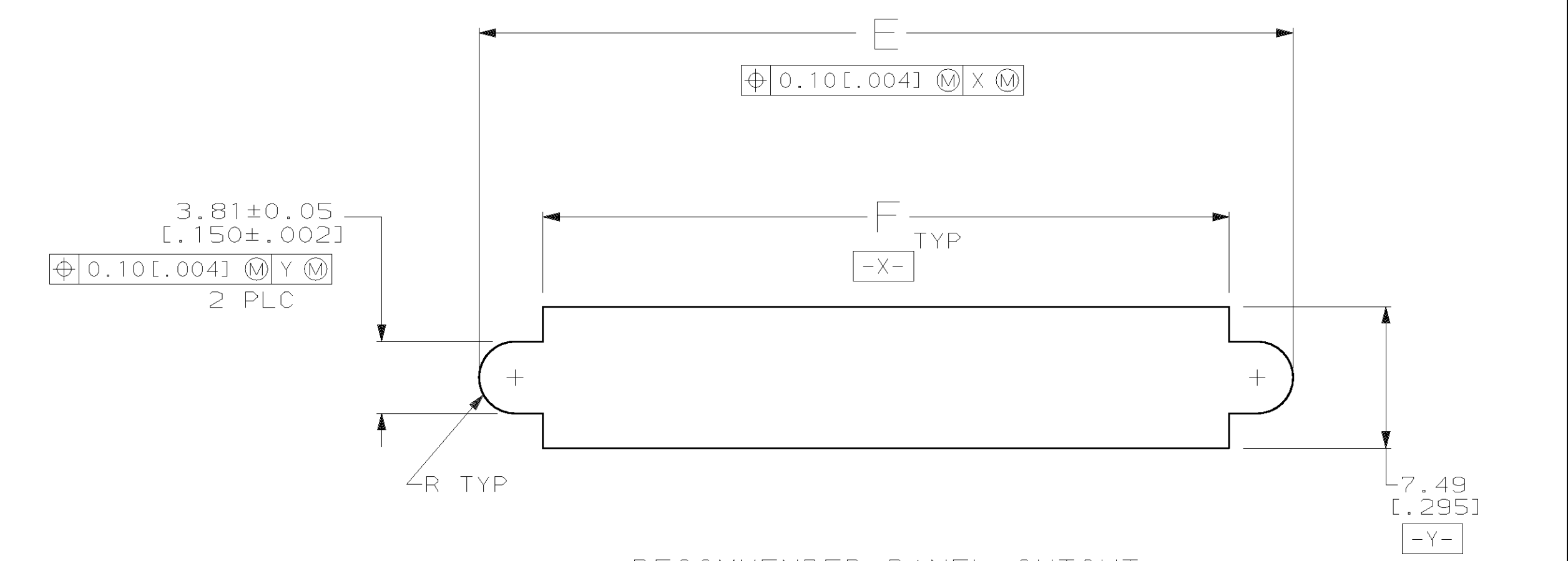


REVISONS		DATE	OWN	APPRO
GP	00		J	CF
DESCRIPTION				
REVISED PER EC 051C-0291-01		07DEC01	JG	CF



P.C. BOARD MOUNTING DIMENSIONS
 CONNECTOR SIDE
 P.C. BOARD THICKNESS 1.57±0.18 [0.062±0.007]



- ⚠ CONTACTS: PHOSPHOR BRONZE; HOUSING & PIN SPACER: UL 94V-0 RATED, THERMOPLASTIC, BLACK; BRACKET: ZINC; SHELL: CARBON STEEL; BOARDLOCKS: COPPER ALLOY.
- ⚠ 0.76µm [0.000030] MIN GOLD FOR A LENGTH OF 0.64 [0.025] MAX, 0.13 [0.005] MIN FROM MATING END, 3.81µm [0.000150] MIN TIN-LEAD ON OPPOSITE END FOR A LENGTH OF 2.72 [0.107] MIN, BOTH OVER 1.27µm [0.000050] MIN NICKEL.
- SHELL: 5.08µm [0.000200] MIN NICKEL OVER 1.27µm [0.000050] MIN COPPER.
- BRACKET: 2.54µm [0.000100] MIN NICKEL OVER 5.08µm [0.000200] COPPER.
- BOARDLOCK: 5.08µm [0.000200] MIN TIN-LEAD OVER 1.27µm [0.000050] MIN NICKEL.

L	G	F	E	D	B	A	NO OF POSN	PART NUMBER
57.91 [2.280]	0.64 [0.025]	49.12 [1.934]	61.72 [2.430]	63.88 [2.515]	46.13 [1.816]	57.91 [2.280]	68	787525-7
40.13 [1.580]	0.64 [0.025]	36.78 [1.448]	43.56 [1.715]	46.10 [1.815]	28.35 [1.116]	40.13 [1.580]	40	787525-4

DIMENSIONS: mm (INCH)		TOLERANCES UNLESS OTHERWISE SPECIFIED: 0 PLG ±. 1 PLG ±. 2 PLG ±0.13 [0.005] 3 PLG ±. 4 PLG ±. ANGLES ±. MATERIAL FINISH		DWG: M.G. LENKER 06/29/95 CHK: C. DORWART 07/05/95 APP'D: R. WALTER 07/05/95 PRODUCT SPEC: 108-1228 APPLICATION SPEC: 114-40029 HEIGHT: - CUSTOMER DRAWING		AMP Incorporated Harrisburg, PA 17105-3608 RECEPTACLE ASSEMBLY, SHIELDED, RIGHT ANGLE, .050 SERIES, AMPLIMITE™ SIZE: A1 CAGE CODE: 00779 DRAWING NO: C=787525 SCALE: 4:1 SHEET: 1 OF 1 REV: J	
--------------------------	--	---	--	--	--	---	--