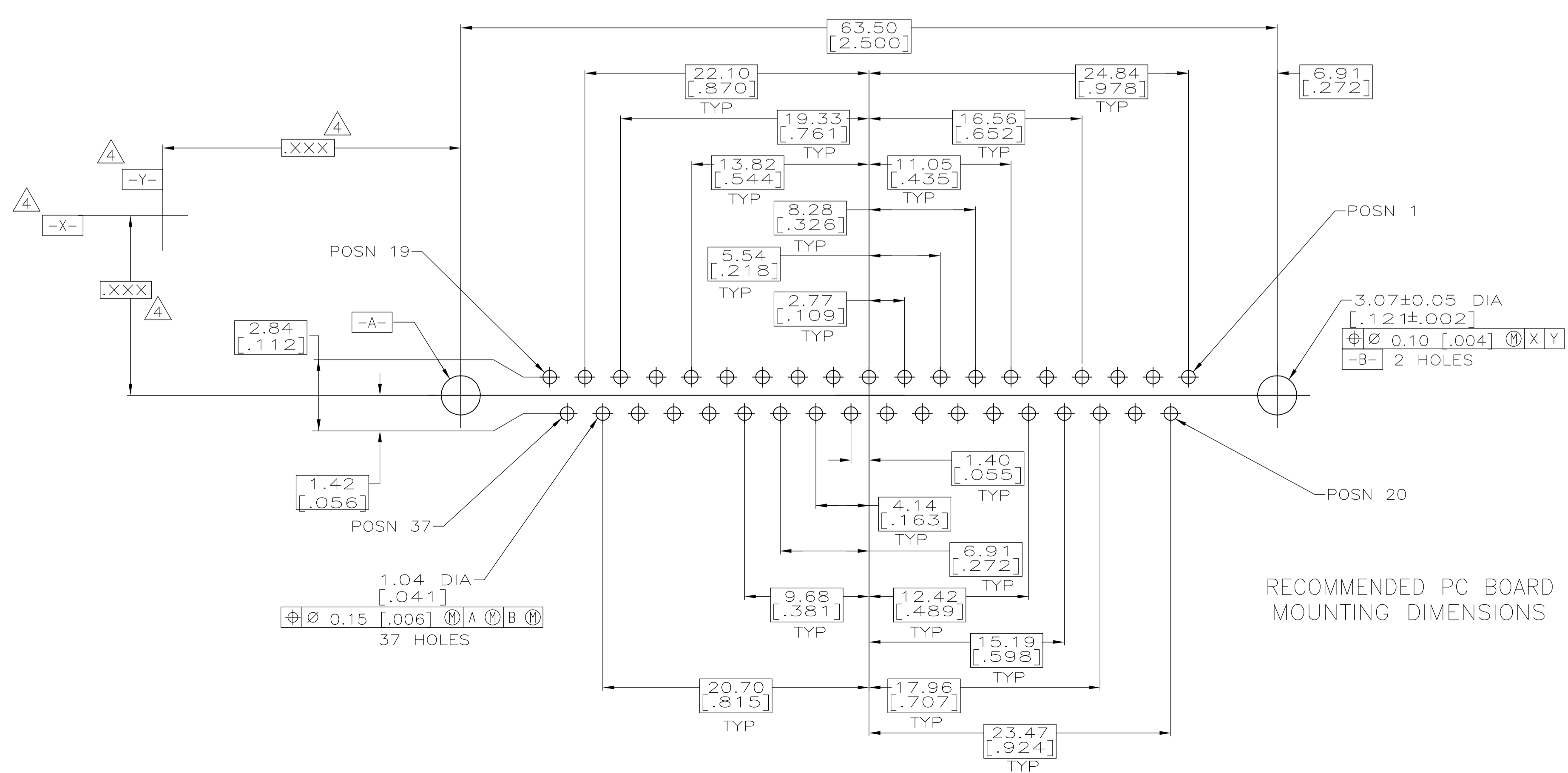
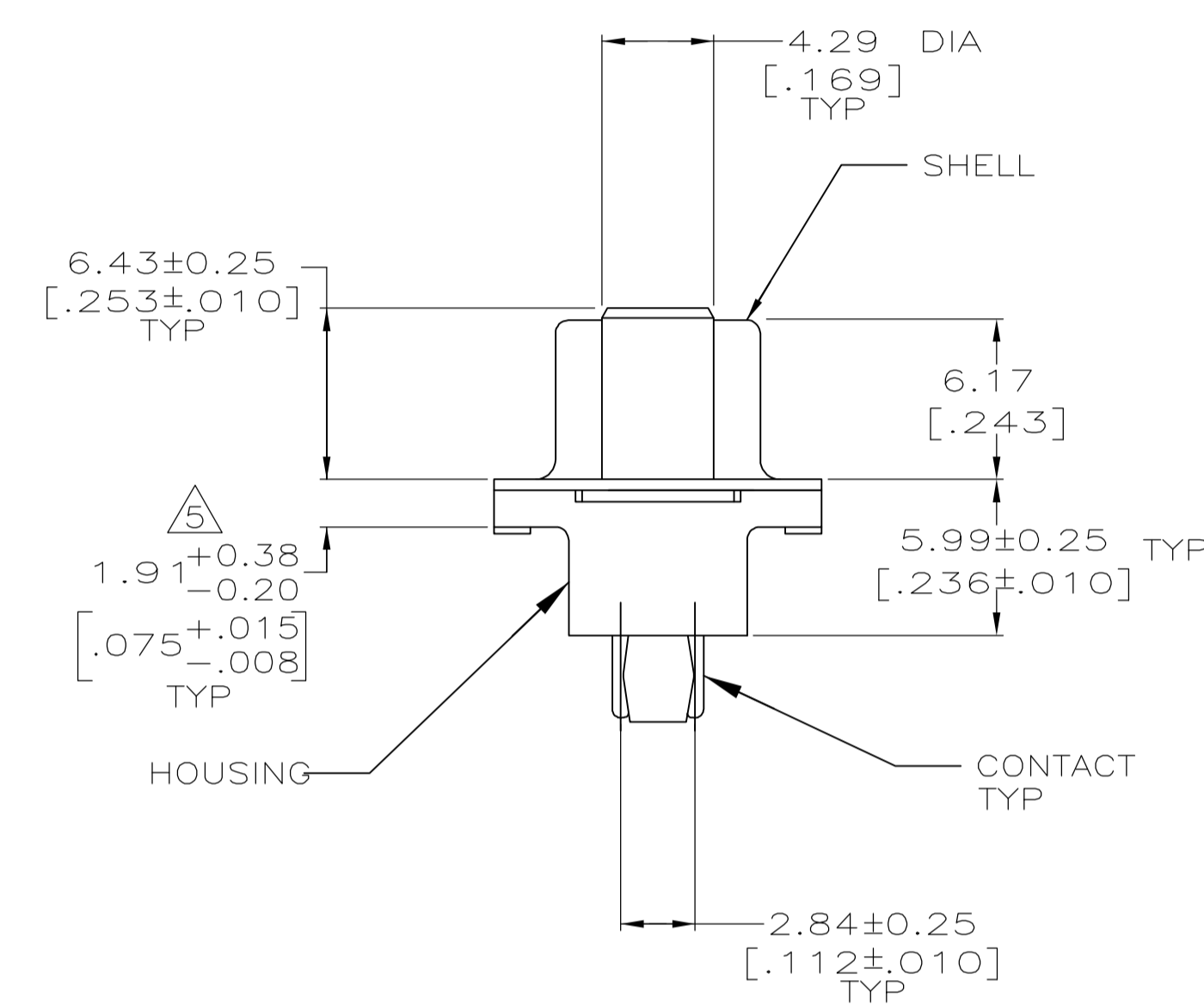
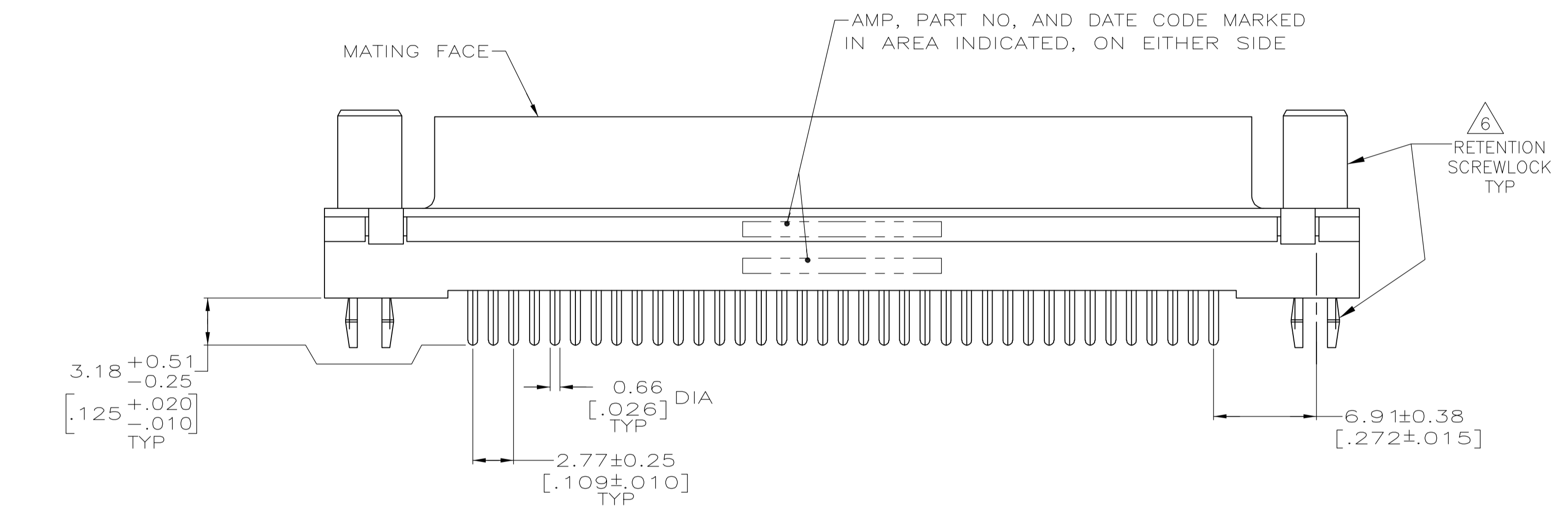


- △ HOUSING: POLYESTER, UL 94V-0 RATED, BLACK.
CONTACT: PHOSPHOR BRONZE.
SCREWLOCK: BRASS.
SHELL: CARBON STEEL PER ASTM A109.
- △ SHELL: 5.08um [.000200] MIN TIN OVER 2.54um [.000100] MIN COPPER.
CONTACT: 0.76um [.000030] MIN GOLD FOR A LENGTH OF 1.40 [.055] MIN FROM MATING END, 2.54um [.000100] MIN TIN OR TIN-LEAD ON OPPOSITE END, BOTH OVER 0.76um [.000030] MIN NICKEL.
SCREWLOCK: 2.54um [.000100] MIN TIN-LEAD OVER 1.27um [.000050] MIN NICKEL OVER COPPER FLASH.
- △ TIN PLATING PER MIL-T-10727, GOLD PLATING PER MIL-G-45204, NICKEL PLATING PER QQ-N-290, COPPER PLATING PER MIL-C-14550.
- △ DATUMS AND BASIC DIMENSIONS ESTABLISHED BY CUSTOMER.
- △ 2.79[.110] MAX IN SHELL TAB CLINCH AREAS.
- △ ORIENTATION IS OPTIONAL AND MAY NOT BE AS SHOWN.



RECOMMENDED PC BOARD MOUNTING DIMENSIONS

787685-1
PART NUMBER

THIS DRAWING IS A CONTROLLED DOCUMENT.		DWG: C. OBERMAN 12 FEB 96		Tyco Electronics Corporation Harrisburg, PA 17105-3608	
DIMENSIONS: mm [INCHES]		CHK: R. STONE 15 FEB 96		APPROV: B. TAYLOR 15 FEB 96	NAME: RECEPTACLE ASSEMBLY, SIZE 4, 37 POSITION, FRONT METAL SHELL, AMPLIMTE. HDP
TOLERANCES UNLESS OTHERWISE SPECIFIED:		0 PLC ± - 1 PLC ± - 2 PLC ± 0.13 [.005] 3 PLC ± - 4 PLC ± - ANGLES ± -		APPLICATION SPEC: 108-40025	
MATERIAL		FINISH		SIZE: A1	RESTRICTED TO: -
CUSTOMER DRAWING		SCALE: 4:1		SHEET 1 OF 1 REV E	