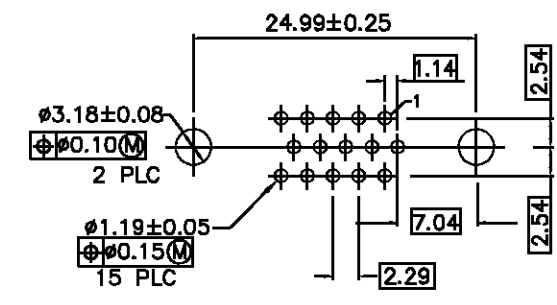
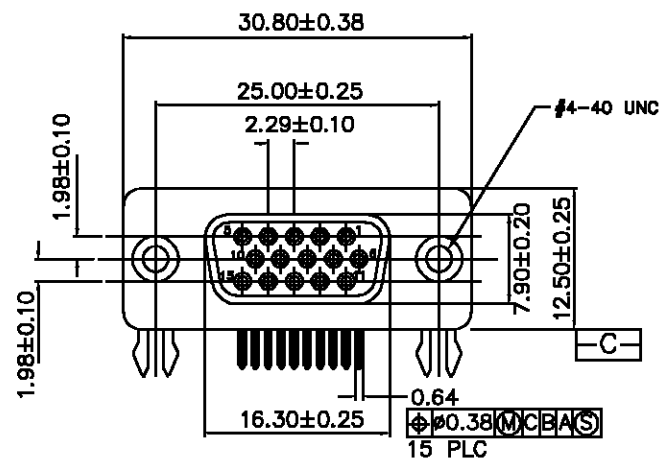


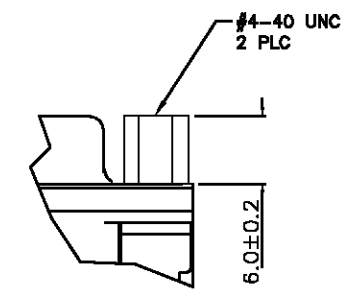
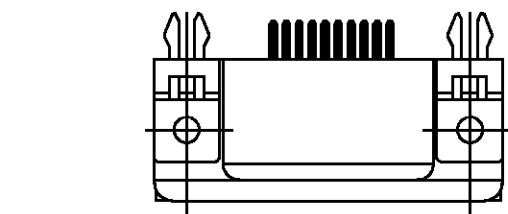
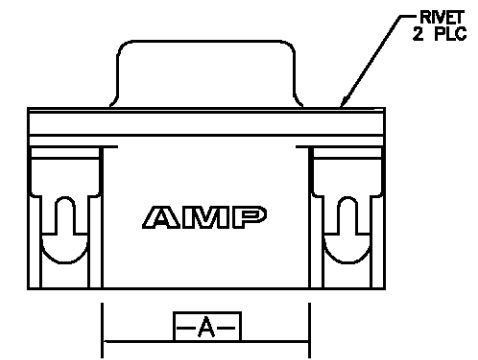
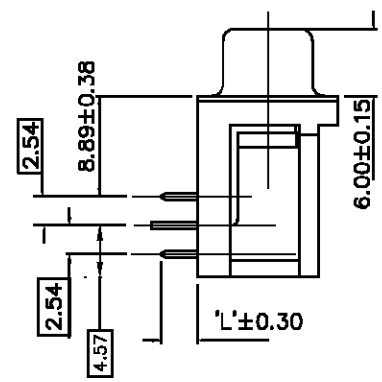
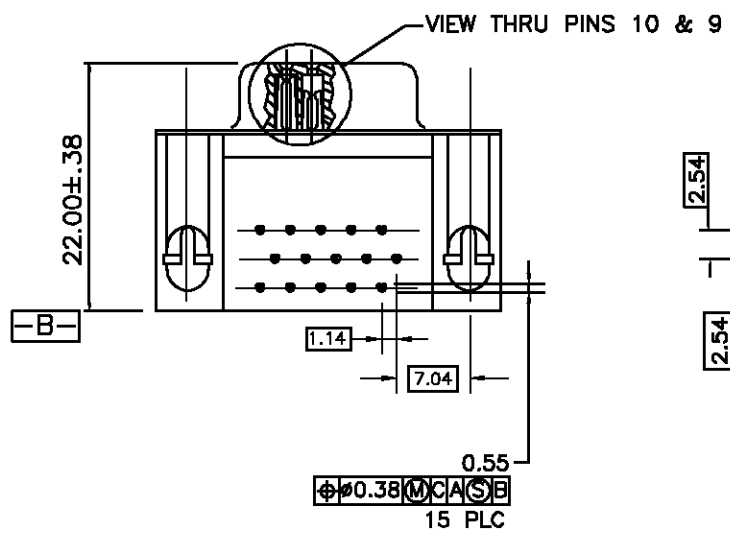
THIS DRAWING IS UNPUBLISHED. RELEASED FOR PUBLICATION
 © COPYRIGHT 19 BY AMP INCORPORATED. ALL RIGHTS RESERVED.

LOC	DIST	REVISIONS					
DW	0	P	LTR	DESCRIPTION	DATE	DWN	APVD
		G		REVISED, FZ00-0037-03	10FEB03	AW	JC



RECOMMENDED P.C. BOARD LAYOUT

- 1. HOUSING: THERMOPLASTIC, UL 94V-0 RATED, SEE TABLE FOR COLOR.
CONTACTS: PHOPHOR BRONZE OR BRASS.
SHELL: LOW CARBON STEEL.
BOARDLOCKS: BRASS.
RIVET: BRASS.
- 2. CONTACTS: GOLD FLASH ON MATING END OVER 1.27 MICRO METERS MIN NICKEL, 2.54 MICRO METERS MIN TIN-LEAD ON SOLDER TAILS OVER 1.27 MICRO METERS MIN NICKEL.
SHELL: NICKEL.
BOARDLOCK: TIN OR TIN-LEAD OVER NICKEL UNDERPLATE.
- 3. SPECIFICATIONS:
CURRENT RATING: 2 AMPS.
VOLTAGE RATING: 250 VAC.
DIELECTRIC WHITHSTANDING VOLTAGE: 1000 VAC(RMS)
INSULATION RESISTANCE: 1000 MEGOHMS MIN.
CONTACT RESISTANCE: 20 MILLIOHMS MAX.
OPERATING TEMPERATURE: -55° TO 130°C.
- 4. SPECIFICATIONS SUBJECT TO CHANGE WITHOUT NOTICE.
CONTACT AMP FOR THE LATEST SPECIFICATIONS.
- 5. CONTACTS: 0.25 MICRO METERS GOLD ON MATING END OVER 1.27 MICRO METERS MIN NICKEL, 2.54 MICRO METERS MIN TIN-LEAD ON SOLDER TAILS OVER 1.27 MICRO METERS MIN NICKEL.
SHELL: NICKEL.
BOARDLOCK: TIN OR TIN-LEAD OVER NICKEL UNDERPLATE.
- 6. CONTACTS: 0.381 MICRO METERS GOLD ON MATING END OVER 1.27 MICRO METERS MIN NICKEL, 2.54 MICRO METERS MIN TIN-LEAD ON SOLDER TAILS OVER 1.27 MICRO METERS MIN NICKEL.
SHELL: NICKEL.
BOARDLOCK: TIN OR TIN-LEAD OVER NICKEL UNDERPLATE.
- 7. CONTACTS: 0.762 MICRO METERS GOLD ON MATING END OVER 1.27 MICRO METERS MIN NICKEL, 2.54 MICRO METERS MIN TIN-LEAD ON SOLDER TAILS OVER 1.27 MICRO METERS MIN NICKEL.
SHELL: NICKEL.
BOARDLOCK: TIN OR TIN-LEAD OVER NICKEL UNDERPLATE.



DETAIL Z
(W/SCREWLOCKS OPTION)

300U BLUE	3.70	TRAY	7	RIVET, THREADED W/O SCREW	2-788624-4
300U BLUE	3.20	TRAY	7	RIVET, THREADED W/O SCREW	2-788624-3
661C BLUE	2.67	TRAY	7	RIVET, THREADED W/O SCREW	2-788624-2
661C BLUE	2.67	TRAY	2	W/FEMALE SCREWLOCKS (DETAIL Z)	1-788624-2
300U BLUE	3.20	TRAY	2	W/FEMALE SCREWLOCKS (DETAIL Z)	1-788624-1
BLACK	2.67	TUBE	6	W/FEMALE SCREWLOCKS (DETAIL Z)	788624-5
300U BLUE	3.20	TUBE	5	RIVET, THREADED W/O SCREW	788624-4
300U BLUE	3.20	TRAY	5	RIVET, THREADED W/O SCREW	788624-3
661C BLUE	2.67	TRAY	2	RIVET, THREADED W/O SCREW	788624-2
300U BLUE	3.20	TRAY	2	RIVET, THREADED W/O SCREW	788624-1
PANTONE COLOR	'L'	PACKAGING	FINISH	FASTENER OPTION	PART NO.

THIS DRAWING IS A CONTROLLED DOCUMENT.

DWN	A. WU	12MAR02	AMP Incorporated IPO
CHK	J. CHENG	12MAR02	
APVD	J. WU	12MAR02	
PRODUCT SPEC	NAME		
APPLICATION SPEC	RECEPTACLE ASM, SZ 1, 15 POSN, RT ANG FRONT METAL SHELL AMPLIMITE HD-22		RESTRICTED TO
WEIGHT	-	SIZE	A3
CUSTOMER DRAWING	SCALE	CAGE CODE	00779
	1.5:1	DRAWING NO	C-788624
		SHEET	1 OF 1
		REV	G