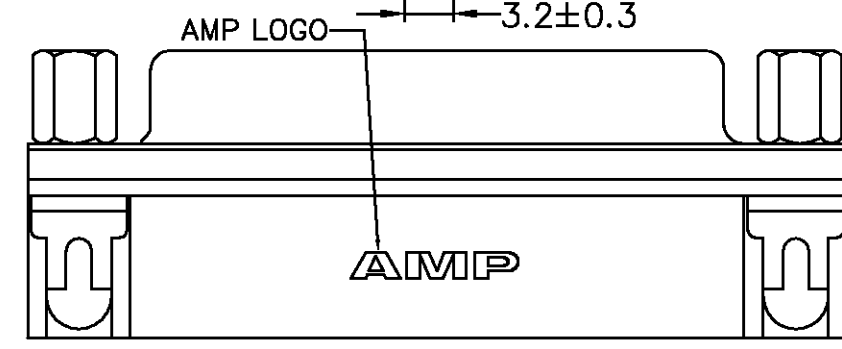
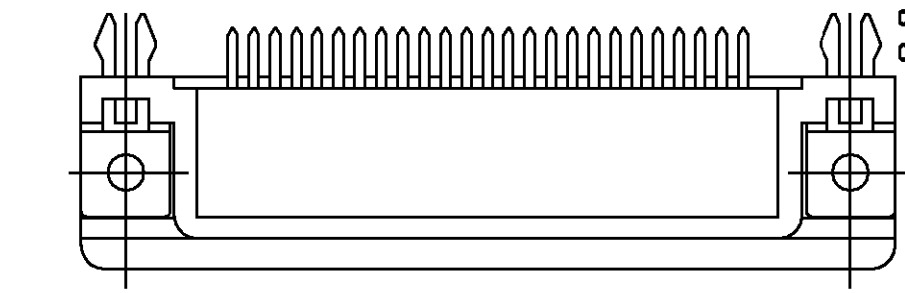
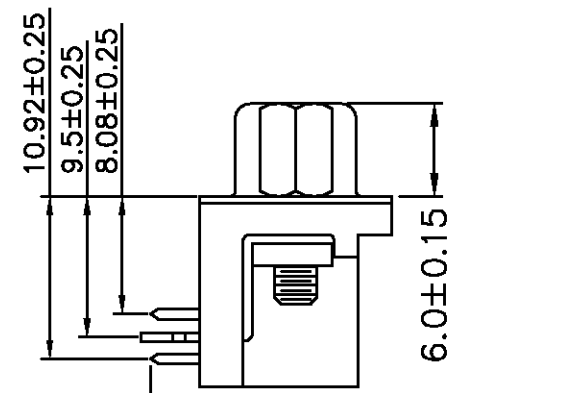
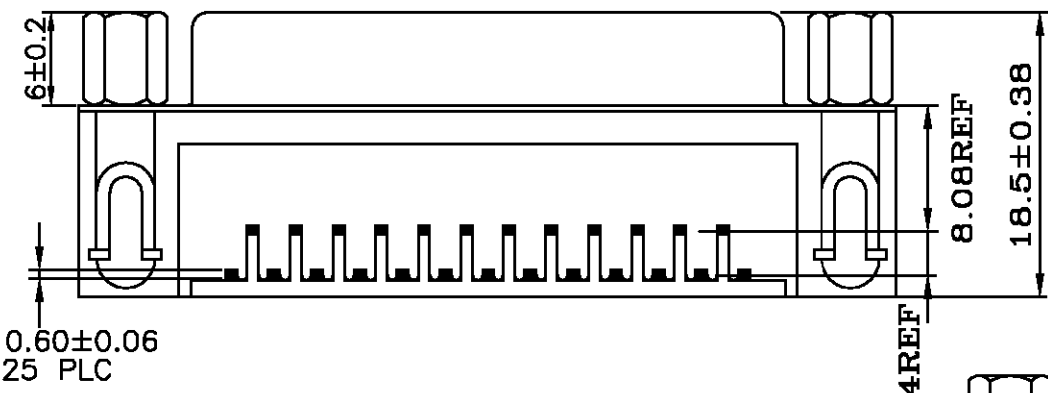
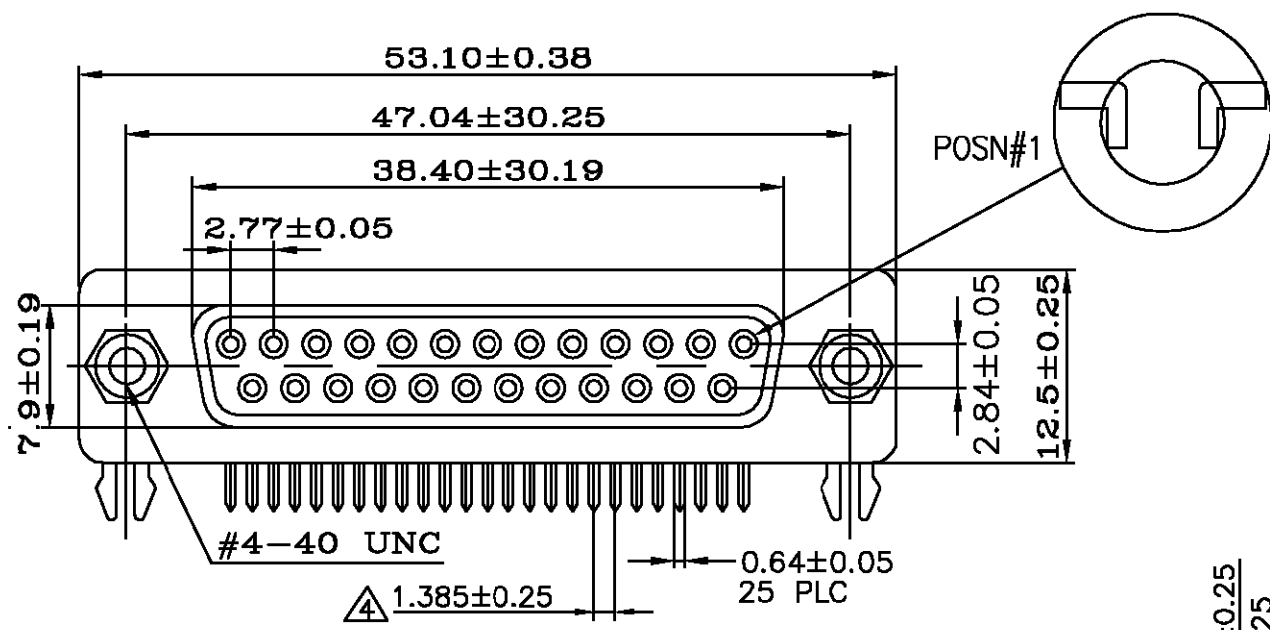
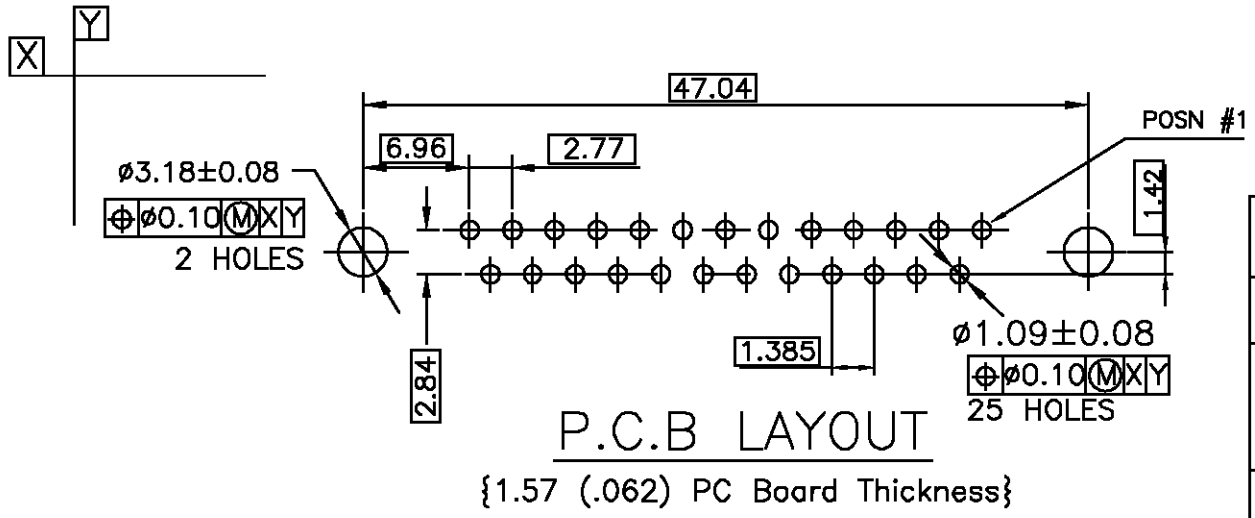


LOC	DIST	REVISIONS					
AD	00	P	LTR	DESCRIPTION	DATE	DWN	APVD
			0	NEW RELEASE	1SEPT99	MM	SG



- ① HOUSING: PBT, UL 94V-0 RATED, COLOR (SEE TABLE)
 CONTACTS: PHOSPHOR BRONZE.
 SHELL: STEEL.
 BOARDLOCKS: BRASS.
 THREADED INSERTS: BRASS.
 SCREWLOCK: BRASS.
- ② CONTACTS: GOLD PLATED (SEE TABLE) ON MATING END, 2.54µm[.000100in]
 MIN TIN-LEAD ON SOLDER TAILS ALL OVER 1.27µm[.000050in] MIN NICKEL
 ON ENTIRE CONTACT.
 SHELL: NICKEL PLATED.
 BOARDLOCK: TIN OR TIN-LEAD PLATED 2.54µm[.000100in]
 THREADED INSERT: NICKEL PLATED 0.76µm[.000030in].
 SCREWLOCK: NICKEL PLATED 0.76µm[.000030in].
- ③ SPECIFICATIONS:
 CURRENT RATING: 2 AMPS. (SIGNAL APPLICATION ONLY)
 VOLTAGE RATING: 250 VAC.
 DIELECTRIC WITHSTANDING VOLTAGE: 500 VAC(RMS).
 INSULATION RESISTANCE: 1000 MEGOHMS MIN.
 CONTACT RESISTANCE: 20 MILLIOHMS MAX.
 OPERATING TEMPERATURE: -55° TO 105°C.
 SCREWLOCK TORQUE:[1.0in-lb]MIN. UNLOCKING TORQUE.
- ④ DIMENSION IS NON-CUMULATIVE.
- 5. SPECIFICATIONS SUBJECT TO CHANGES WITHOUT NOTICE.
 CONTACT AMP FOR THE LATEST SPECIFICATIONS.

Packaging	Color	Contact Finish	AMP Part NO.
Tray	Black	0.38µm[.000015in]	788751-2
Tray	Black	Gold-Flash	788751-1



THIS DRAWING IS A CONTROLLED DOCUMENT.

DIMENSIONS: MM	TOLERANCES UNLESS OTHERWISE SPECIFIED: 0 PLC ± - 1 PLC ± 0.3 2 PLC ± 0.2 3 PLC ± 0.1 4 PLC ± - ANGLES ± -	DWN M.MORRIS 09SEP99	CHK S.GOOD 01SEP99	APVD S.GOOD 01SEP99	NAME RECEPTACLE ASSEMBLY, 25 POSN, RIGHT ANGLE, 8.08mm[0.318in] SERIES, AMPLIMITE, WITH SCREWLOCKS
MATERIAL SEE NOTES ①	FINISH SEE NOTES ②	PRODUCT SPEC SEE NOTES ③	APPLICATION SPEC -	WEIGHT -	SIZE A3
CUSTOMER DRAWING			SCALE 1:1	SHEET 1 OF 1	REV 0

AMP Incorporated
 Harrisburg, PA 17105-3608

AMP 1470-19 REV 23FEB95