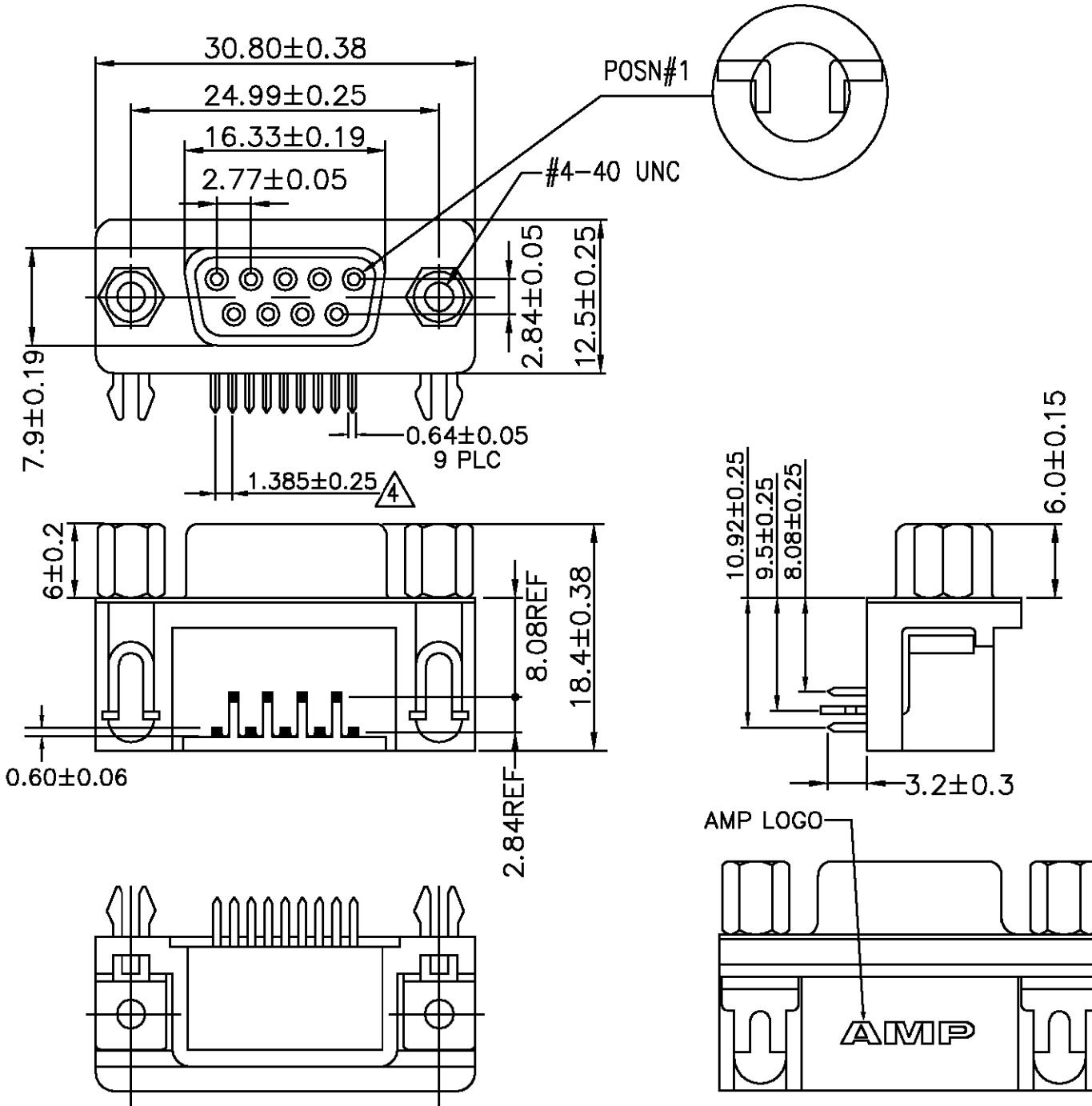
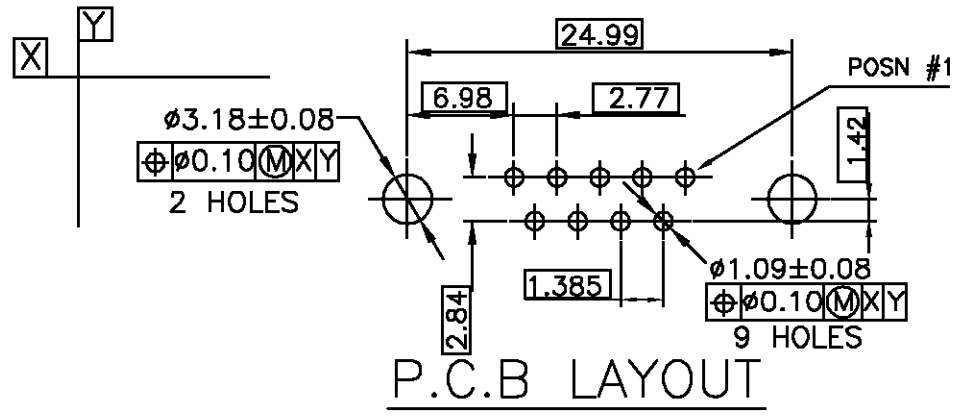


LOC	DIST	REVISIONS					
AD	00	P	LTR	DESCRIPTION	DATE	DWN	APVD
			0	NEW RELEASE	1SEPT99	MM	SG



- 1 HOUSING: PBT, UL 94V-0 RATED, COLOR (SEE TABLE)  
 CONTACTS: PHOSPHOR BRONZE.  
 SHELL: STEEL.  
 BOARDLOCKS: BRASS.  
 THREADED INSERTS: BRASS.  
 SCREWLOCK: BRASS.
- 2 CONTACTS: GOLD PLATED (SEE TABLE) ON MATING END, 2.54µm[.000100in]  
 MIN TIN-LEAD ON SOLDER TAILS ALL OVER 1.27µm[.000050in] MIN NICKEL  
 ON ENTIRE CONTACT.  
 SHELL: NICKEL PLATED.  
 BOARDLOCK: TIN OR TIN-LEAD PLATED 2.54µm[.000100in]  
 THREADED INSERT: NICKEL PLATED 0.76µm[.000030in].  
 SCREWLOCK: NICKEL PLATED 0.76µm[.000030in].
- 3 SPECIFICATIONS:  
 CURRENT RATING: 2 AMPS. (SIGNAL APPLICATION ONLY)  
 VOLTAGE RATING: 250 VAC.  
 DIELECTRIC WITHSTANDING VOLTAGE: 500 VAC(RMS).  
 INSULATION RESISTANCE: 1000 MEGOHMS MIN.  
 CONTACT RESISTANCE: 20 MILLIOHMS MAX.  
 OPERATING TEMPERATURE: -55° TO 105°C.  
 SCREWLOCK TORQUE:[1.0in-lb]MIN. UNLOCKING TORQUE.
- 4 DIMENSION IS NON-CUMULATIVE.
5. SPECIFICATIONS SUBJECT TO CHANGES WITHOUT NOTICE.  
 CONTACT AMP FOR THE LATEST SPECIFICATIONS.

Packaging	Color	Contact Finish	AMP Part NO.
Tray	Black	0.38µm[.000015in]	788756-2
Tray	Black	Gold-Flash	788756-1



THIS DRAWING IS A CONTROLLED DOCUMENT.

DIMENSIONS: MM	TOLERANCES UNLESS OTHERWISE SPECIFIED: 0 PLC ± - 1 PLC ± 0.3 2 PLC ± 0.2 3 PLC ± 0.1 4 PLC ANGLES ± -	DWN M.MORRIS 01SEPT99 CHK S.GOOD 01SEPT99 APVD S.GOOD 01SEPT99	AMP Incorporated Harrisburg, PA 17105-3608
MATERIAL SEE NOTES	FINISH SEE NOTES	PRODUCT SPEC APPLICATION SPEC	NAME RECEPTACLE ASSEMBLY, 9 POSN, RIGHT ANGLE, 8.08mm[0.318in] SERIES, AMPLIMITE, WITH SCREWLOCKS
		WEIGHT -	SIZE A3
			CAGE CODE 00779
			DRAWING NO 788756
			RESTRICTED TO -
			SCALE 1:1
			SHEET 1 OF 1
			REV 0

CUSTOMER DRAWING