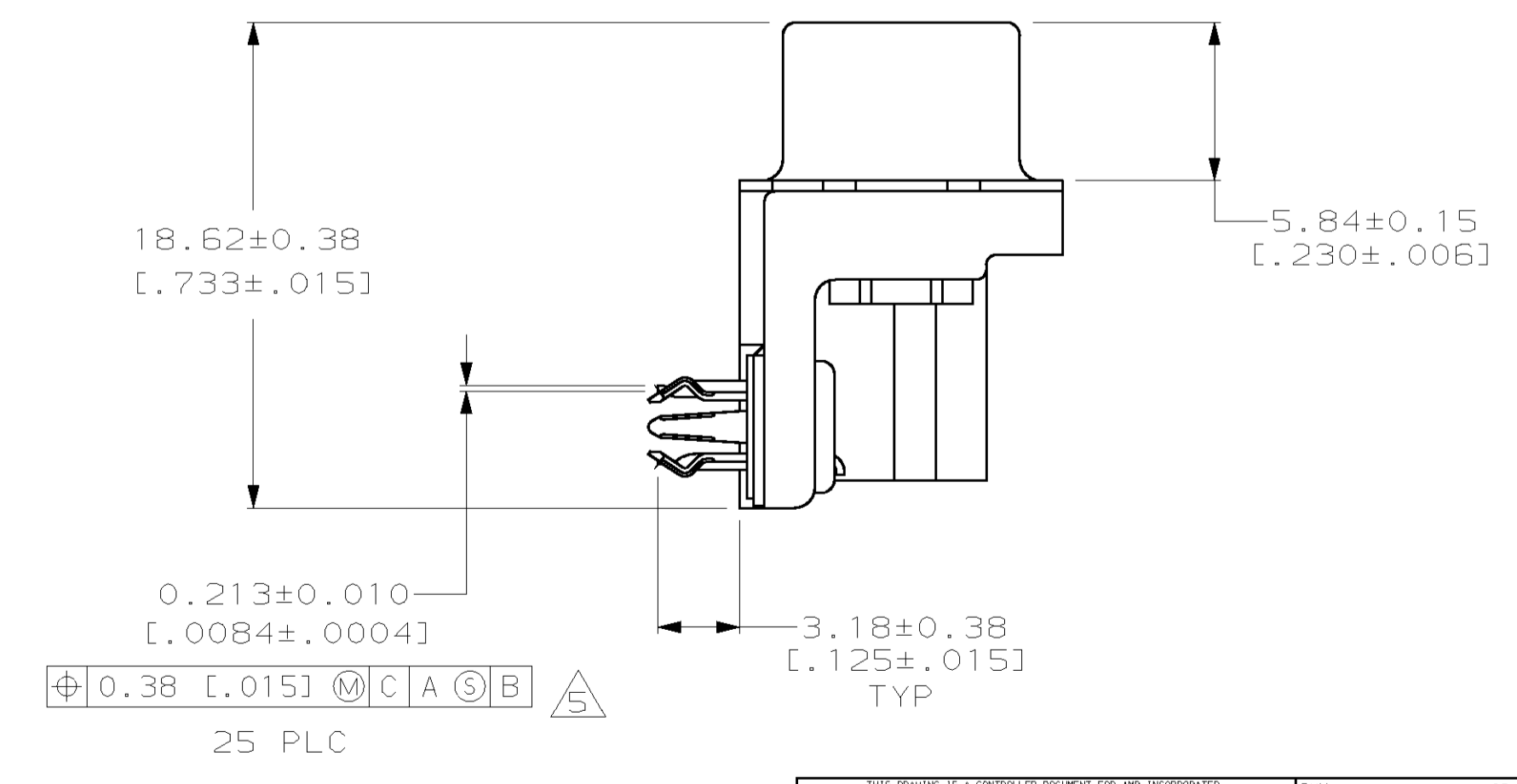
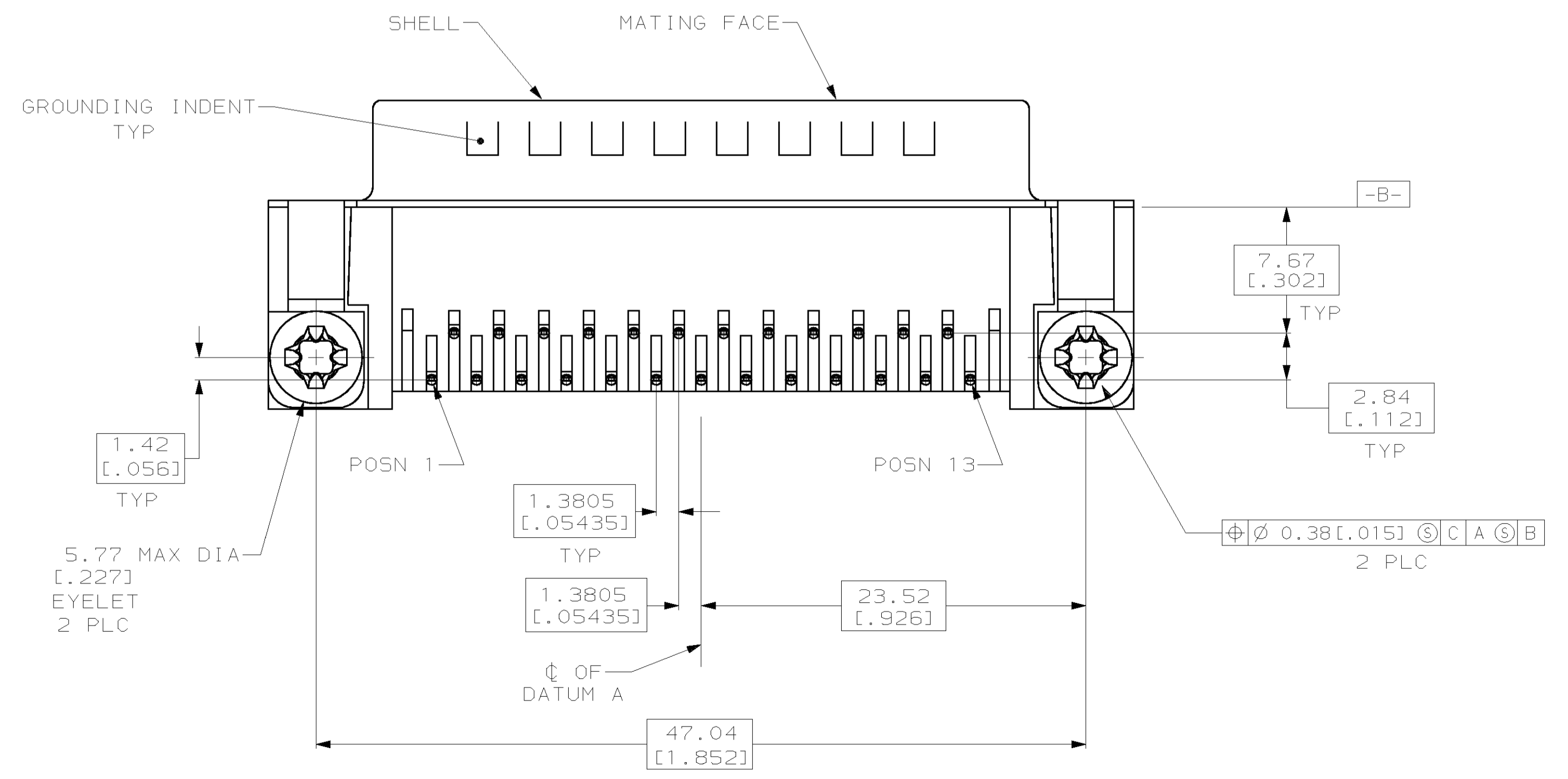
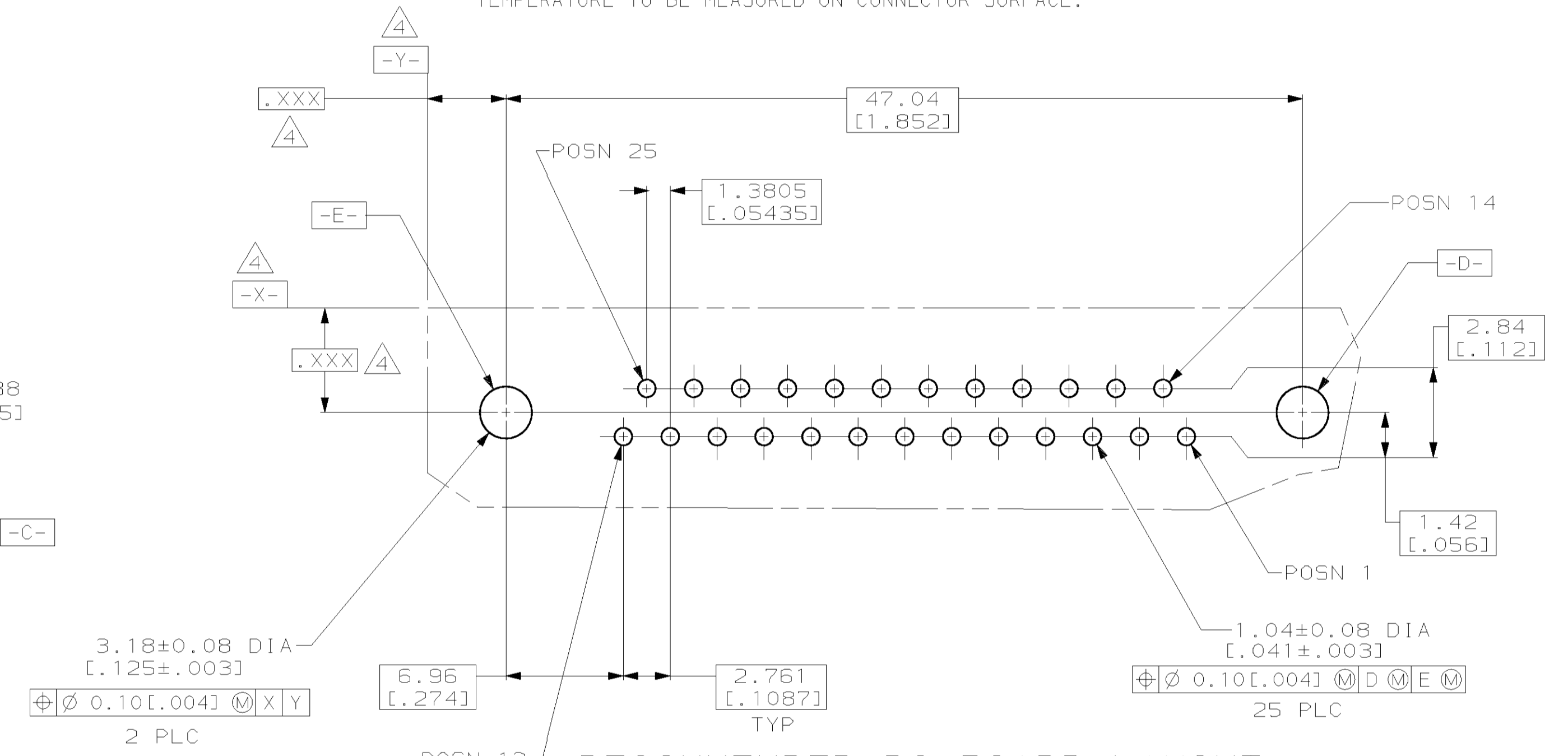
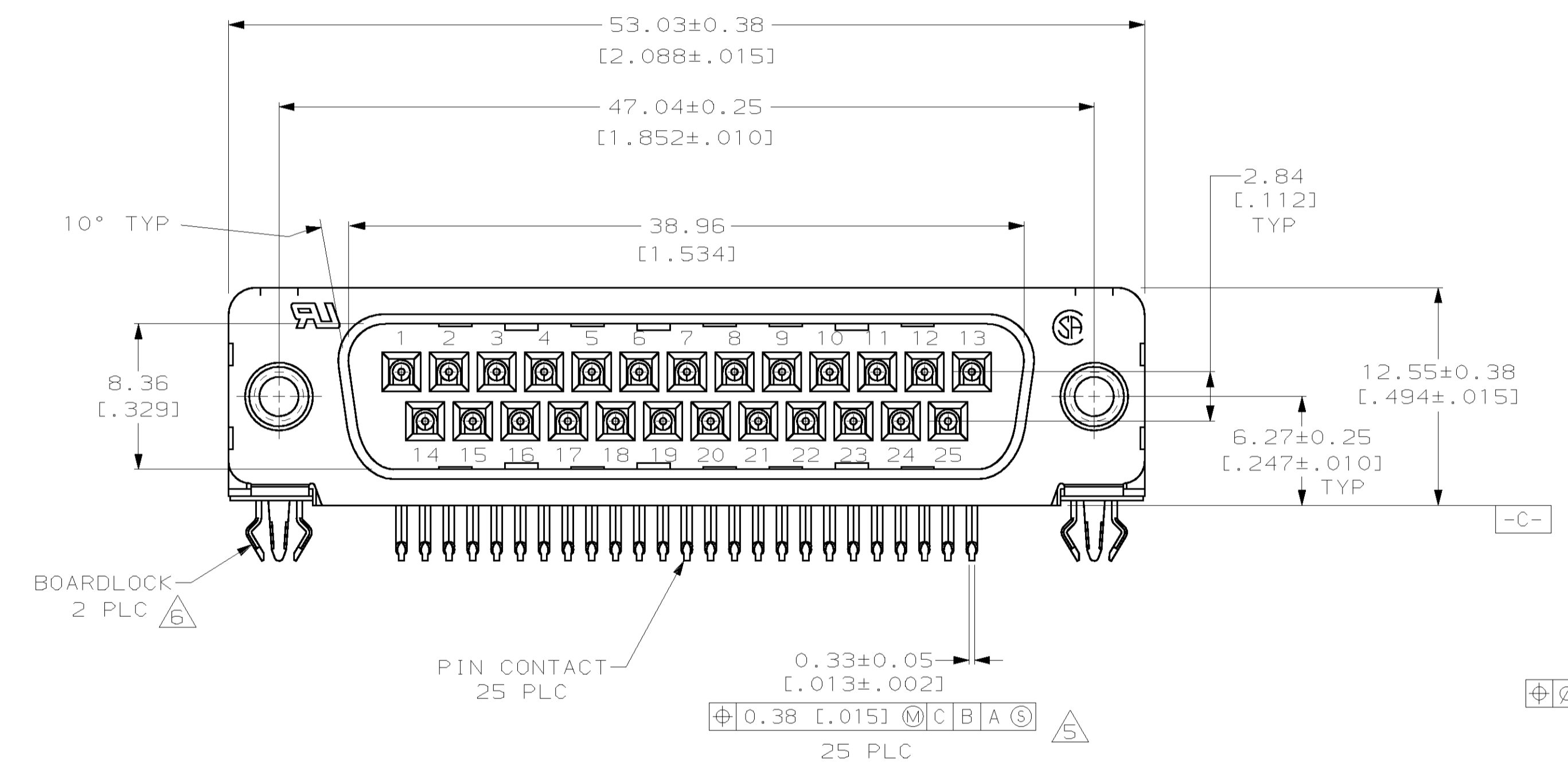
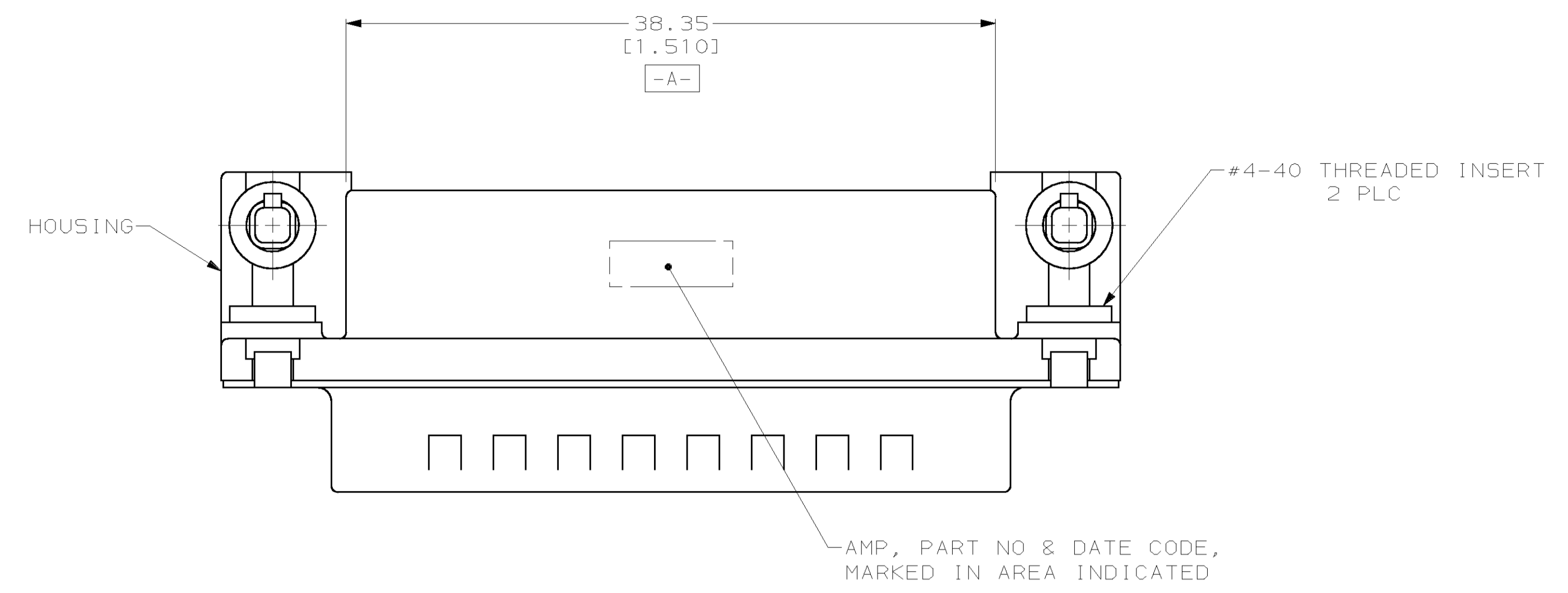


LOC		DIST		REVISONS			
BD	0	REV	DATE	BY	CHK	APVD	
0	RLSE -1 & -2 PER NPR 221	02	MAR 00	DB	JK		

- △ HOUSING: NYLON, THERMOPLASTIC, UL 94V0 RATED, BLACK; SHELL: CARBON STEEL PER ASTM A109; PIN CONTACTS: BRASS PER MIL-C-50; EYELETS: BRASS; THREADED INSERTS: ZINC; BOARDLOCKS: COPPER ALLOY.
- △ PIN CONTACTS: GOLD PLATED FOR A LENGTH OF 3.81 [1.50] MIN FROM MATING END, 0.76µm [0.00030] MIN GOLD IN MATED AREA, 2.54µm [0.00100] MIN TIN OR TIN-LEAD FOR A LENGTH OF 3.56 [1.40] MIN FROM OPPOSITE END, BOTH OVER 1.27µm [0.00050] MIN NICKEL.
EYELETS: 2.54µm [0.00100] MIN TIN-LEAD OR TIN OVER COPPER FLASH.
SHELL: 2.54µm [0.00100] MIN TIN OVER 1.27µm [0.00050] MIN COPPER.
THREADED INSERTS: CLEAR CHROMATE.
BOARDLOCKS: 3.81µm [0.00150] MIN TIN-LEAD OVER 1.27µm [0.00050] MIN NICKEL.
- △ PIN CONTACTS: GOLD PLATED FOR A LENGTH OF 3.81 [1.50] MIN FROM MATING END, GOLD FLASH IN MATED AREA, 2.54µm [0.00100] MIN TIN OR TIN-LEAD FOR A LENGTH OF 3.56 [1.40] MIN FROM OPPOSITE END, BOTH OVER 1.27µm [0.00050] MIN NICKEL.
EYELETS: 2.54µm [0.00100] MIN TIN-LEAD OR TIN OVER COPPER FLASH.
SHELL: 2.54µm [0.00100] MIN TIN OVER 1.27µm [0.00050] MIN COPPER.
THREADED INSERTS: CLEAR CHROMATE.
BOARDLOCKS: 3.81µm [0.00150] MIN TIN-LEAD OVER 1.27µm [0.00050] MIN NICKEL.
- △ DATUMS AND BASIC DIMENSIONS ESTABLISHED BY CUSTOMER.
- △ POSITION TOLERANCE APPLIES AT CONTACT TIP.
- △ BOARDLOCKS WILL ACCEPT .062 MAX PRINTED CIRCUIT BOARD THICKNESS.
- 7. COMPATIBLE WITH TYPICAL HIGH TEMPERATURE SOLDERING APPLICATIONS TO A MAXIMUM OF 225°C FOR A MAXIMUM DURATION OF 90 SECONDS. TEMPERATURE TO BE MEASURED ON CONNECTOR SURFACE.



△	788794-2
△	788794-1
FINISH	PART NO

THIS DRAWING IS A CONTROLLED DOCUMENT AND THE INFORMATION CONTAINED HEREIN IS UNCLASSIFIED EXCEPT WHERE SHOWN OTHERWISE. IT IS SUBJECT TO CHANGE AND THE CONTROLLING ENGINEERING ORGANIZATION SHALL BE CONTACTED FOR THE LATEST REVISION.		DWN O. BROCKWAY 02 MAR 00 CHK J. KOPPENHEFFER 03 MAR 00 APVD J. KOPPENHEFFER 03 MAR 00	AMP Incorporated Harrisburg, PA 17105-3608
DIMENSIONS: mm (INCHES)	TOLERANCES UNLESS OTHERWISE SPECIFIED: 0 PLC ±. 1 PLC ±. 2 PLC ±0.13 (.005) 3 PLC ±. 4 PLC ±. DIMENSIONS 12°	NAME PLUG ASSEMBLY, SIZE 3, .318 SERIES, WITH FRONT METAL SHELL, HIGH TEMPERATURE, AMPLIMITE™ HD-20	SIZE A1
MATERIAL SEE TABLE	FINISH CUSTOMER DRAWING	APPLICATION SPEC 108-40025 APPLICATION SPEC 114-40010	DRAWING NO 788794 SCALE 4:1 SHEET 1 OF 1 REV 0