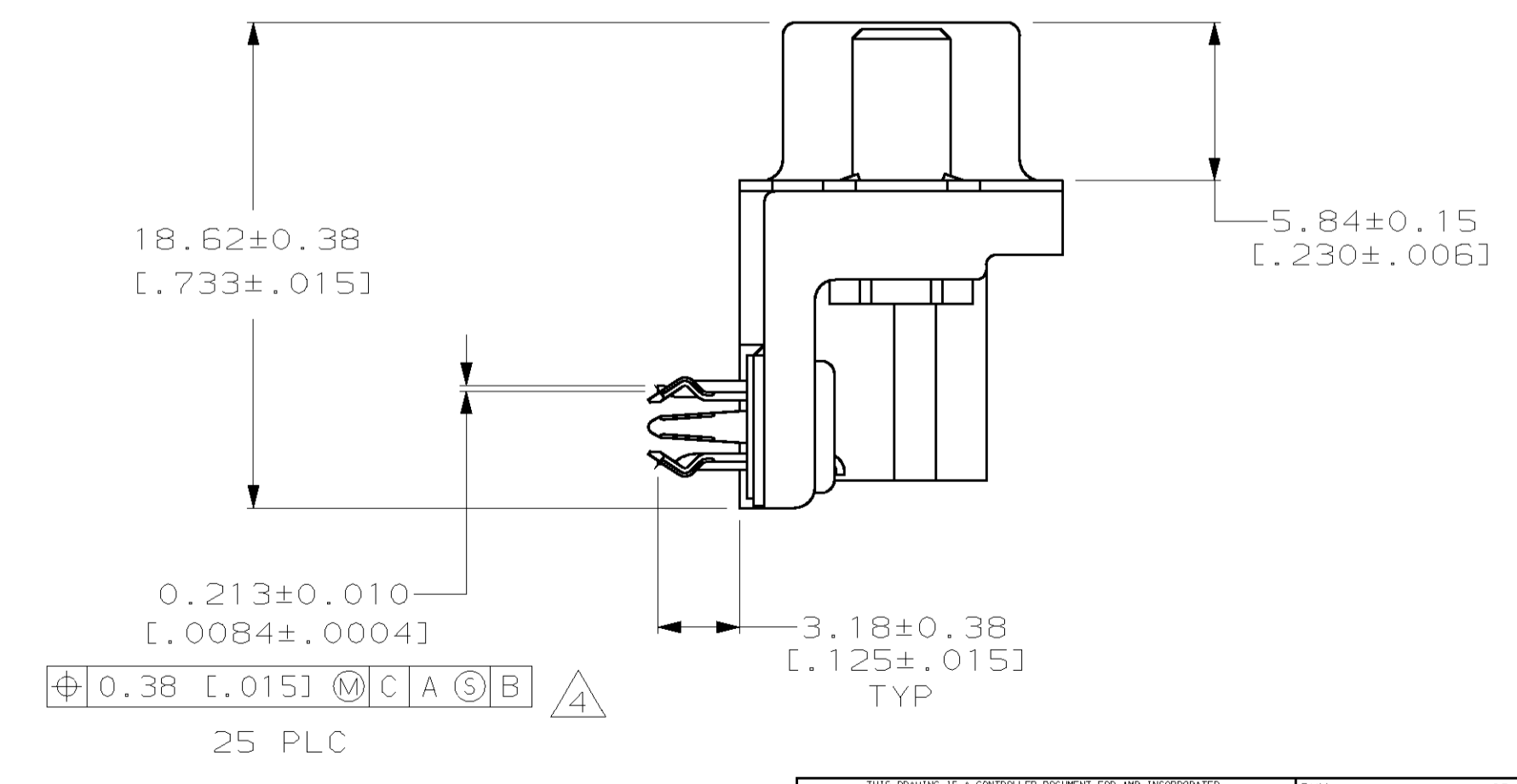
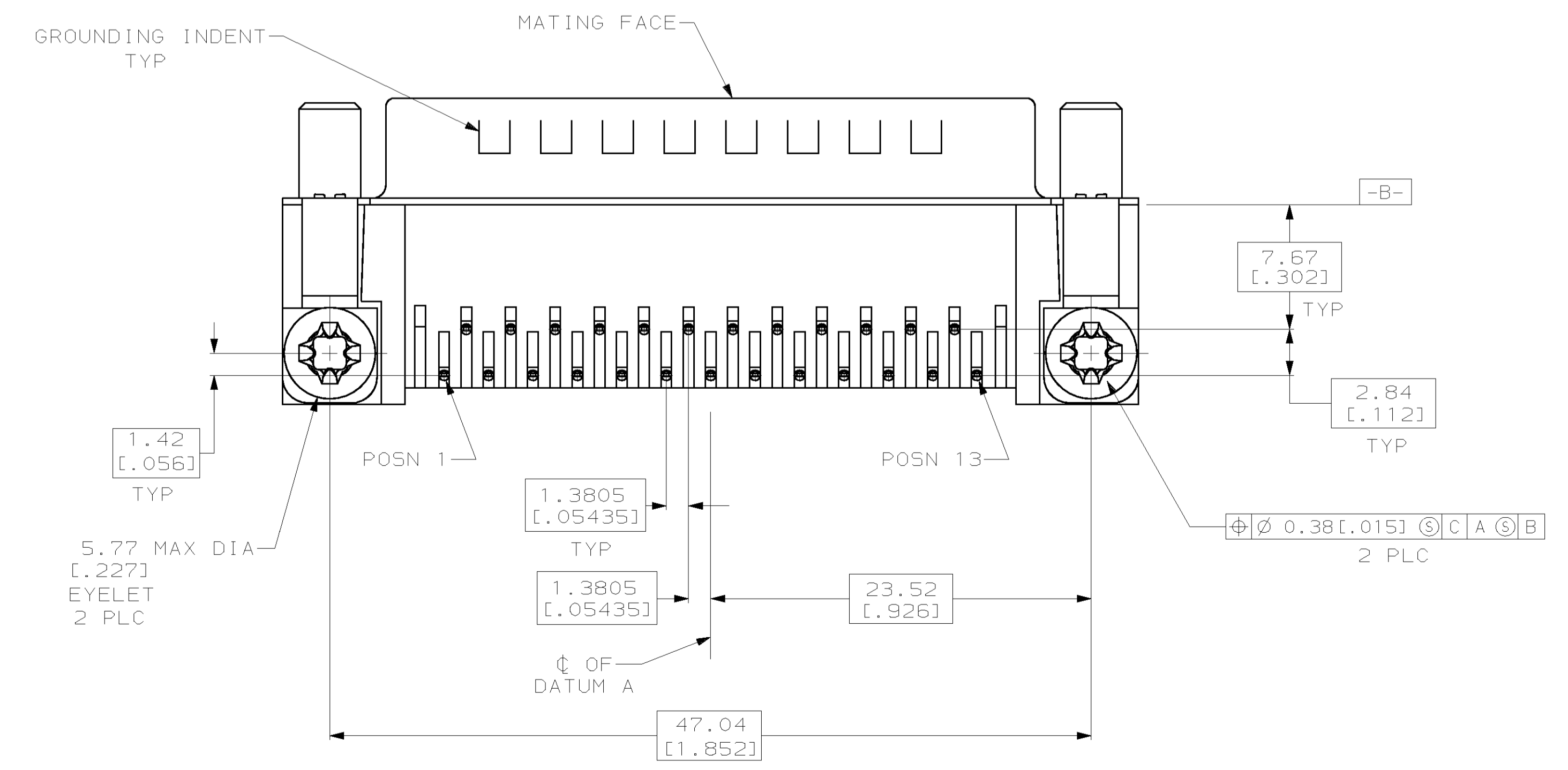
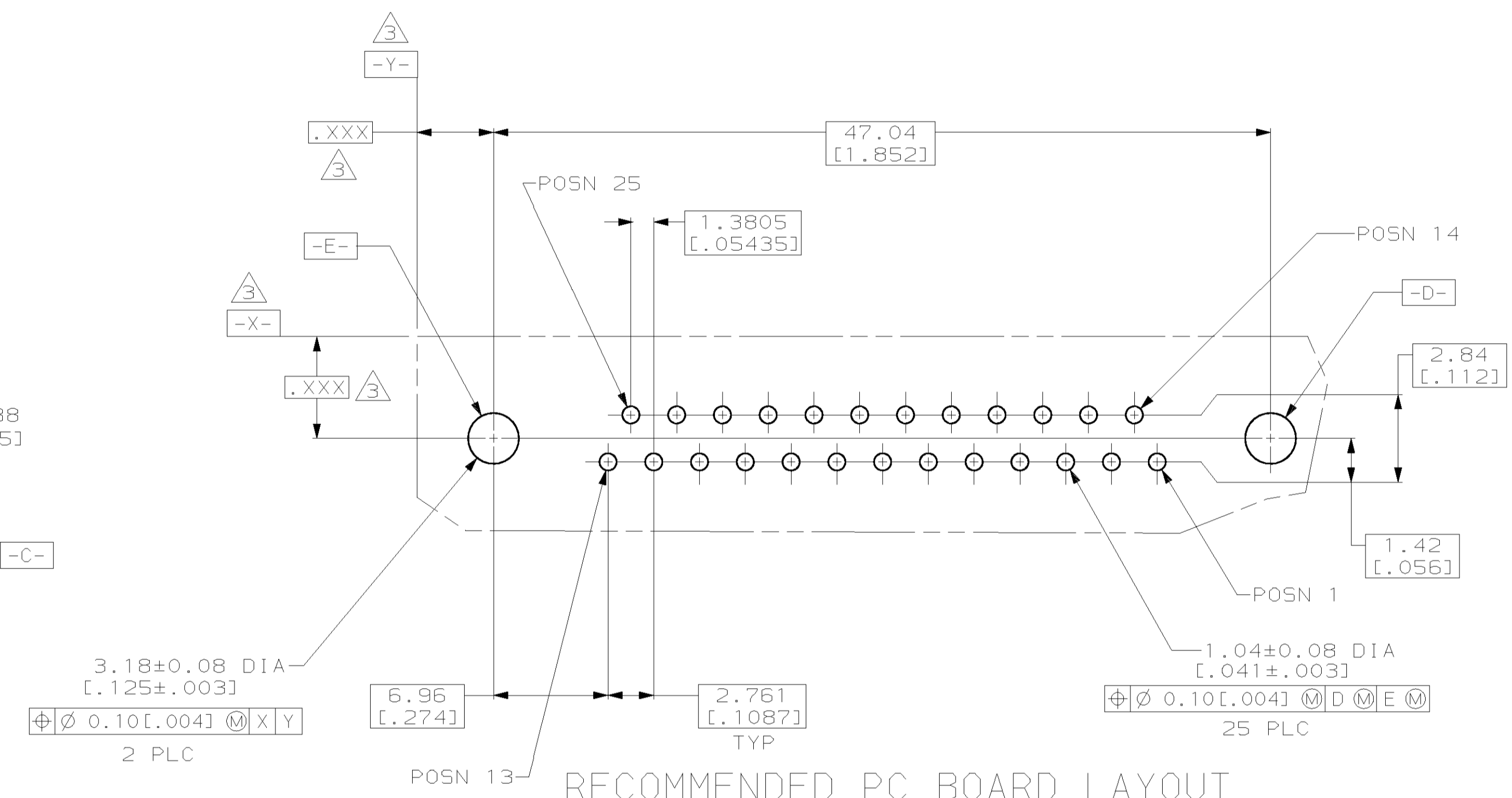
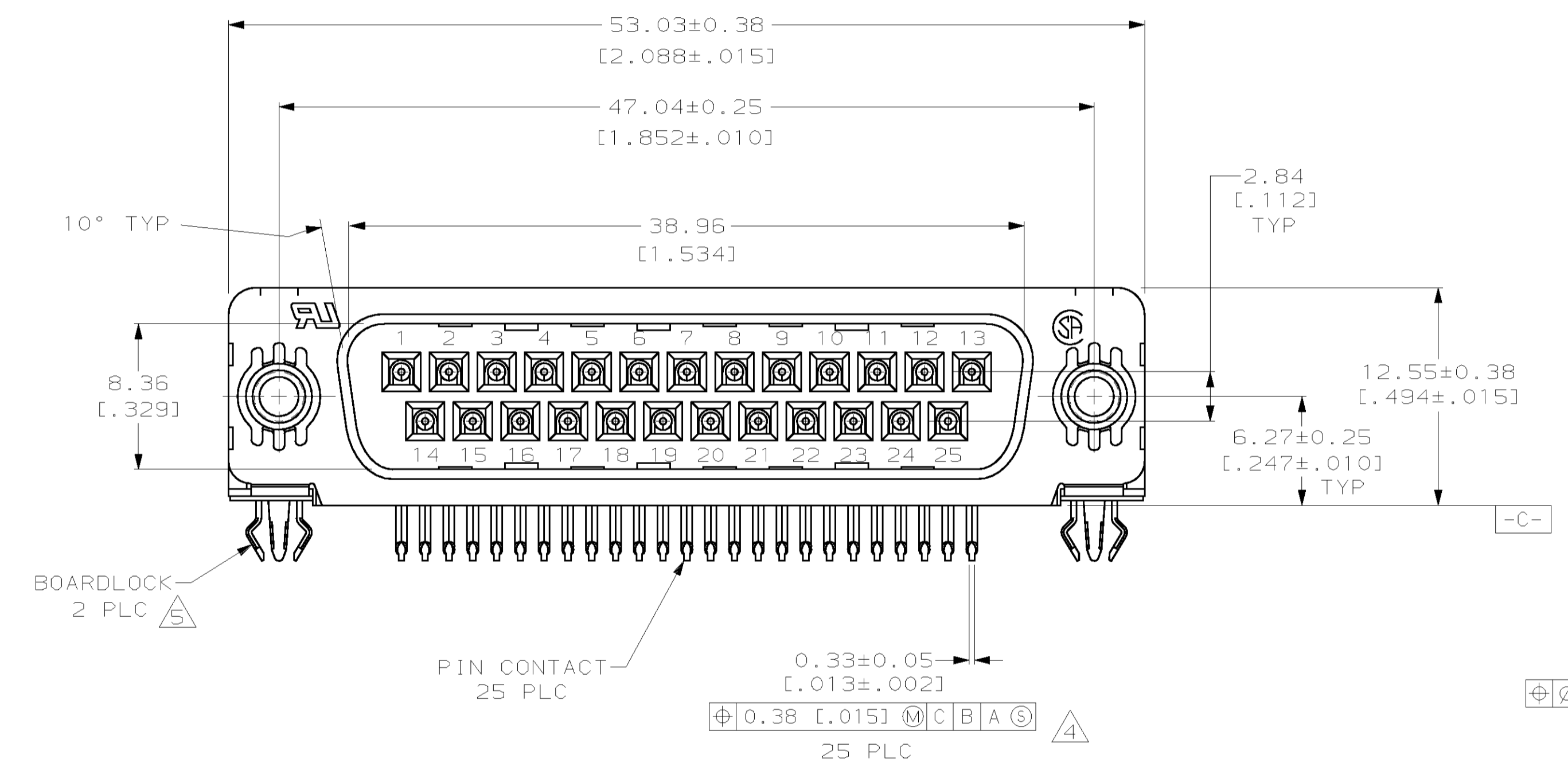
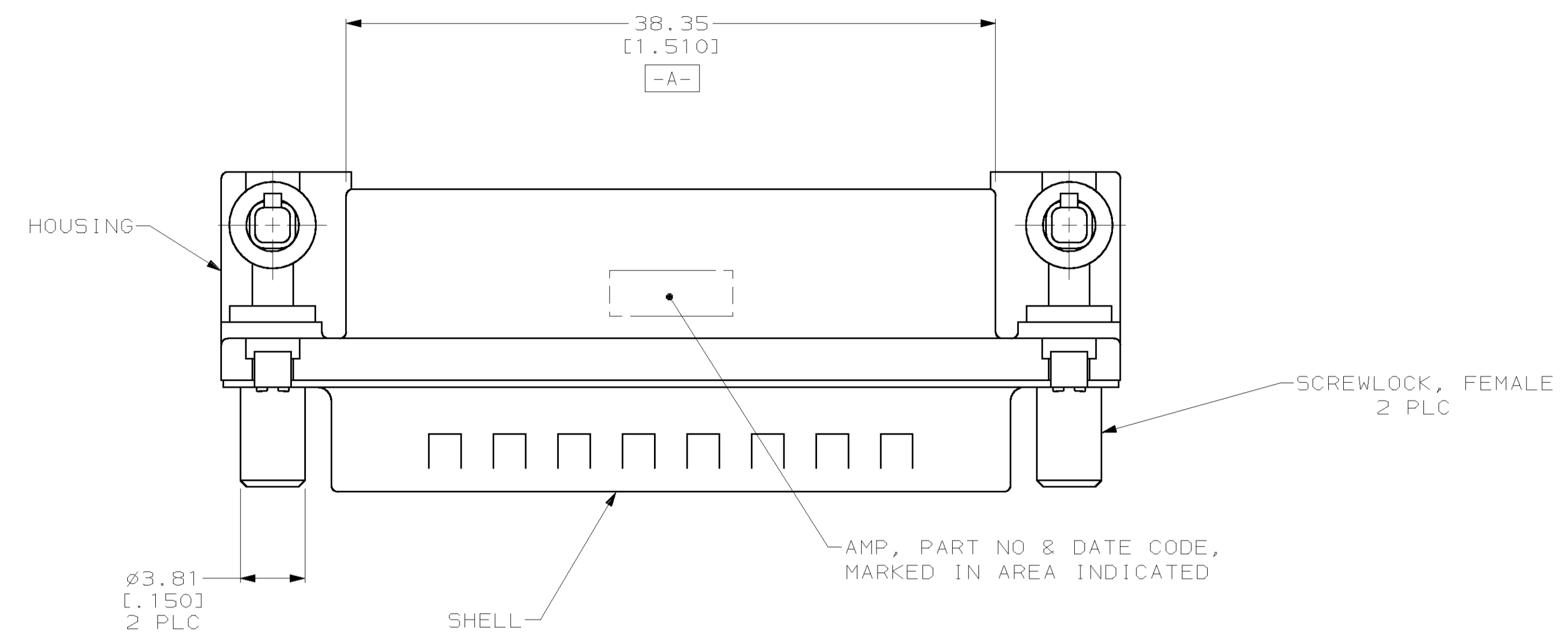


LOC	DIST	REV	DESCRIPTION	DATE	ENR	APVD
BD	0	0	RLSE -1 PER NPR 221	06 MAR 00	DB	JK

- △ HOUSING: NYLON, THERMOPLASTIC, UL 94V0 RATED, BLACK; SHELL: CARBON STEEL PER ASTM A109; PIN CONTACTS: BRASS PER MIL-C-50; EYELETS: BRASS; SCREWLOCKS: ZINC; BOARDLOCKS: COPPER ALLOY.
- △ PIN CONTACTS: GOLD PLATED FOR A LENGTH OF 3.81 [1.150] MIN FROM MATING END, 0.76µm [0.00030] MIN GOLD IN MATED AREA, 2.54µm [0.00100] MIN TIN OR TIN-LEAD FOR A LENGTH OF 3.56 [1.140] MIN FROM OPPOSITE END, BOTH OVER 1.27µm [0.00050] MIN NICKEL.
- △ EYELETS: 2.54µm [0.00100] MIN TIN-LEAD OR TIN OVER COPPER FLASH. SHELL: 2.54µm [0.00100] MIN TIN OVER 1.27µm [0.00050] MIN COPPER. SCREWLOCKS: CLEAR CHROMATE. BOARDLOCKS: 3.81µm [0.00150] MIN TIN-LEAD OVER 1.27µm [0.00050] MIN NICKEL.
- △ DATUMS AND BASIC DIMENSIONS ESTABLISHED BY CUSTOMER.
- △ POSITION TOLERANCE APPLIES AT CONTACT TIP.
- △ BOARDLOCKS WILL ACCEPT .062 MAX PRINTED CIRCUIT BOARD THICKNESS.
- 6. COMPATIBLE WITH TYPICAL HIGH TEMPERATURE SOLDERING APPLICATIONS TO A MAXIMUM OF 225°C FOR A MAXIMUM DURATION OF 90 SECONDS. TEMPERATURE TO BE MEASURED ON CONNECTOR SURFACE.



788795-1
PART NO

DIMENSIONS: mm (INCHES)		TOLERANCES UNLESS OTHERWISE SPECIFIED: 0 PLC ±. 1 PLC ±. 2 PLC ±0.13 [0.005] 3 PLC ±. 4 PLC ±. ANGLES 13°		DWG: D. BROCKWAY 06 MAR 00 CHK: J. KOPPENHEFFER 09 MAR 00 APVD: J. KOPPENHEFFER 08 MAR 00		AMP AMP Incorporated Harrisburg, PA 17105-3608	
MATERIAL: △		FINISH: △		NAME: PLUG ASSEMBLY, SIZE 3, .318 SERIES, WITH FRONT METAL SHELL, HIGH TEMPERATURE, AMPLIMITE™ HD-20		SIZE: A1 CAGE CODE: 00779 DRAWING NO: 788795	
WEIGHT: -		CUSTOMER DRAWING		SCALE: 4:1		SHEET: 1 OF 1 REV: 0	