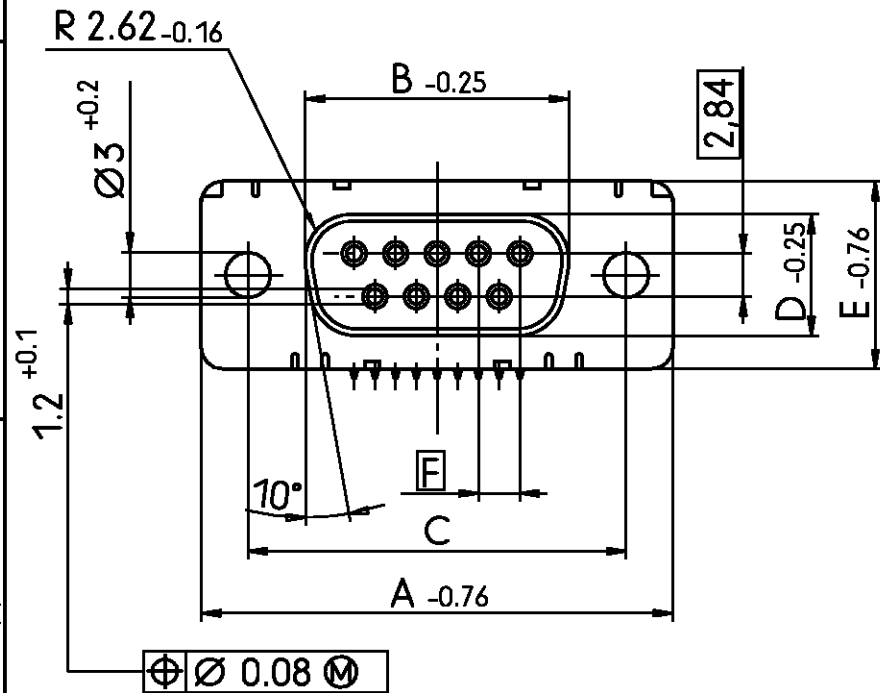


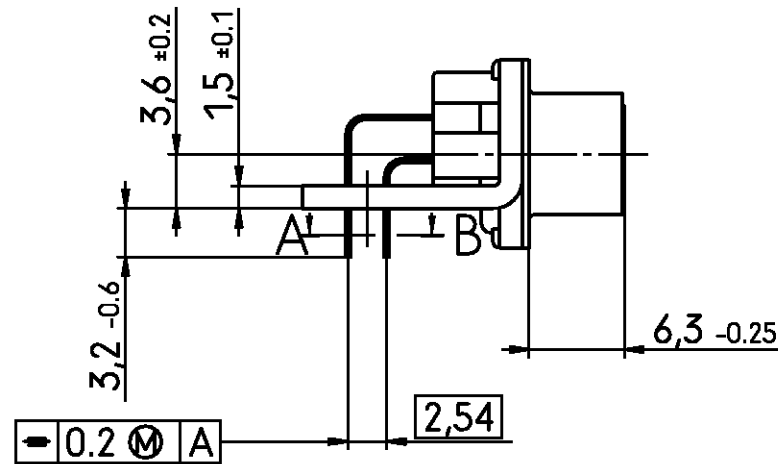
THIS INFORMATION IS CONFIDENTIAL AND PROPRIETARY TO TYCO ELECTRONICS CORPORATION AND ITS WORLDWIDE SUBSIDIARIES AND AFFILIATES. IT MAY NOT BE DISCLOSED TO ANYONE, OTHER THAN TYCO ELECTRONICS PERSONNEL, WITHOUT WRITTEN AUTHORIZATION FROM TYCO ELECTRONICS CORPORATION, HARRISBURG PENNSYLVANIA USA

PROPRIETARY:

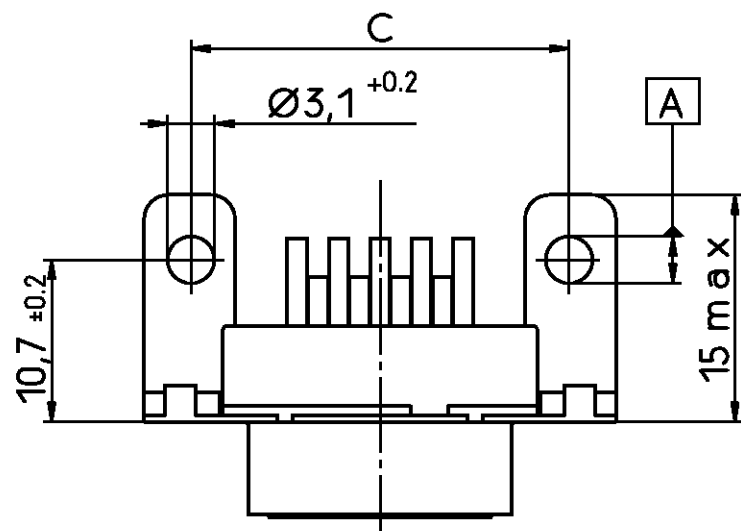
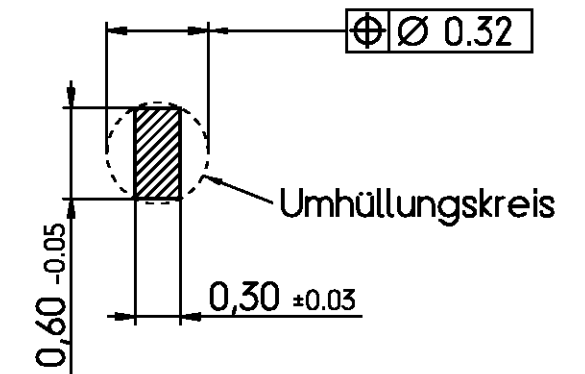
Standardausführung: V23529-Bx121-Bxxx-+  
Standardversion



Einbauhöhe  
Mounting height



Schnitt AB des Lötanschlusses  
Cross-section AB of solderpin  
(20:1)



Ordercode Sachnr	Contacts Polzahl	Mass / Dimension					
		A	B	C	D	E	F
..-Bx09-+	09	31.19	16.46	25.0 +0.12 -0.13	8.02	12.93	2.74
..-Bx15-+	15	39.52	24.79	33.3 +0.15 -0.1			2.74
..-Bx25-+	25	53.42	38.5	47.04 +0.13 -0.13			2.76
..-Bx37-+	37	69.7	54.96	63.5 +0.13 -0.13			2.76

Anforderungsstufe/Performance level <sup>1)</sup>

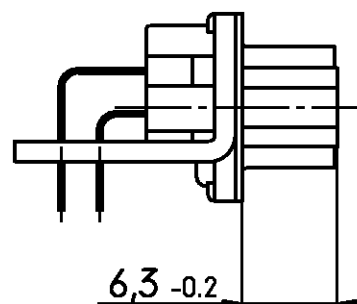
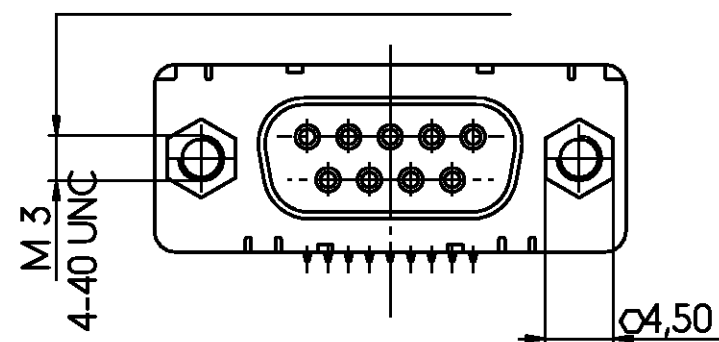
1) nach DIN 41652 T.2 und T.4  
according to DIN 41652 T.2 and T.4

<b>tyco</b>		TYCO ELECTRONICS CORPORATION		SCALE 2:1 (20:1)		WEIGHT	
<b>Electronics</b>		OOSTKAMP - BELGIUM		DIMENSIONS IN MM		MATERIAL	
		DATE 29.03.89		PART NAME			
		NAME Embo		Buchsenleiste			
		DEP. PD COM		Einbauhöhe 3.6 mm (Variante 1) <sup>1)</sup>			
				Socketconnector-90° solderversion (Type 1) <sup>1)</sup>			
				PART NO.		SHT. 1+	
				V23529-B*****-B***-*-7427			
REV. CHANGE ORDER		DATE		APP.		Customer Drawing Nr. C 1-1393480-7	
						OF 6	

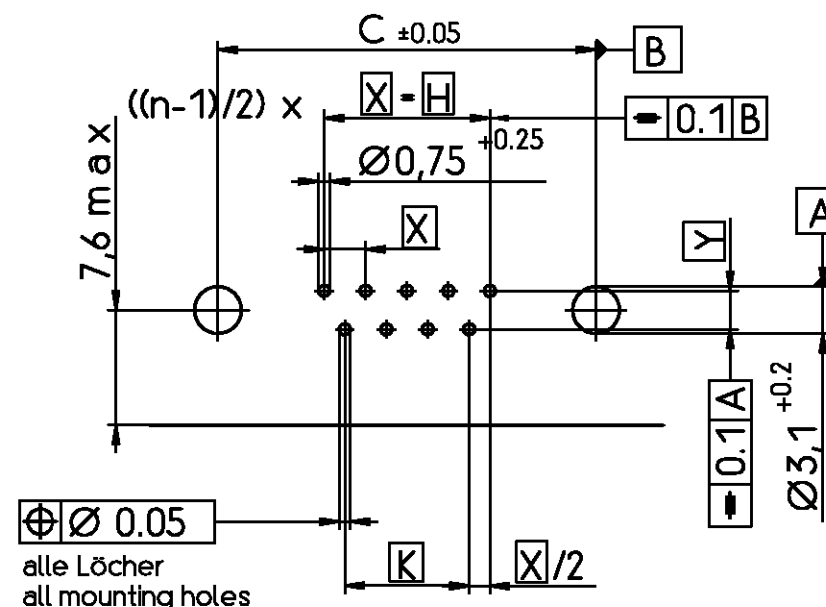
PROPRIETARY: THIS INFORMATION IS CONFIDENTIAL AND PROPRIETARY TO TYCO ELECTRONICS CORPORATION AND ITS WORLDWIDE SUBSIDIARIES AND AFFILIATES. IT MAY NOT BE DISCLOSED TO ANYONE, OTHER THAN TYCO ELECTRONICS PERSONNEL, WITHOUT WRITTEN AUTHORIZATION FROM TYCO ELECTRONICS CORPORATION, HARRISBURG PENNSYLVANIA USA

mit Gewindebolzen : M3 V23529-Bxx24-Bxxx-+  
with threadlock 4-40 UNC V23529-Bxx25-Bxxx-+

Verdrehsicherheit  $\geq 70$  Ncm  
torsionresistance

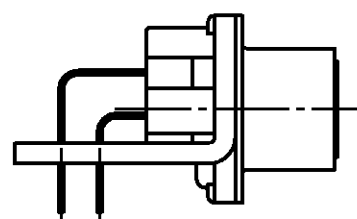
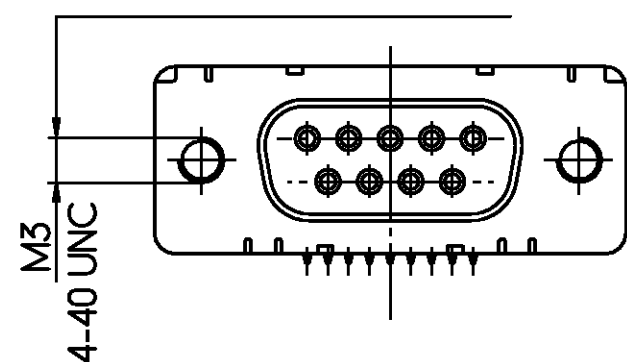


Leiterplattenbohrung  
PCB hole pattern



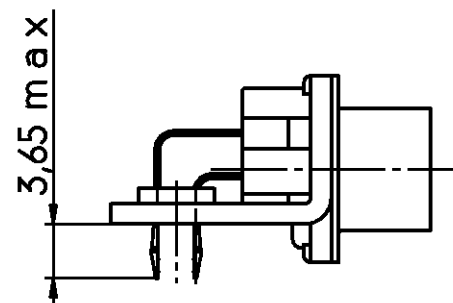
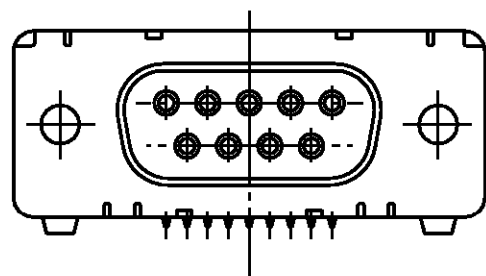
mit Gewinde : M3 V23529-Bxx22-Bxxx-+  
with thread 4-40 UNC V23529-Bxx23-Bxxx-+

Verdrehsicherheit  $\geq 70$  Ncm  
torsionresistance



Mass Dimension	Polzahl n Number of contacts n			
	9	15	25	37
C	25	33.3	47.04	63.5
H	10.96	19.18	33.12	49.68
K	8.22	16.44	30.36	46.92
X	2.74	2.74	2.76	2.76
Y	2.54			

mit Clipbefestigung V23529-Bx22x-Bxxx-+  
with snap-in



LP-Dicke 1,6 ±0,13 mm , Loch Ø3.1<sup>+0.2</sup>  
PC-board-thickness 1,6 ±0,13mm , Hole Ø3,1<sup>+0.2</sup>

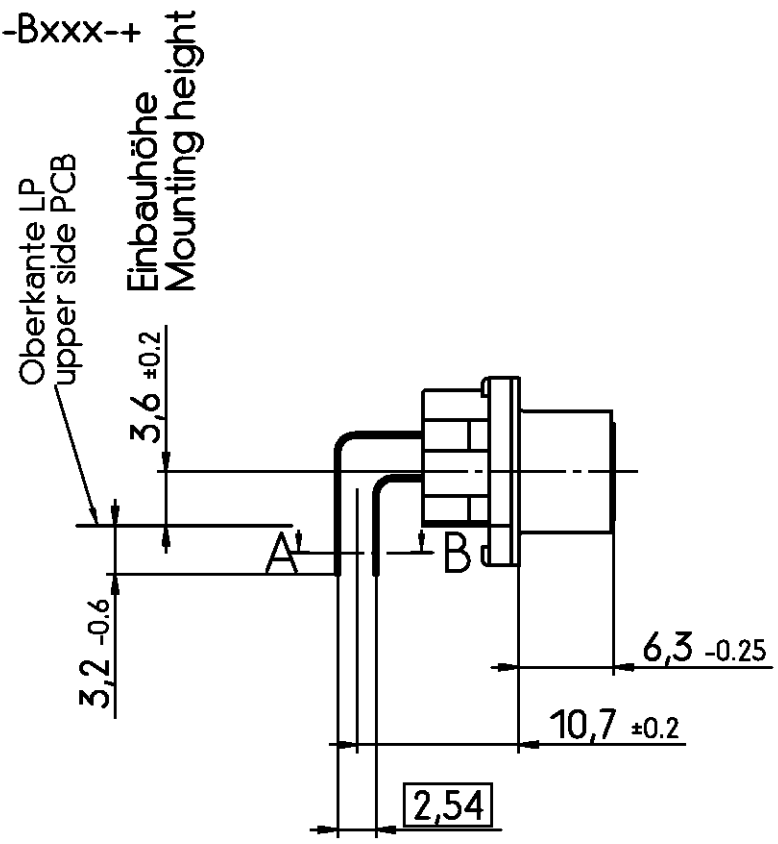
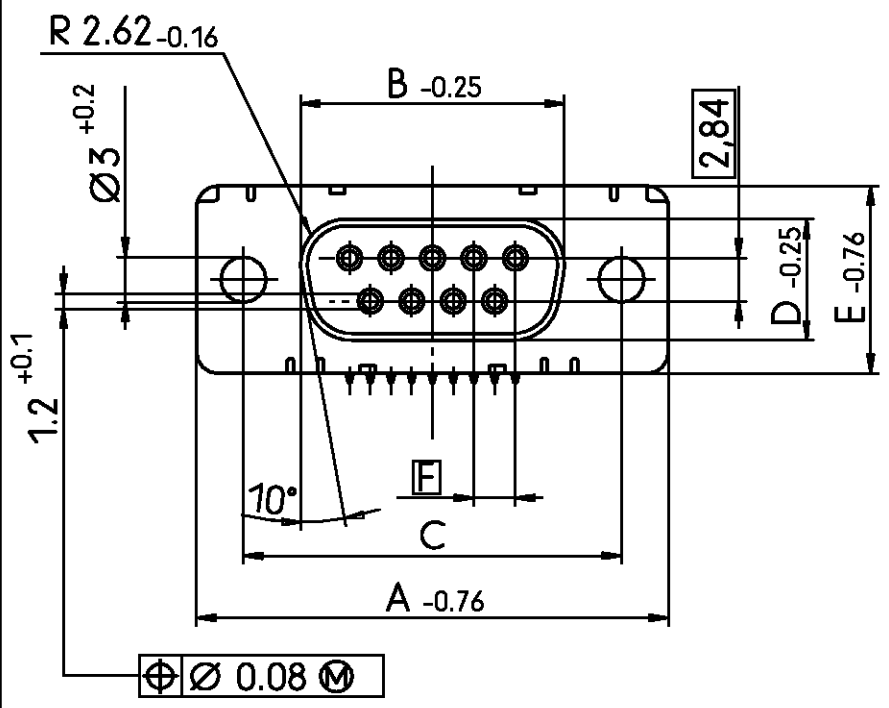
1) nach DIN 41652 T.2 und T.4  
according to DIN 41652 T.2 and T.4

<b>tyco</b> TYCO ELECTRONICS CORPORATION		SCALE 2:1		WEIGHT
OOSTKAMP - BELGIUM		DIMENSIONS IN MM		MATERIAL
DATE 29.03.89		PART NAME		Buchsenleiste Einbauhöhe 3.6 mm (Variante 1) <sup>1)</sup> Socketconnector-90° solder version (Type 1) <sup>1)</sup>
NAME Embo		PART NO.		
DEP. PD COM		V23529-B****-B****-*-7427		
TOLERANCE UNLESS SPECIFIED OTHERWISE		SHT. 2+		
A3 see page 1	REV. CHANGE ORDER	DATE	APP.	Customer Drawing Nr. C 1-1393480-7 OF 6

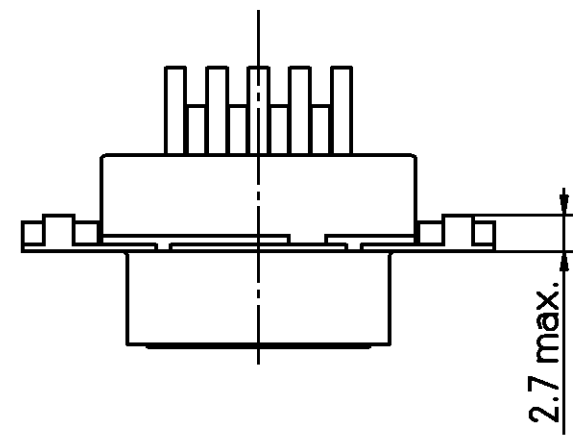
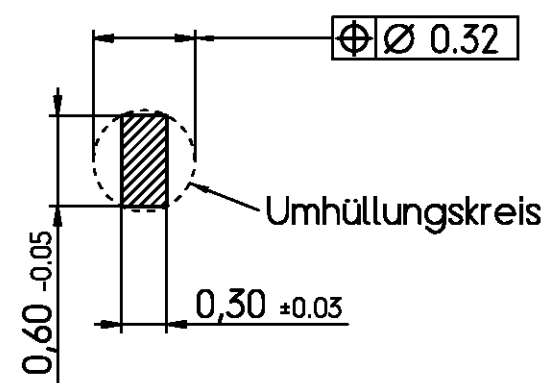
THIS INFORMATION IS CONFIDENTIAL AND PROPRIETARY TO TYCO ELECTRONICS CORPORATION AND ITS WORLDWIDE SUBSIDIARIES AND AFFILIATES. IT MAY NOT BE DISCLOSED TO ANYONE, OTHER THAN TYCO ELECTRONICS PERSONNEL, WITHOUT WRITTEN AUTHORIZATION FROM TYCO ELECTRONICS CORPORATION, HARRISBURG PENNSYLVANIA USA

PROPRIETARY:

Standardausführung ohne Winkel: V23529-B50x1-Bxxx-+  
 Standardversion without bracket



Schnitt AB des Lötanschlusses  
 Cross-section AB of solderpin  
 (20:1)



Ordercode Sachnr	Contacts Polzahl	Mass / Dimension					
		A	B	C	D	E	F
..-Bx09-+	09	31.19	16.46	25.0 <sup>+0.12</sup> <sub>-0.13</sub>	8.02	12.93	2.74
..-Bx15-+	15	39.52	24.79	33.3 <sup>+0.15</sup> <sub>-0.1</sub>			2.74
..-Bx25-+	25	53.42	38.5	47.04 <sup>+0.13</sup> <sub>-0.13</sub>			2.76
..-Bx37-+	37	69.7	54.96	63.5 <sup>+0.13</sup> <sub>-0.13</sub>			2.76

Anforderungsstufe / Performance level <sup>1)</sup>

1) nach DIN 41652 T.2 und T.4  
 according to DIN 41652 T.2 and T.4

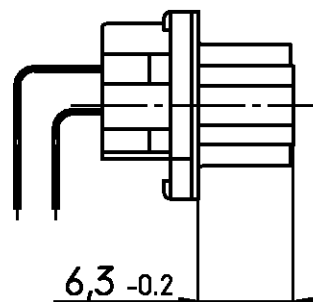
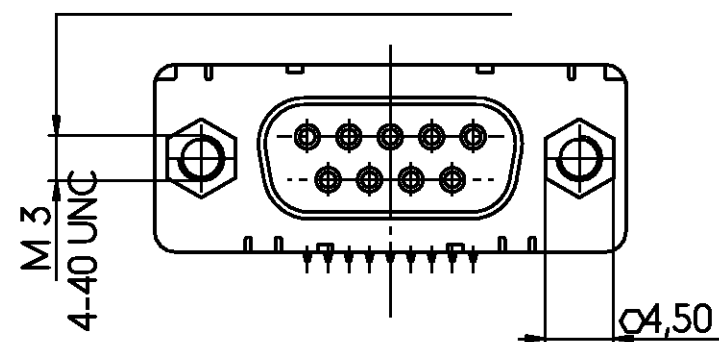
<b>tyco</b>		TYCO ELECTRONICS CORPORATION		SCALE 2:1 (20:1)		WEIGHT	
<b>Electronics</b>		OOSTKAMP - BELGIUM		DIMENSIONS IN MM		MATERIAL	
DATE	29.03.89	PART NAME		Buchsenleiste			
NAME	Embo	Einbauhöhe 3.6 mm (Variante 1) <sup>1)</sup>		Socketconnector-90° solderversion (Type 1) <sup>1)</sup>			
DEP.	PD COM	TOLERANCE UNLESS SPECIFIED OTHERWISE		PART NO.		SHT. 3+	
A3	see page 1	Customer Drawing Nr. C 1-1393480-7		V23529-B*****-B***-*-7427		OF 6	
REV.	CHANGE ORDER	DATE	APP.				

THIS INFORMATION IS CONFIDENTIAL AND PROPRIETARY TO TYCO ELECTRONICS CORPORATION AND ITS WORLDWIDE SUBSIDIARIES AND AFFILIATES. IT MAY NOT BE DISCLOSED TO ANYONE, OTHER THAN TYCO ELECTRONICS PERSONNEL, WITHOUT WRITTEN AUTHORIZATION FROM TYCO ELECTRONICS CORPORATION, HARRISBURG PENNSYLVANIA USA

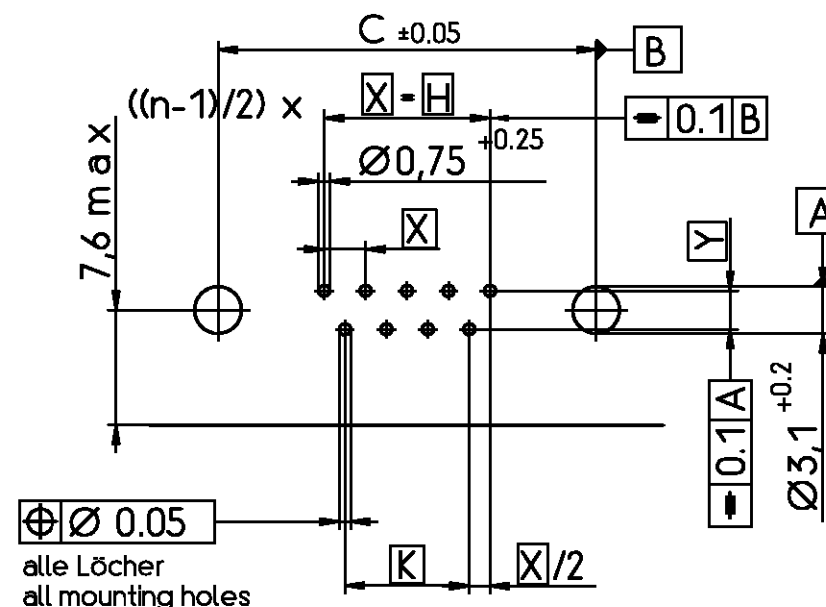
PROPRIETARY:

mit Gewindebolzen : M3 V23529-B50x4-Bxxx-+  
with threadlock 4-40 UNC V23529-B50x5-Bxxx-+

Verdrehsicherheit  $\geq$  70 Ncm  
torsionresistance

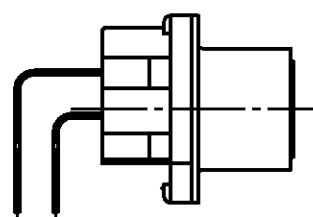
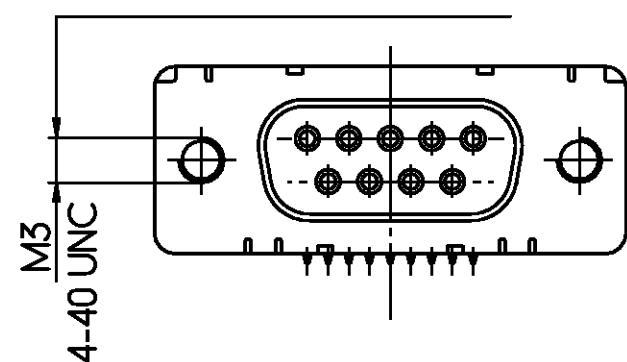


Leiterplattenbohrung  
PCB hole pattern



mit Gewinde : M3 V23529-B50x2-Bxxx-+  
with thread 4-40 UNC V23529-B50x3-Bxxx-+

Verdrehsicherheit  $\geq$  70 Ncm  
torsionresistance



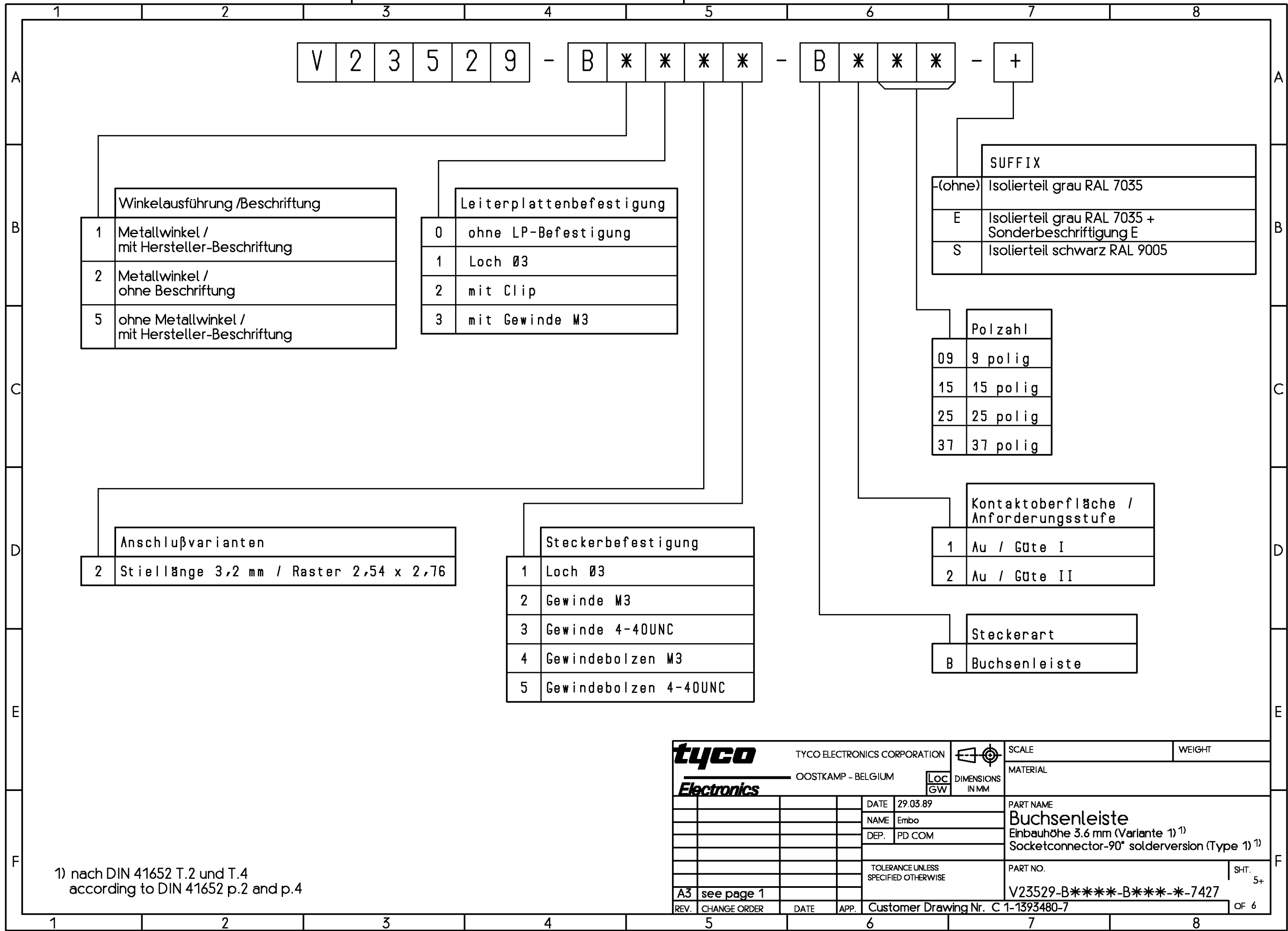
Mass Dimension	Polzahl n Number of contacts n			
	9	15	25	37
C	25	33.3	47.04	63.5
H	10.96	19.18	33.12	49.68
K	8.22	16.44	30.36	46.92
X	2.74	2.74	2.76	2.76
Y	2.54			

1) nach DIN 41652 T.2 und T.4  
according to DIN 41652 T.2 and T.4

<b>tyco</b> TYCO ELECTRONICS CORPORATION		SCALE 2:1		WEIGHT
OOSTKAMP - BELGIUM		LOC GW	DIMENSIONS IN MM	
DATE 29.03.89		MATERIAL		
NAME Embo		PART NAME		
DEP. PD COM		Buchsenleiste		
		Einbauhöhe 3.6 mm (Variante 1) <sup>1)</sup>		
		Socketconnector-90° solderversion (Type 1) <sup>1)</sup>		
		TOLERANCE UNLESS SPECIFIED OTHERWISE		PART NO.
				V23529-B****-B***-*-7427
A3 see page 1				SHT. 4+
REV. CHANGE ORDER	DATE	APP.	Customer Drawing Nr. C 1-1393480-7	OF 6

THIS INFORMATION IS CONFIDENTIAL AND PROPRIETARY TO TYCO ELECTRONICS CORPORATION AND ITS WORLDWIDE SUBSIDIARIES AND AFFILIATES. IT MAY NOT BE DISCLOSED TO ANYONE, OTHER THAN TYCO ELECTRONICS PERSONNEL, WITHOUT WRITTEN AUTHORIZATION FROM TYCO ELECTRONICS CORPORATION, HARRISBURG PENNSYLVANIA USA

PROPRIETARY:



V 2 3 5 2 9 - B \* \* \* \* - B \* \* \* \* - +

Winkelausführung / Beschriftung	
1	Metallwinkel / mit Hersteller-Beschriftung
2	Metallwinkel / ohne Beschriftung
5	ohne Metallwinkel / mit Hersteller-Beschriftung

Leiterplattenbefestigung	
0	ohne LP-Befestigung
1	Loch Ø3
2	mit Clip
3	mit Gewinde M3

SUFFIX	
(-ohne)	Isolierteil grau RAL 7035
E	Isolierteil grau RAL 7035 + Sonderbeschriftung E
S	Isolierteil schwarz RAL 9005

Polzahl	
09	9 polig
15	15 polig
25	25 polig
37	37 polig

Anschlußvarianten	
2	Stiellänge 3,2 mm / Raster 2,54 x 2,76

Steckerbefestigung	
1	Loch Ø3
2	Gewinde M3
3	Gewinde 4-40UNC
4	Gewindebolzen M3
5	Gewindebolzen 4-40UNC

Kontaktfläche / Anforderungsstufe	
1	Au / Güte I
2	Au / Güte II

Steckerart	
B	Buchsenleiste

1) nach DIN 41652 T.2 und T.4  
according to DIN 41652 p.2 and p.4

<b>tyco</b> Electronics	TYCO ELECTRONICS CORPORATION		SCALE	WEIGHT
	OOSTKAMP - BELGIUM	Loc GW	DIMENSIONS IN MM	MATERIAL
REV.	CHANGE ORDER	DATE	APP.	Customer Drawing Nr. C 1-1393480-7
A3	see page 1	DATE	29.03.89	PART NAME
		NAME	Embo	<b>Buchsenleiste</b>
		DEP.	PD COM	Einbauhöhe 3.6 mm (Variante 1) <sup>1)</sup>
				Socketconnector-90° solder version (Type 1) <sup>1)</sup>
		TOLERANCE UNLESS SPECIFIED OTHERWISE		PART NO.
				V23529-B*****-B*****-7427
				SHT. 5+
				OF 6

Active part numbers. Contact Tyco Electronics for other configuration availability

Old Part Number	Tyco Part Number
V23529-B1121-B209	1-1393480-7
V23529-B1121-B215	1-1393480-8
V23529-B1121-B225	1-1393480-9
V23529-B1121-B237	2-1393480-0
V23529-B1122-B209	2-1393480-8
V23529-B1122-B215	2-1393480-9
V23529-B1122-B225	3-1393480-0
V23529-B1122-B237	3-1392010-8
V23529-B1123-B109	3-1393480-4
V23529-B1123-B209	3-1393480-6
V23529-B1123-B215	3-1393480-7
V23529-B1123-B225	3-1393480-8
V23529-B1123-B237	3-1393480-9
V23529-B1125-B209	4-1393480-7
V23529-B1125-B215	4-1393480-8
V23529-B1125-B225	4-1393480-9
V23529-B1125-B237	5-1393480-0
V23529-B1221-B209	5-1393480-5
V23529-B1221-B215	5-1393480-6
V23529-B1221-B225	5-1393480-7
V23529-B1222-B109	6-1393480-4
V23529-B1222-B115	6-1393480-5
V23529-B1222-B125	6-1393480-6
V23529-B1222-B209	6-1393480-7
V23529-B1222-B215	6-1393480-8
V23529-B1222-B225	6-1393480-9
V23529-B1222-B237	7-1393480-0
V23529-B1223-B109	7-1393480-8
V23529-B1223-B115	7-1393480-9
V23529-B1223-B125	8-1393480-0
V23529-B1223-B209	8-1393480-1
V23529-B1223-B215	8-1393480-2
V23529-B1223-B225	8-1393480-3
V23529-B1223-B237	8-1393480-4
V23529-B1224-B209	9-1393480-0
V23529-B1224-B215	9-1393480-1
V23529-B1224-B225	9-1393480-2
V23529-B1225-B209	9-1393480-9
V23529-B1225-B215	1393481-1
V23529-B1225-B225	1393481-2
V23529-B1225-B237	3-1392010-7
V23529-B2221-B209	1-1393481-1

1) nach DIN 41652 T.2 und T.4 according to DIN 41652 p.2 and p.4

THIS INFORMATION IS CONFIDENTIAL AND PROPRIETARY TO TYCO ELECTRONICS CORPORATION AND ITS WORLDWIDE SUBSIDIARIES AND AFFILIATES. IT MAY NOT BE DISCLOSED TO ANYONE, OTHER THAN TYCO ELECTRONICS PERSONEL, WITHOUT WRITTEN AUTHORIZATION FROM TYCO ELECTRONICS CORPORATION, HARRISBURG, PENNSYLVANIA USA.

PROPRIETARY:

<b>tyco</b> Tyco Electronics Corporation		SCALE	WEIGHT
Oostkamp - Belgium		MATERIAL	
DATE: 29.03.89	LOC: DIMENSIONS IN MM	PART NAME	
NAME: Embo		Buchsenleiste	
DEP.: PD COM		Einbauhöhe 3.6 mm (Variante 1) 1)	
		Socketconnector-90° solderversion (Type 1) 1)	
		PART NO.	SHT. 6-
			V23529-B***-B***-*-7427
		TOLERANCE UNLESS SPECIFIED OTHERWISE	
A3 see page 1		Customer Drawing Nr. C 1-1393480-7	
REV. CHANGE ORDER	DATE	APP.	OF 6
1		2	3
			4