

**Specification:**

**Material:**

Insulator: PBT, rated UL94V-0

Contacts: Brass

Shell: Steel

**Contact Plating:**

Gold Flash/Nickel

**Electrical:**

Operation Voltage: 250 VAC max.

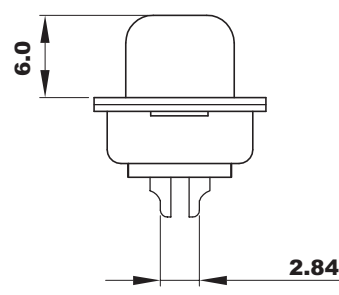
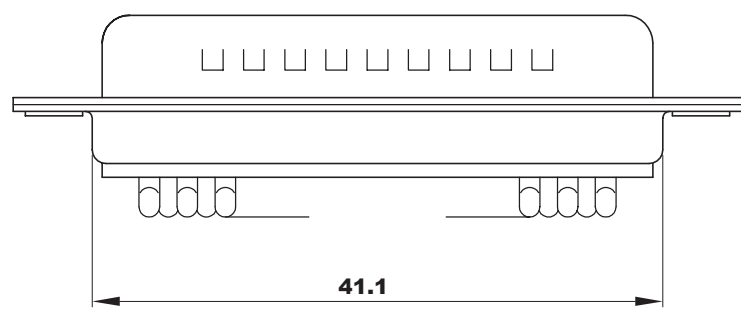
Current Rating: 3 Amps max

Contact Resistance: 15 mohms max

Insulation Resistance: 3000 mohms min @ 500 VDC

Dielectric Withstanding Voltage: 1000 Vac/minute

Operating Temperature: -55°C to +105°C



Description	
Name :	
A-DS25LL-TL-B-R D-Sub Solder (Male)	



THIS DRAWING IS UNPUBLISHED  
 © Copyright 2005 by Assmann Electronic Components All International Rights Reserved  
 This drawing is a controlled document for Assmann Electronics, Inc. It is subject to change and the controlling engineering organization should be contacted for the latest revision.