

1

2

3

4

A

A

B

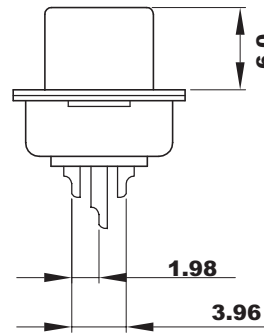
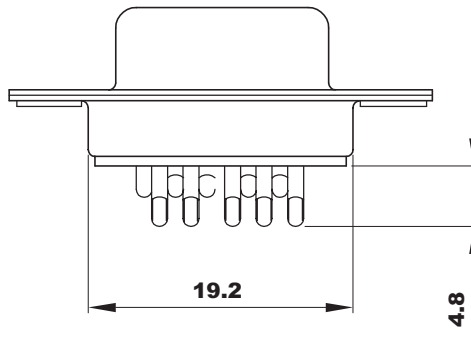
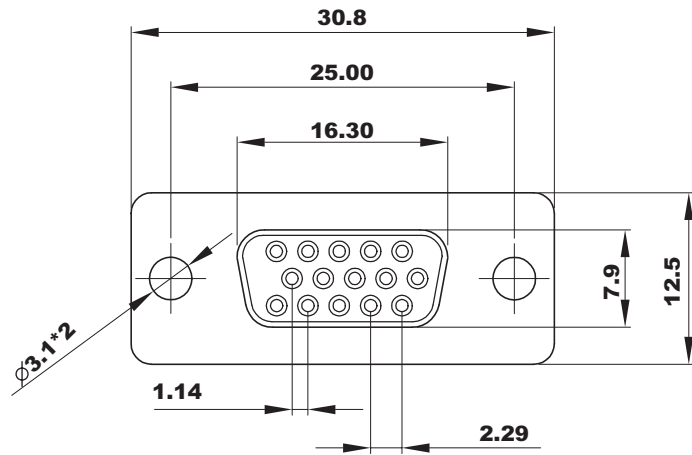
B

C

C

D

D



Specification:

Material:

Insulator: PBT, rated UL94V-0

Contacts: Brass

Shell: Steel

Contact Plating:

Gold Flash/Nickel

Electrical:

Operation Voltage: 250 VAC max

Current Rating: 3 Amps max

Contact Resistance: 15 mohms max @ 500 VDC

Dielectric Withstanding Voltage: 1000 VAC/minute

Operating Temperature: -55°C to +105°C

Description

Name :

A-HDF15LL-TL-B

High Density D-Sub Solder

ASSMANN
Electronic Components

RoHS
Compliant

THIS DRAWING IS UNPUBLISHED

© Copyright 2005 by Assmann Electronic Components All International Rights Reserved

This drawing is a controlled document for Assmann Electronics, Inc. It is subject to change and the controlling engineering organization should be contacted for the latest revision.

1

2

3

4