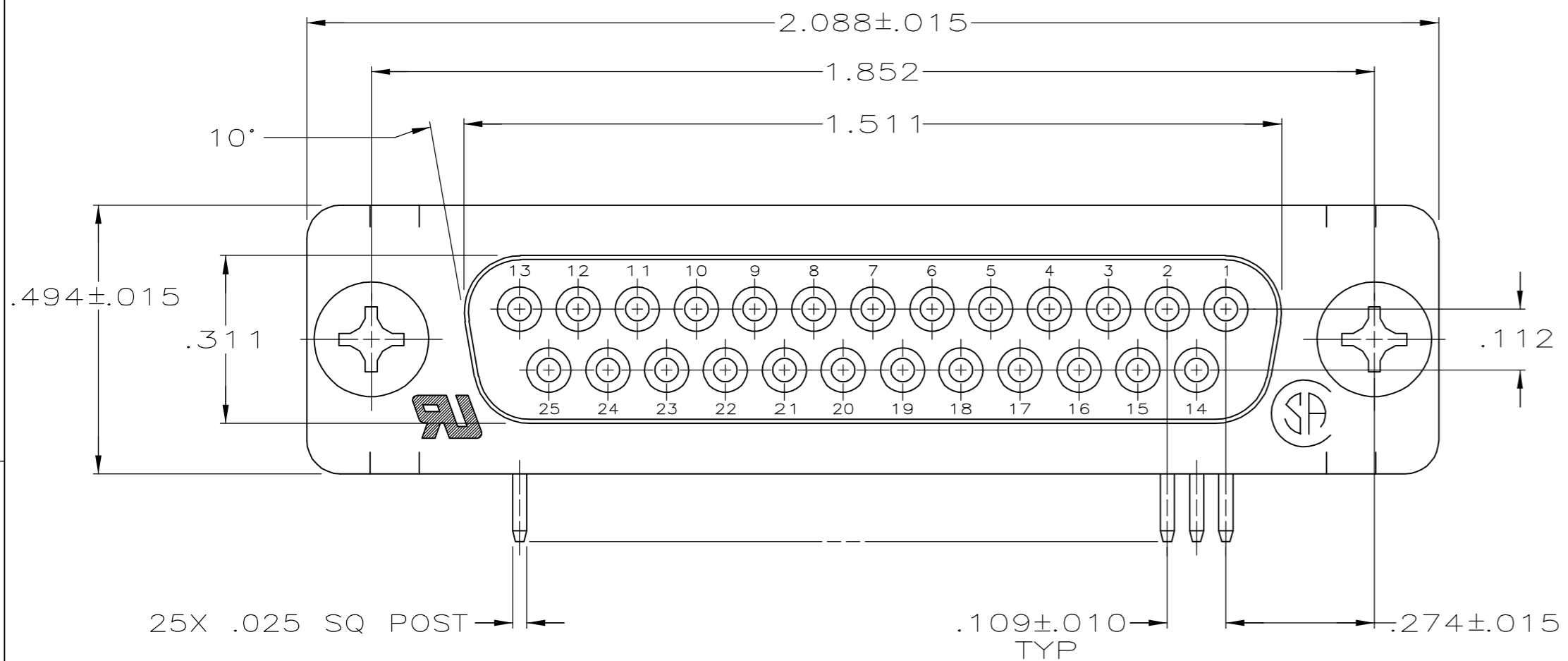
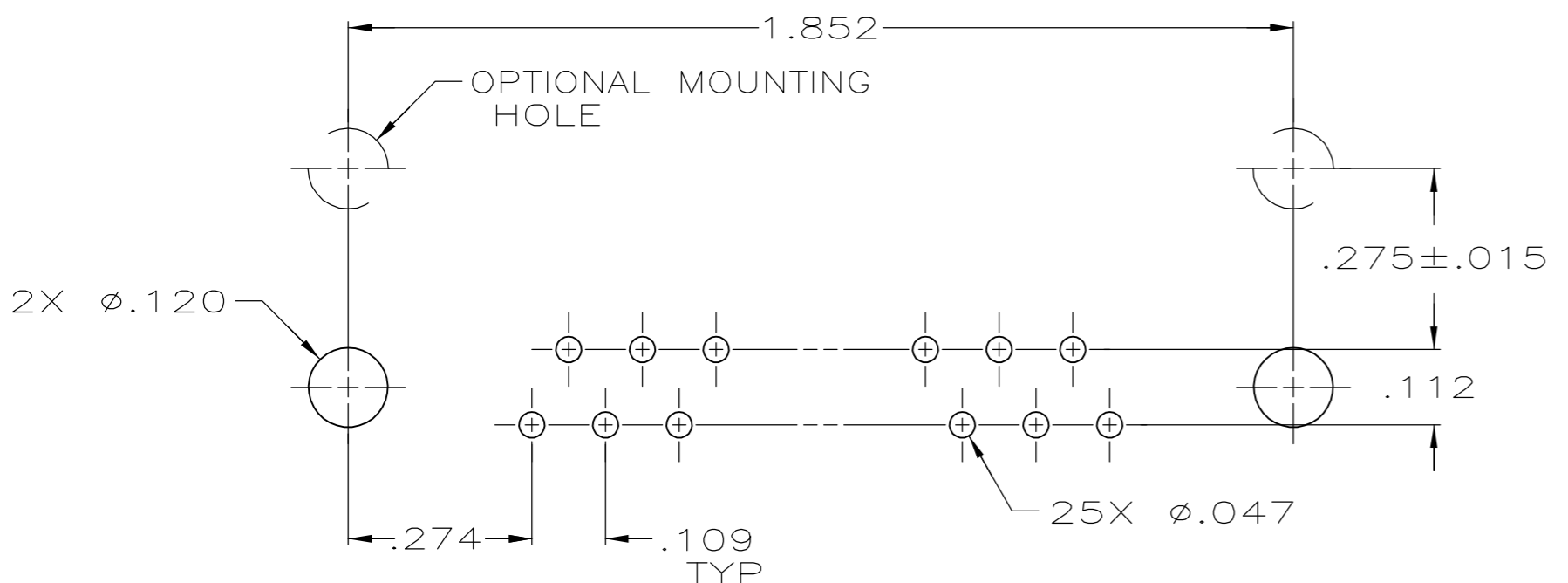
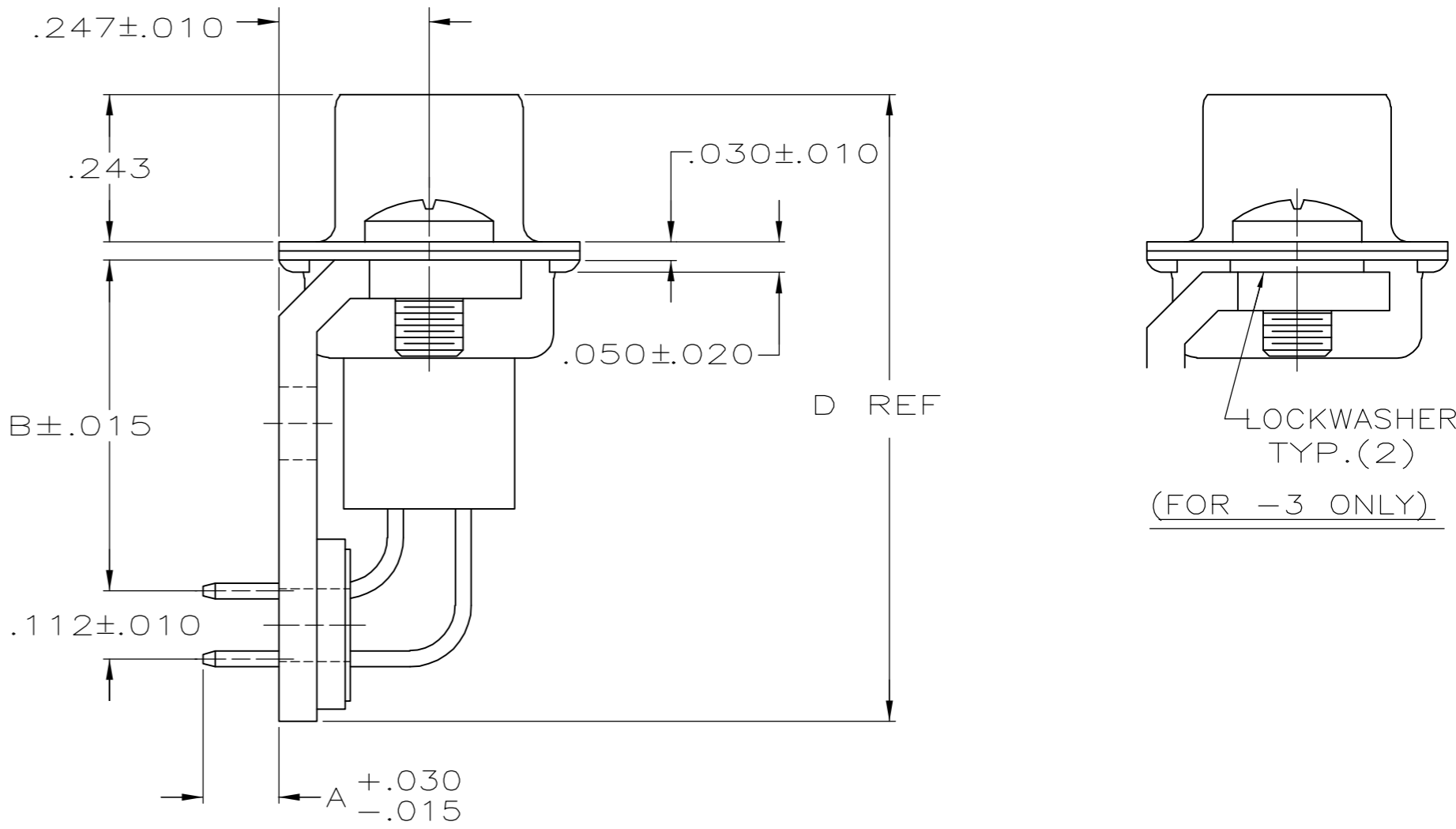
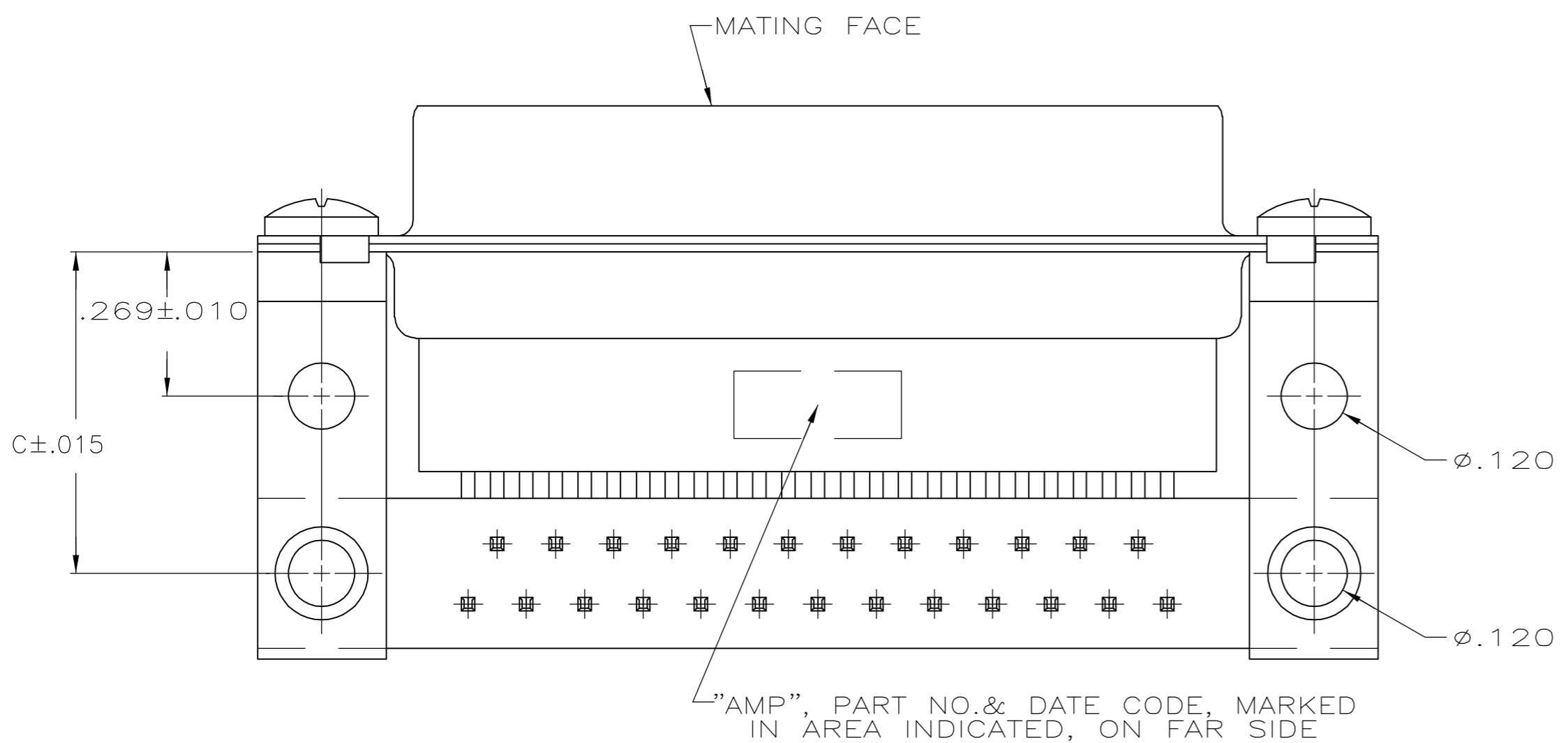


THIS DRAWING IS UNPUBLISHED. RELEASED FOR PUBLICATION  
 © COPYRIGHT 2005 BY TYCO ELECTRONICS CORPORATION. ALL RIGHTS RESERVED.

LOC		DIST		REVISIONS			
GP	00	P	LTR	DESCRIPTION	DATE	DWN	APVD
		P		REVISED PER ECO-06-024575	24JAN07	JDP	EDB



- CONNECTOR MATES WITH ANY 25 POS. PLUG IN AMPLIMITE SERIES & COMPLIES WITH AMP SPEC. 108-40,005 WHERE APPLICABLE.
- △2 FLAME RETARDANT 94V-0 RATED THERMOPLASTIC; COLOR, BLACK
  - △3 STEEL PER ASTM A109.
  - △4 PHOS. BRONZE PER QQ-B-750.
  - △5 SHELLS & BRACKETS: .000200 MIN ZINC WITH YELLOW CHROMATE COATING. CONTACTS: GOLD FLASH PLATED FOR LENGTH OF .100 MIN FROM MATING END, .000100 MIN TIN-LEAD ON OPPOSITE END, BOTH OVER .000050 MIN NICKEL.
  - △6 SHELLS & BRACKETS: .000200 MIN ZINC WITH YELLOW CHROMATE COATING. CONTACTS: GOLD PLATED FOR LENGTH OF .100 MIN FROM MATING END, .000030 MIN GOLD IN MATED AREA, .000100 MIN TIN-LEAD ON OPPOSITE END, BOTH OVER .000050 MIN NICKEL.  
OR  
GOLD FLASH OVER PALLADIUM NICKEL PLATED FOR LENGTH OF .100 MIN FROM MATING END, .000030 MIN PALLADIUM NICKEL IN MATED AREA, .000100 MIN TIN-LEAD ON OPPOSITE END, BOTH OVER .000050 MIN NICKEL.



P.C. BOARD MOUNTING DIMENSIONS

OBSOLETE	1.053	.620	.565	.102	△5	205858-3
	1.033	.600	.545	.125	△6	205858-2
	1.033	.600	.545	.125	△5	205858-1
	D	C	B	A	CONTACT FINISH	PART NUMBER

THIS DRAWING IS A CONTROLLED DOCUMENT.		DWN J. POLIGNONE 01FEB07	Tyco Electronics Corporation Harrisburg, PA 17105-3608
DIMENSIONS: INCHES		CHK E. BRIANT 01FEB07	
TOLERANCES UNLESS OTHERWISE SPECIFIED:		APVD E. BRIANT 01FEB07	NAME
0 PLC ± -		PRODUCT SPEC	RECEPTACLE ASSEMBLY, SIZE 3, 25 POSITION, RIGHT ANGLE, .545 SERIES, .025 SQ. POSTS, AMPLIMITE HDP
1 PLC ± -		APPLICATION SPEC	SIZE CAGE CODE DRAWING NO RESTRICTED TO
2 PLC ± -		108-40025	A2 00779 C=205858
3 PLC ± .005		114-40013	SCALE SHEET REV
4 PLC ± - 2°		WEIGHT -	4:1 1 of 1 P
ANGLES ± 2°		CUSTOMER DRAWING	
FINISH			