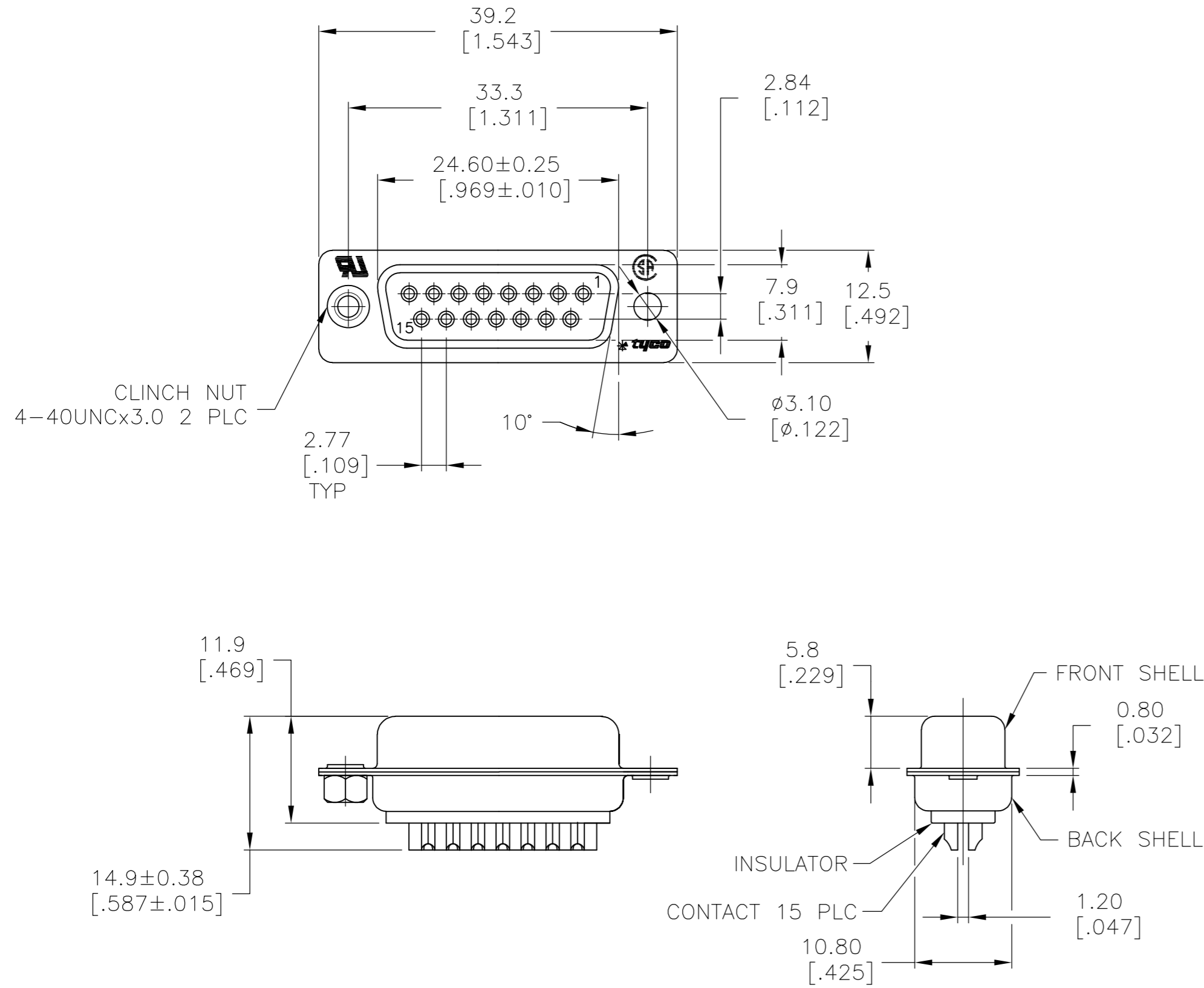


THIS DRAWING IS UNPUBLISHED. RELEASED FOR PUBLICATION  
 © COPYRIGHT BY TYCO ELECTRONICS CORPORATION. ALL RIGHTS RESERVED.

LOC		DIST		REVISIONS			
P	LTR	DESCRIPTION		DATE	DWN	APVD	
	T	REVISED PER ECO-08-025671		16OCT08	HMR	JO	



- 1 MATERIAL:  
 BACK INSULATOR: PBT, 30 %GF, UL94V-0, BLACK COLOR  
 FRONT INSULATOR: PBT, 30 %GF, UL94V-0, BLACK COLOR  
 CONTACT: BRASS  
 BACK SHELL: STEEL  
 CLINCH NUTS: BRASS  
 FRONT SHELL: STEEL
- 2 FINISH:  
 CONTACT: GOLD PLATING 0.00002[.0000008] MIN ON CONTACT AREA 0.00229 [.000090] MIN TIN-LEAD PLATING ALL OVER 0.00127[.000050] MIN NICKEL
- 3 CONTACT: GOLD PLATING 0.00076[.000030] MIN ON CONTACT AREA 0.00229 [.000090] MIN TIN-LEAD PLATING ALL OVER 0.00127[.000050] MIN NICKEL
- 4 SHELL: TIN 0.0241[.000095] MIN FULL SHELL
- 5 SHELL: BLUE ZINC: 0.00508[.000200] - 0.00762[.000300] OVER ENTIRE SHELL
- 6 CONTACT: GOLD PLATING 0.00002[.0000008] MIN ON CONTACT AREA 0.00229 [.000090] MIN TIN-COPPER PLATING ALL OVER 0.00127[.000050] MIN NICKEL
- 7 CLINCH NUTS: NICKEL PLATING .00305-.00508[.000120-.000200]
- 8 SPECIFICATION  
 ELECTRICAL CHARACTERISTICS: CURRENT RATING: 3 AMPERES  
 DIELECTRIC WITHSTANDING VOLTAGE: AC 1000V r.m.s  
 INSULATION RESISTANCE: 5000 MEGOHMS MINIMUM AT DC 500V  
 CONTACT RESISTANCE: 10 MILLIOHMS MAXIMUM.
- 9 ROHS 2002/95/EC COMPLIANT
- 10 RECEPTACLE ASSEMBLY MATES WITH ANY 15 POSITION PLUG IN AMPLIMITE SERIES
- 11 SOLDER CUP WILL ACCOMMODATE 20 MAX AWG WIRE.
- 12 CONTACT: GOLD PLATING 0.00076[.000030] MIN ON CONTACT AREA 0.00229[.000090] MIN TIN-COPPER ALL OVER 0.00127[.000050] MIN NICKEL PLATING

9	STANDARD	NO	NO	6	5	5-747909-4	
9	STANDARD	YES	YES	6	4	5-747909-7	
9	STANDARD	NO	YES	12	4	5-747909-5	
9	STANDARD	NO	YES	6	4	5-747909-2	
9	SUPERSEDED TO 5-747909-2	STANDARD	NO	YES	6	4	747909-8
9	SUPERSEDED TO 5-747909-7	STANDARD	YES	YES	2	4	747909-7
9	SUPERSEDED TO 5-747909-5	STANDARD	NO	YES	3	4	747909-5
9	SUPERSEDED TO 5-747909-4	STANDARD	NO	NO	2	4	747909-4
9	SUPERSEDED TO 5-747909-2	STANDARD	NO	YES	2	4	747909-2
	PACKAGING TYPE	CLINCH NUTS	GROUNDING INDENTS	CONTACTS	SHELLS	PART NO.	

THIS DRAWING IS A CONTROLLED DOCUMENT.		DWN M.BINNER 03MAR03	Tyco Electronics Corporation Harrisburg, PA 17105-3608			
DIMENSIONS: mm [INCHES]		CHK R.BENDORF 05MAR03	NAME RECEPTACLE ASSEMBLY, SOLDER CUP, SIZE 2, 15 POSN, HD-20, AMPLIMITE			
TOLERANCES UNLESS OTHERWISE SPECIFIED: 0 PLC ± - 1 PLC ± 0.25 2 PLC ± 0.13 3 PLC ± 0.05 4 PLC ± - ANGLES ± 4°		APVD R.BENDORF 05MAR03	PRODUCT SPEC			
MATERIAL 1		FINISH SEE TABLE	APPLICATION SPEC		SIZE A2	
		WEIGHT -	CAGE CODE 00779		DRAWING NO C=747909	
		CUSTOMER DRAWING		SCALE 2:1	SHEET 1 of 1	REV T