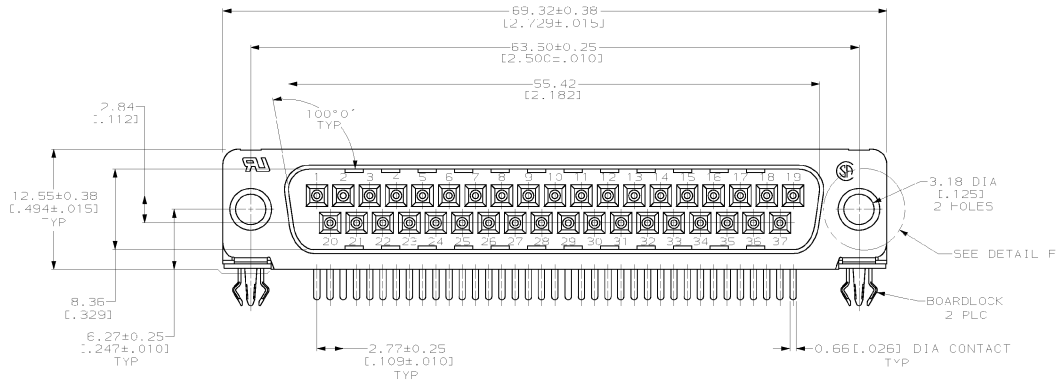
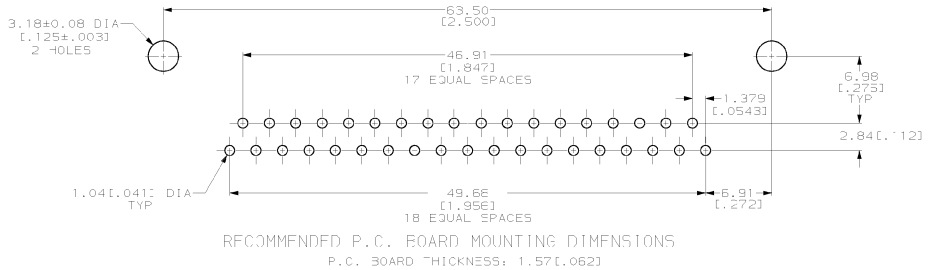
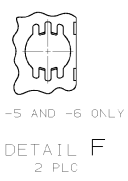
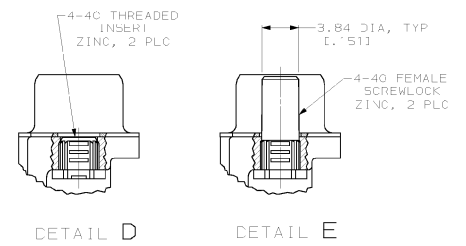
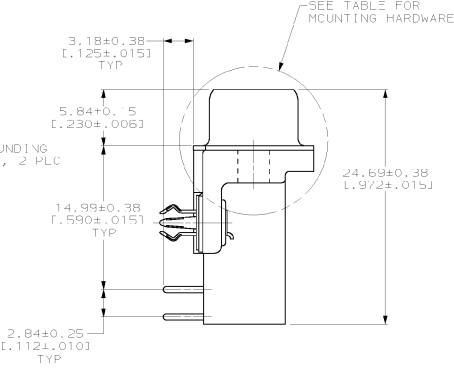
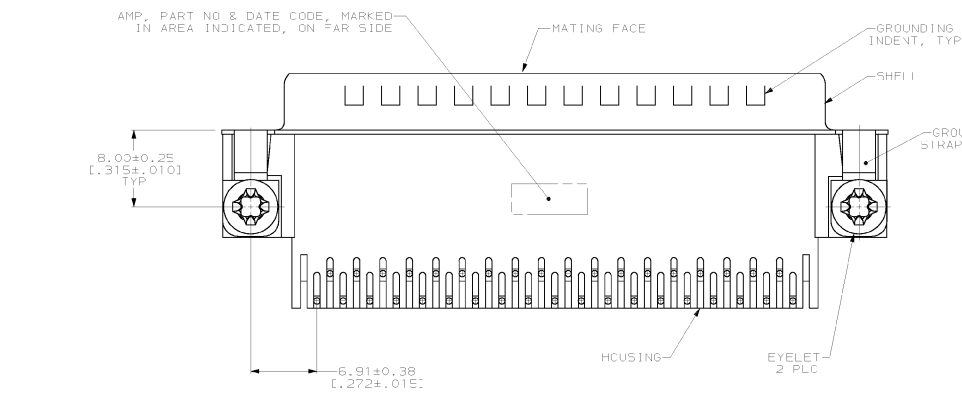


REV	DATE	DESCRIPTION	DATE	BY	APP
GP 00					
P		REVISED PER EC 0513-C176-03	28/04/13	JG	CC



- ▲ NYLON OR POLYESTER, FLAME RETARDANT, UL 94V-0 RATED, 6.55 FILLED, BLACK.
- ▲ BRASS PER MIL-C-50.
- ▲ CARBON STEEL PER ASTM A109.
- ▲ EYELETS; BRASS; BOARDLOCKS; COPPER ALLOY.
- ▲ GOLD PLATING PER MIL-G-45204, NICKEL PLATING PER 03-N-290, TIN PLATING PER MIL-T-0727; COPPER PLATING PER MIL-C-14950.
- ▲ 2.54µm (.000100) MIN TIN OVER 1.27µm (.000050) MIN COPPER.
- ▲ 5.08µm (.000200) MIN TIN OVER COPPER FLASH.
- ▲ GOLD FLASH FOR A LENGTH OF 3.81 (.150) MIN FROM MATING END, 2.54µm (.000100) MIN TIN OR TIN-LEAD FOR A LENGTH OF 3.56 (.140) MIN FROM OPPOSITE END, BOTH OVER 1.27µm (.000050) MIN NICKEL.
- ▲ GOLD PLATED FOR A LENGTH OF 3.81 (.150) MIN FROM MATING END, 0.76µm (.000030) MIN GOLD IN MATED AREA, 2.54µm (.000100) MIN TIN OR TIN-LEAD FOR A LENGTH OF 3.56 (.140) MIN FROM OPPOSITE END, BOTH OVER 1.27µm (.000050) MIN NICKEL.
- ▲ 5.08µm (.000200) MIN TIN-LEAD OVER 1.27µm (.000050) MIN NICKEL.
- ▲ 5.08µm (.000200) MIN TIN OVER 1.27µm (.000050) MIN NICKEL.



REV	DATE	DESCRIPTION	DATE	BY	APP
SEE DETAIL D					
SEE DETAIL E					
SEE DETAIL E					
SEE DETAIL D					
SEE DETAIL D					
OBsolete					
OBsolete					
OBsolete					

MOUNTING HARDWARE	BOARDLOCK FINISH	CONTACT FINISH	PART NUMBER
SEE DETAIL D			6-747835-7
SEE DETAIL E			747835-6
SEE DETAIL E			747835-5
SEE DETAIL D			747835-4
SEE DETAIL D			747835-3
OBsolete			747835-2
OBsolete			747835-1

THIS DRAWING IS A CONTROLLED DOCUMENT. **AMP** Incorporated, Harrisburg, PA 17105-3608

DATE: 15-04-90
 DRAWING NO: 08-40025
 PART NO: 747835-5
 SIZE: 14-40010
 CUSTOMER DRAWING