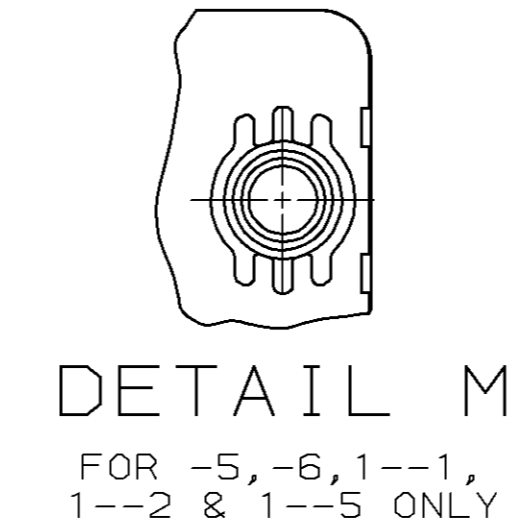
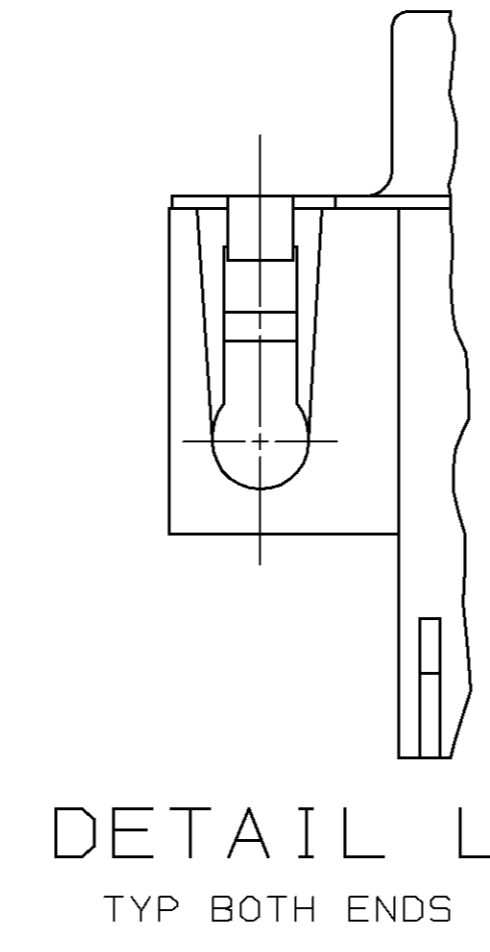
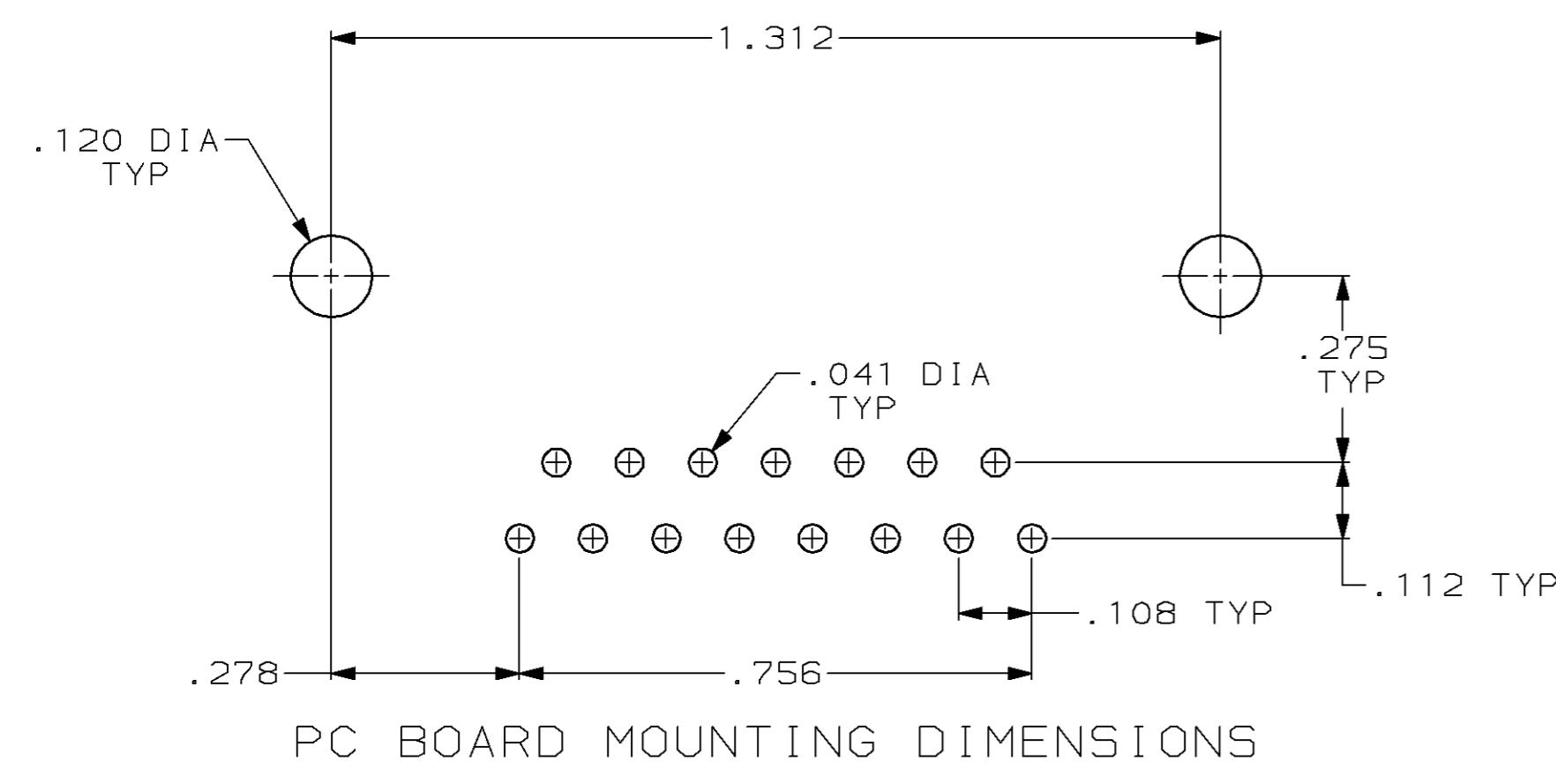
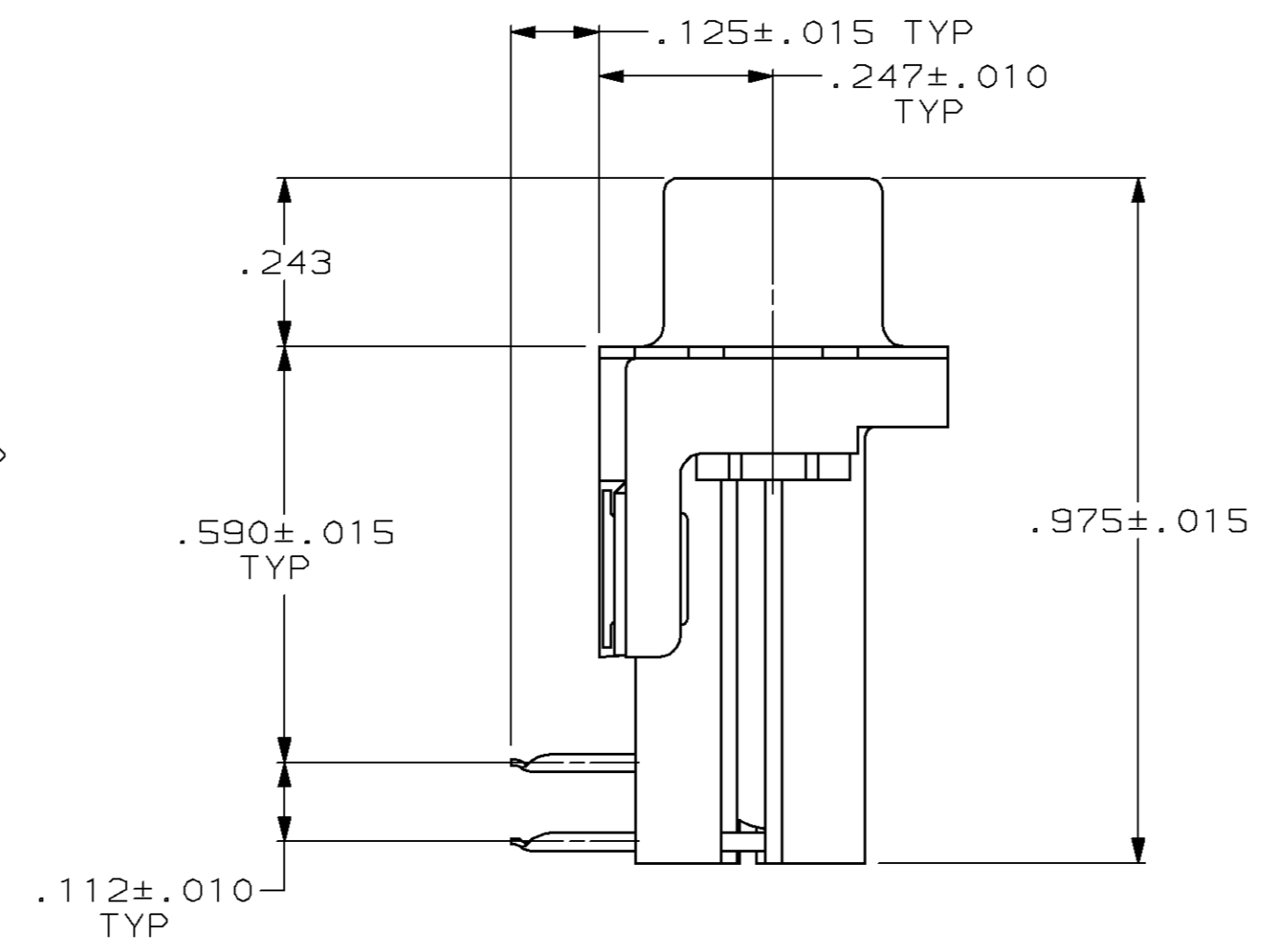
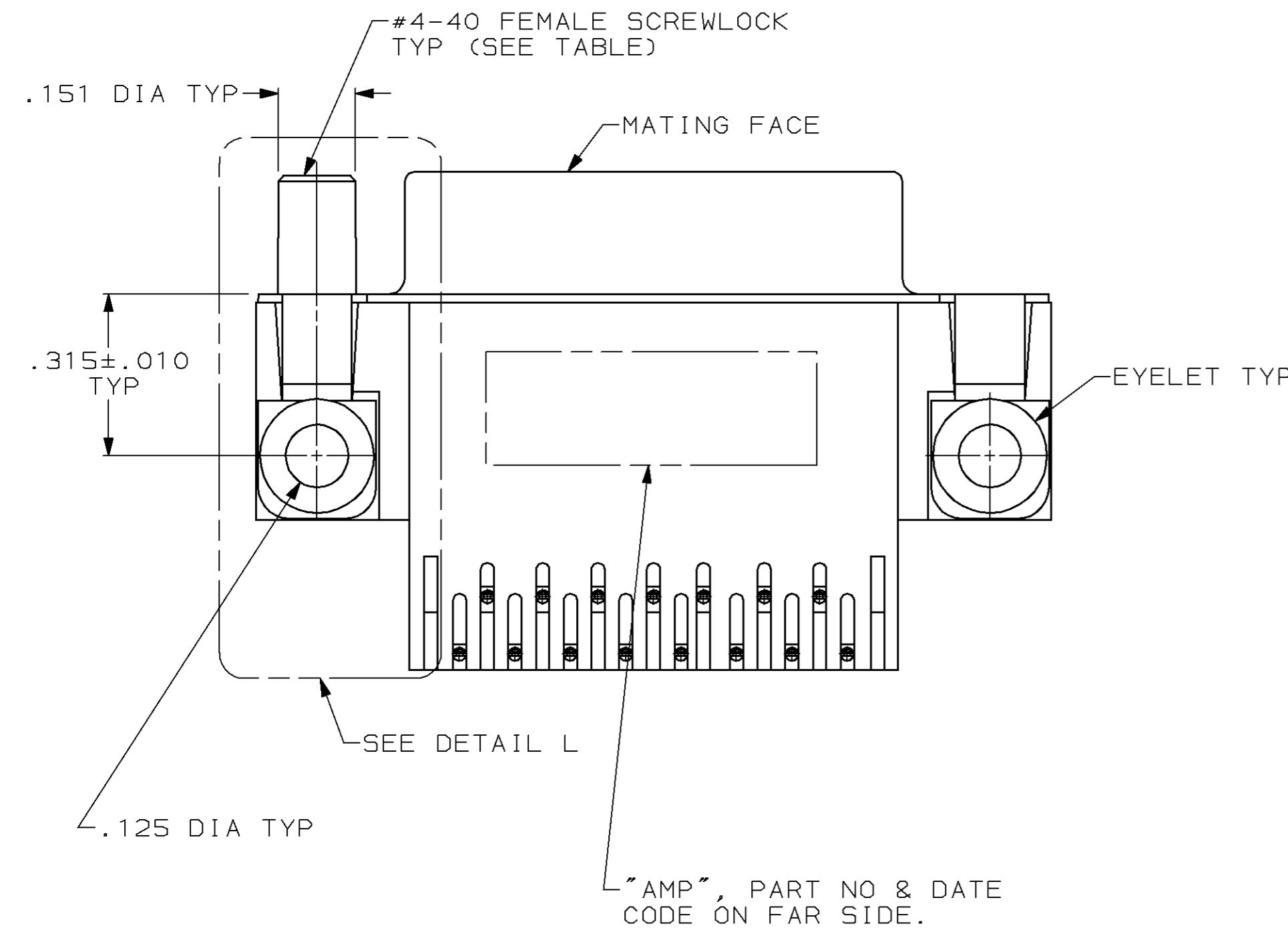
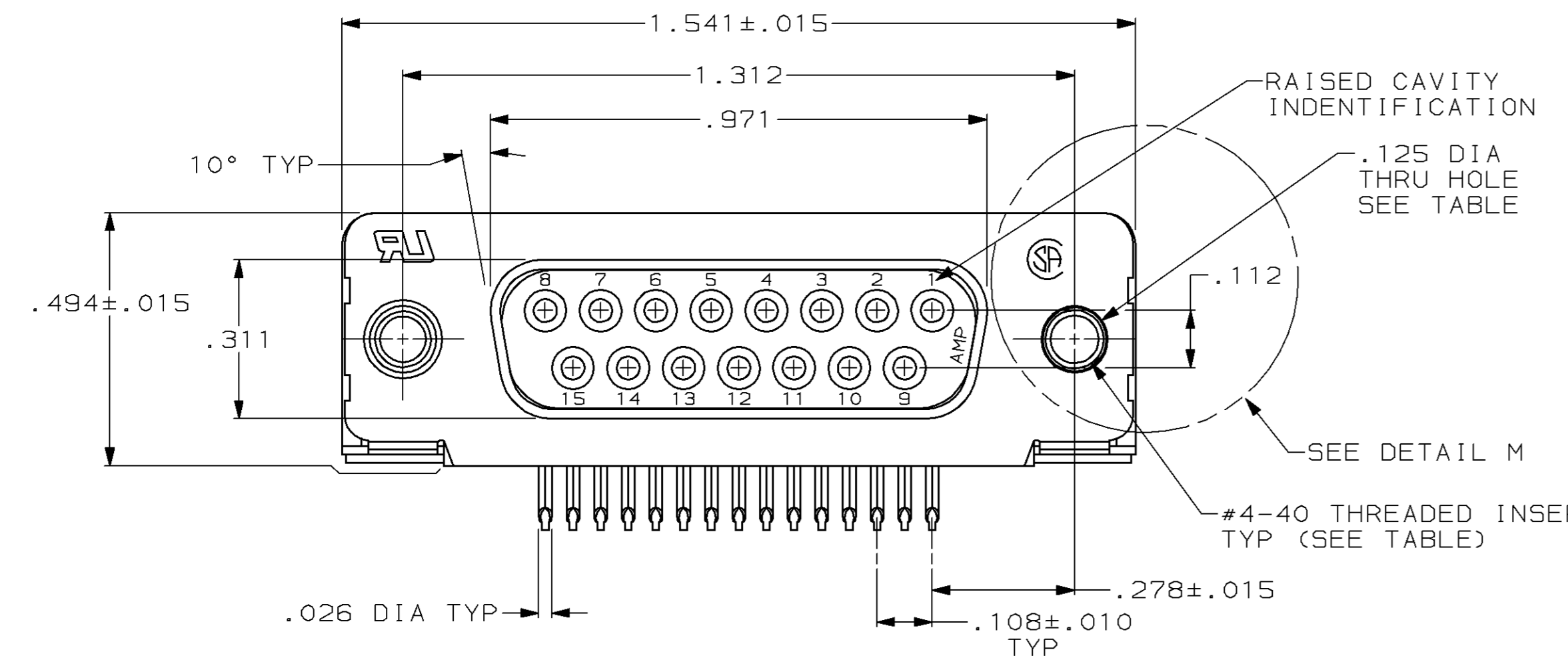


LOC	DIST	P	F	ZONE	LTR	REVISIONS			
						DESCRIPTION	DATE	APPD	
	BD	77				E	REDRAWN	1-23-91	-
						F	REV PER ECN BD4960	6-29-91	CR
						G	REVISED PER ECN BD5477	01/21/92	CR
						H	OBSOLETE -7, -8, 1--0, 1--1 AND 1--9 PER ECN BD6035	06/17/92	CR
						J	REV PER ECN BD6559	04/14/93	BT
						K	OBSOLETE -1, -2, -5 AND -6 PER EC 0020-830-93	03/21/94	SB
						L	REV PER EC 0020-1338-94	12/12/94	RT
						M	OBS -9, -12 PER EC 0020-448-95	22 AUG 95	RT
						N	SUPSD -3 PER EC 0020-465-96	13 MAR 97	RT



- CONNECTOR MATES WITH ANY 15 POSN PLUG IN AMPLIMITE™ SERIES & COMPLIES WITH AMP SPEC 108-40005 WHERE APPLICABLE.
- MOLDED PARTS: FLAME RETARDANT 94V-0 RATED THERMOPLASTIC, BLACK.  
SHELL: STEEL PER ASTM A109  
CONTACTS: PHOSPHOR BRONZE PER QQ-B-750  
EYELETS: BRASS  
SCREWLOCKS: ZINC  
INSERTS: ZINC
- SHELL: BRIGHT TIN PLATED  
CONTACTS: SEE TABLE  
EYELETS: TIN PLATED  
INSERTS: CLEAR CHROMATE  
SCREWLOCKS: CLEAR CHROMATE
- GOLD PLATING PER MIL-G-45204, NICKEL PLATING PER 00-N-290, BRIGHT TIN PLATING PER MIL-T-10727.
- GOLD FLASH FOR A DISTANCE OF .100 MIN FROM MATING END, TIN PLATED .000100-.000200 ON SOLDER POST, ALL OVER .000050 NICKEL.
- .000030 GOLD FOR A DISTANCE OF .100 MIN FROM MATING END, TIN PLATED .000100-.000200 ON SOLDER POST, ALL OVER .000050 NICKEL.
- .000015 GOLD FOR A DISTANCE OF .100 MIN FROM MATING END, TIN PLATED .000100-.000200 ON SOLDER POST, ALL OVER .000050 NICKEL.
- .000010 GOLD FOR A DISTANCE OF .100 MIN FROM MATING END, TIN PLATED .000100-.000200 ON SOLDER POST, ALL OVER .000050 NICKEL.

OBSOLETE	THREADED INSERT	CLINCH TABS (SEE DETAIL L)	△8	1-745984-9
OBSOLETE	FEMALE SCREWLOCKS	CLINCH TABS (SEE DETAIL L)	△7	1-745984-8
OBSOLETE	THREADED INSERTS	CLINCH TABS (SEE DETAIL L)	△7	1-745984-7
OBSOLETE	.125 DIA HOLE	CLINCH TABS (SEE DETAIL L)	△7	1-745984-6
OBSOLETE	FEMALE SCREWLOCKS	GROUNDING STRAPS	△7	1-745984-5
OBSOLETE	THREADED INSERTS	GROUNDING STRAPS	△7	1-745984-4
OBSOLETE	.125 DIA HOLE	GROUNDING STRAPS	△7	1-745984-3
OBSOLETE	FEMALE SCREWLOCKS	CLINCH TABS (SEE DETAIL L)	△6	1-745984-2
OBSOLETE	FEMALE SCREWLOCKS	CLINCH TABS (SEE DETAIL L)	△5	1-745984-1
OBSOLETE	THREADED INSERTS	CLINCH TABS (SEE DETAIL L)	△6	1-745984-0
OBSOLETE	THREADED INSERTS	CLINCH TABS (SEE DETAIL L)	△5	745984-9
OBSOLETE	.125 DIA HOLE	CLINCH TABS (SEE DETAIL L)	△6	745984-8
OBSOLETE	.125 DIA HOLE	CLINCH TABS (SEE DETAIL L)	△5	745984-7
OBSOLETE	FEMALE SCREWLOCKS	GROUNDING STRAPS	△6	745984-6
OBSOLETE	FEMALE SCREWLOCKS	GROUNDING STRAPS	△5	745984-5
OBSOLETE	THREADED INSERTS	GROUNDING STRAPS	△6	745984-4
OBSOLETE	THREADED INSERTS	GROUNDING STRAPS	△5	745984-3
OBSOLETE	.125 DIA HOLE	GROUNDING STRAPS	△6	745984-2
OBSOLETE	.125 DIA HOLE	GROUNDING STRAPS	△5	745984-1
MOUNTING HARDWARE		SHELL VERSION	CONTACT FINISH △4	PART NUMBER

DO NOT SCALE PRINT. UNLESS SPECIFIED DIMENSIONS IN INCHES TOLERANCES ON: 2 PLC DEC ± - 3 PLC DEC ± .005 ANGLES ± 2°	DR 1-23-91 J GALLUCCI BG CHK 4-26-91 R. STONE APPD 4-26-91 J.W. YOUNG MATERIAL △2 PRODUCT SPEC 108-40025 FINISH △3 APPLICATION SPEC 114-40010 WEIGHT -	AMP AMP Incorporated Harrisburg, PA 17105-3608 NAME RCPT ASSY, SIZE 2, RTANG, W/Front METAL SHELL, .026 DIA POSTS, AMPLIMITE™ HD-20 (.590 FOOTPRINT) SHORT LEG SIZE D CAGE CODE 00779 DRAWING NO 745984 SCALE 4:1 SHEET 1 OF 1
--	--	---