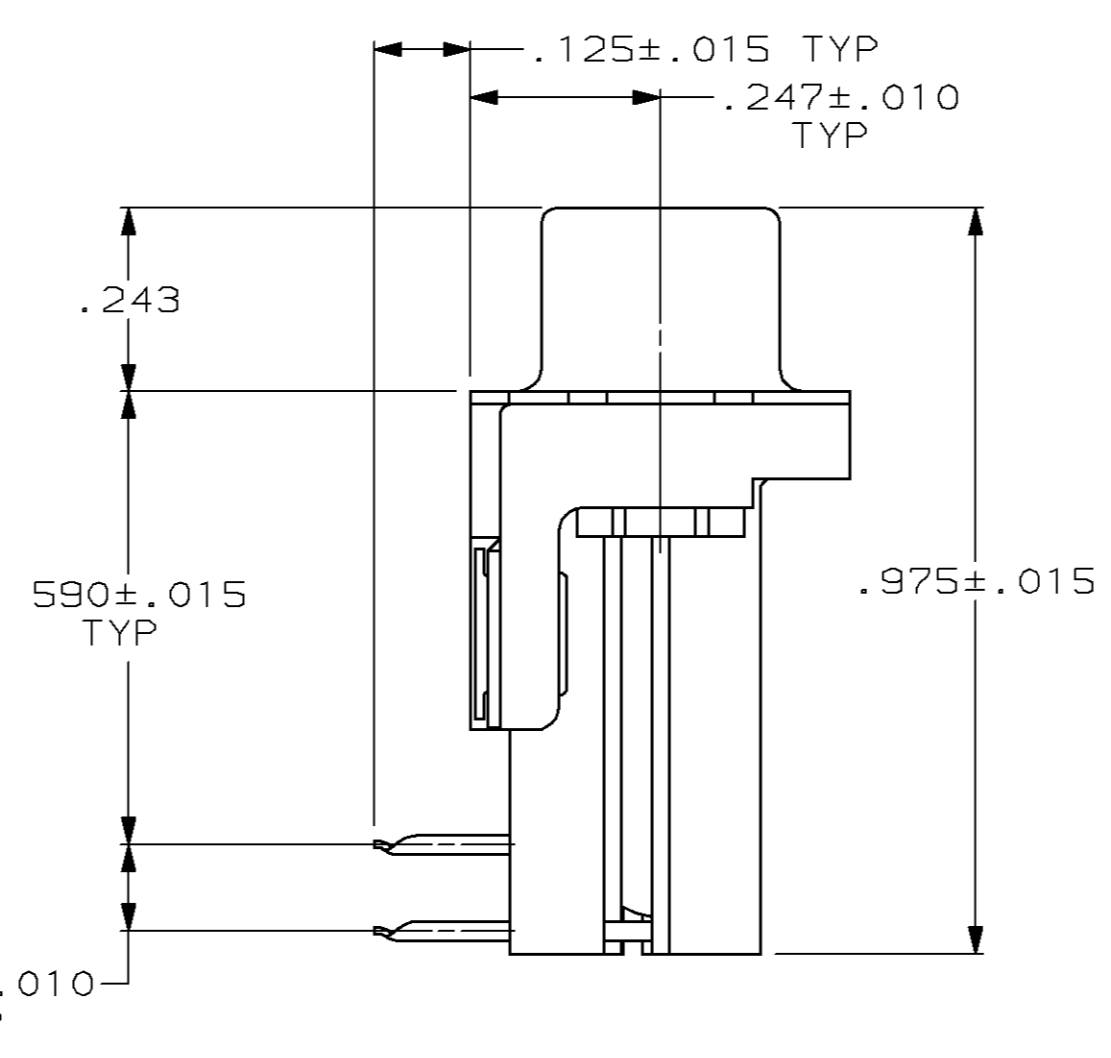
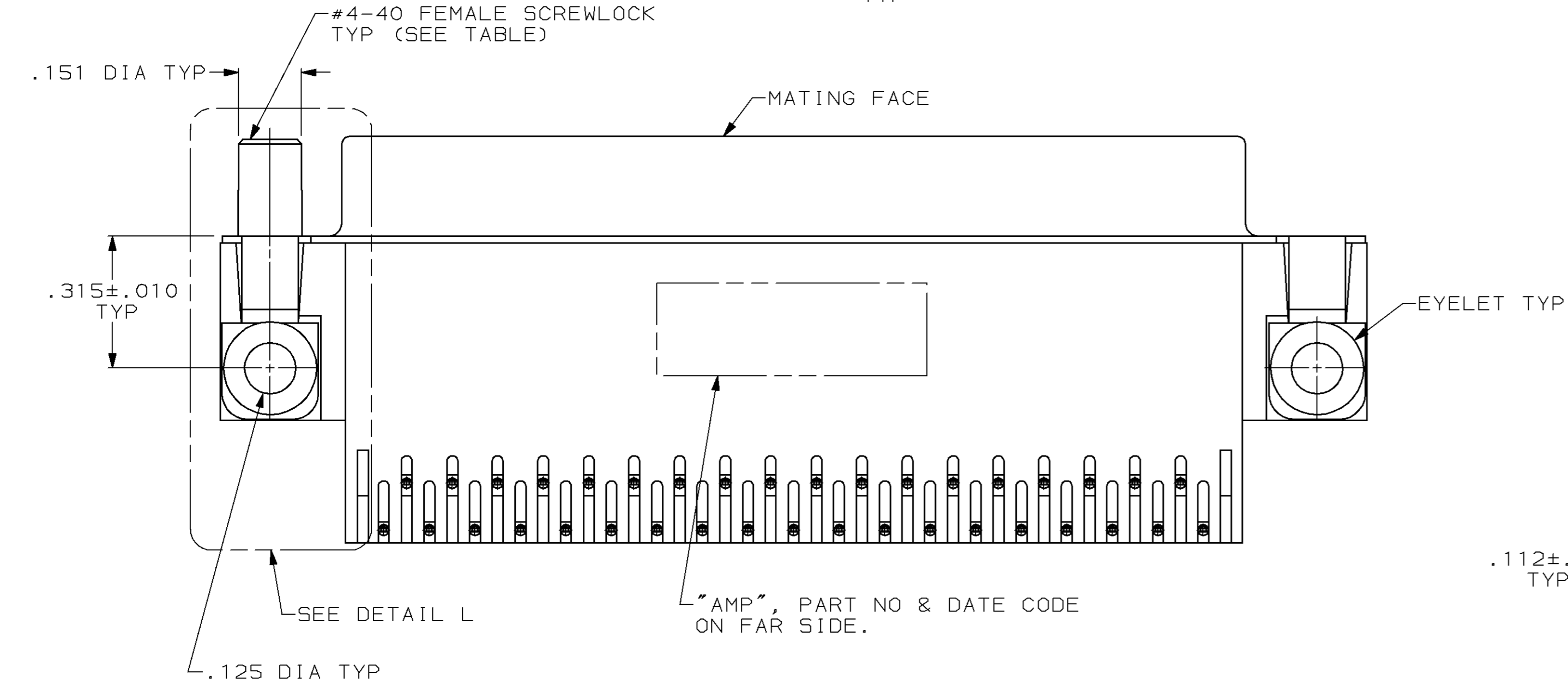
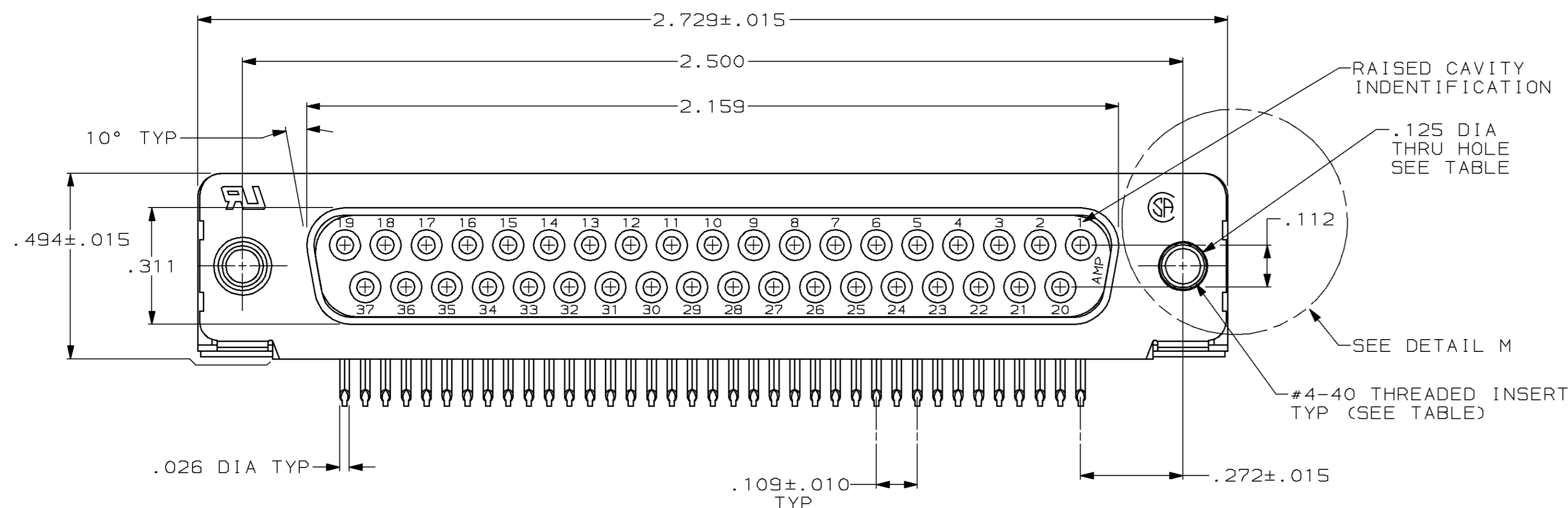
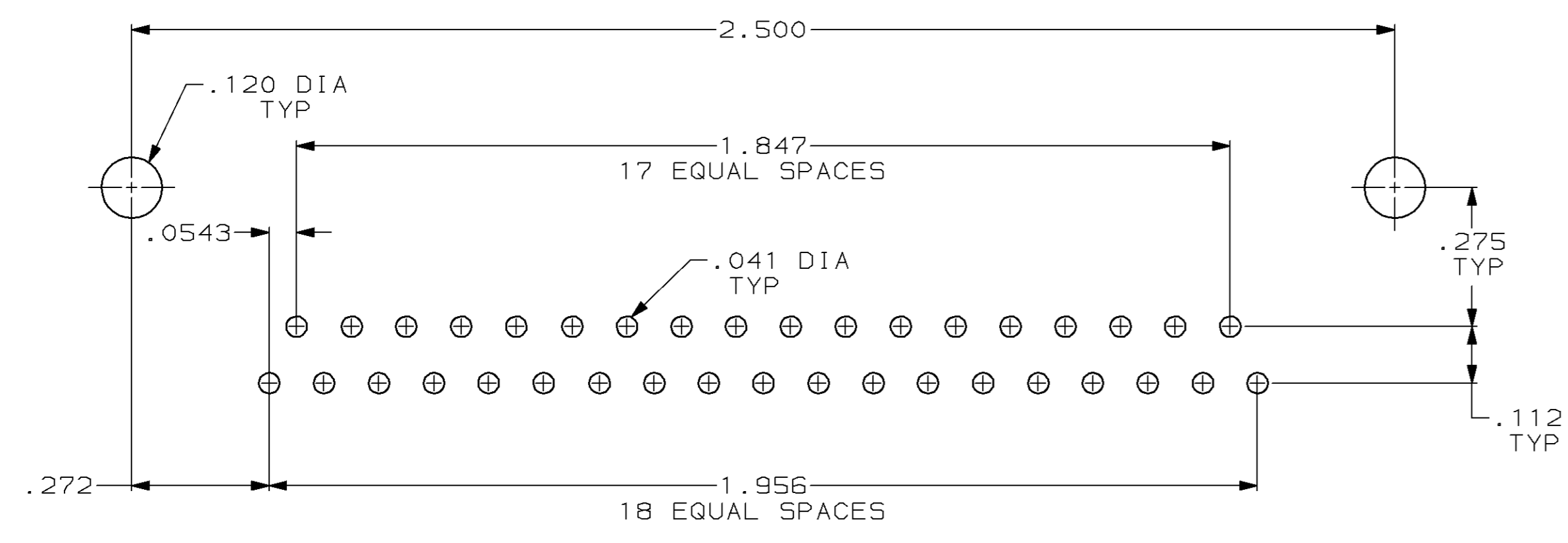


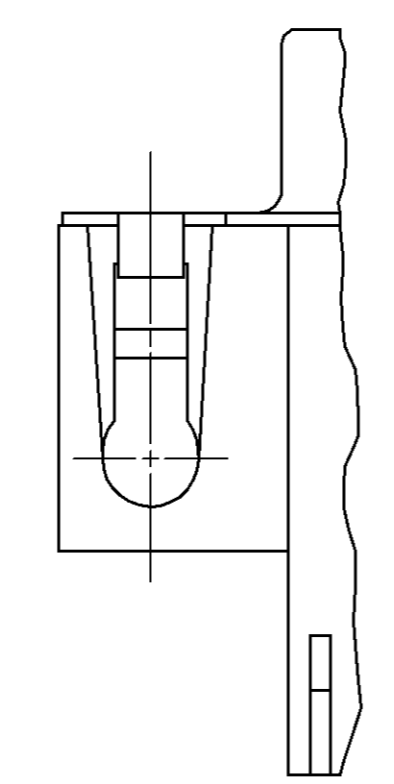
LOC		DIST		REVISED		REVISIONS		
BD	77	P	F	ZONE	LTR	DESCRIPTION	DATE	APPD
					E	REDRAWN	1-23-91	-
					F	REV PER ECN BD4960	6-19-91	CR
					G	REVISED PER ECN BD5477	01/21/92	CR
					H	OBSOLETE -7, -8, 1--0 THRU 1--2 PER ECN BD6035	06/17/92	CR
					J	REV PER ECN BD6559	04/21/93	BT
					K	OBS -1, -2, -5 & -6 PER EC 0020-830-93	03/21/94	SB
					L	REV PER EC 0020-1338-94	12/12/94	RT
					M	OBS -9 PER EC 0020-448-95	22 AUG 95	RT
					N	REV PER EC 0020-1448-95	11 JAN 96	RLT
					P	SUPSD -3 PER EC 0020-465-96	13 MAR 97	RT



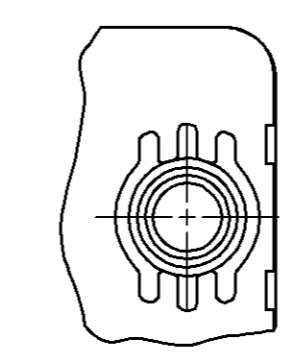
- CONNECTOR MATES WITH ANY 37 POSN PLUG IN AMPLIMITE™ SERIES & COMPLIES WITH AMP SPEC 108-40005 WHERE APPLICABLE.
- MOLDED PARTS: FLAME RETARDANT 94V-0 RATED THERMOPLASTIC, BLACK.
SHELL: STEEL PER ASTM A109
CONTACTS: PHOSPHOR BRONZE PER QQ-B-750
EYELETS: BRASS
SCREWLOCKS: ZINC
INSERTS: ZINC
- SHELL: BRIGHT TIN PLATED
CONTACTS: SEE TABLE
EYELETS: TIN PLATED
SCREWLOCKS: CLEAR CHROMATE
INSERTS: CLEAR CHROMATE
- GOLD PLATING PER MIL-G-45204, NICKEL PLATING PER 00-N-290, TIN PER MIL-T-10727.
- GOLD FLASH FOR A DISTANCE OF .100 MIN FROM MATING END, TIN PLATED .000100-.000200 ON SOLDER POST, ALL OVER .000050 NICKEL.
- .000030 GOLD FOR A DISTANCE OF .100 MIN FROM MATING END, TIN PLATED .000100-.000200 ON SOLDER POST, ALL OVER .000050 NICKEL.
- .000015 GOLD FOR A DISTANCE OF .100 MIN FROM MATING END, TIN PLATED .000100-.000200 ON SOLDER POST, ALL OVER .000050 NICKEL.



RECOMMENDED P.C. BOARD MOUNTING DIMENSIONS



DETAIL L
TYP BOTH ENDS



DETAIL M
FOR -5, -6, 1--1
& 1--2 ONLY

OBSOLETE	FEMALE SCREWLOCKS	CLINCH TABS (SEE DETAIL L)	△	1-745996-8
OBSOLETE	THREADED INSERTS	CLINCH TABS (SEE DETAIL L)	△	1-745996-7
OBSOLETE	.125 DIA HOLE	CLINCH TABS (SEE DETAIL L)	△	1-745996-6
OBSOLETE	FEMALE SCREWLOCKS	GROUNDING STRAPS	△	1-745996-5
OBSOLETE	THREADED INSERTS	GROUNDING STRAPS	△	1-745996-4
OBSOLETE	.125 DIA HOLE	GROUNDING STRAPS	△	1-745996-3
OBSOLETE	FEMALE SCREWLOCKS	CLINCH TABS (SEE DETAIL L)	△	1-745996-2
OBSOLETE	FEMALE SCREWLOCKS	CLINCH TABS (SEE DETAIL L)	△	1-745996-1
OBSOLETE	THREADED INSERTS	CLINCH TABS (SEE DETAIL L)	△	1-745996-0
OBSOLETE	THREADED INSERTS	CLINCH TABS (SEE DETAIL L)	△	745996-9
OBSOLETE	.125 DIA HOLE	CLINCH TABS (SEE DETAIL L)	△	745996-8
OBSOLETE	.125 DIA HOLE	CLINCH TABS (SEE DETAIL L)	△	745996-7
OBSOLETE	FEMALE SCREWLOCKS	GROUNDING STRAPS	△	745996-6
OBSOLETE	FEMALE SCREWLOCKS	GROUNDING STRAPS	△	745996-5
OBSOLETE	THREADED INSERTS	GROUNDING STRAPS	△	745996-4
OBSOLETE	THREADED INSERTS	GROUNDING STRAPS	△	745996-3
OBSOLETE	.125 DIA HOLE	GROUNDING STRAPS	△	745996-2
OBSOLETE	.125 DIA HOLE	GROUNDING STRAPS	△	745996-1
MOUNTING HARDWARE		SHELL VERSION	CONTACT FINISH	PART NUMBER

SUPSD BY 745996-4
 OBSOLETE .125 DIA HOLE
 OBSOLETE .125 DIA HOLE

DO NOT SCALE PRINT. UNLESS SPECIFIED DIMENSIONS IN INCHES TOLERANCES ON: 2 PLC DEC ± 3 PLC DEC ± .005 ANGLES ± 2°	DR 1-23-91 J GALLUCCI BG CHK 4-26-91 R. STONE APPD 4-26-91 J.W. YOUNG MATERIAL △ FINISH △	AMP Incorporated Harrisburg, PA 17105-3608 NAME RCPT ASSY, SIZE 4, 37 POSN, RTANG, W/FRONT METAL SHELL, .026 DIA POSTS, AMLPIMITE™ HD-20 (.590 FOOTPRINT) SHORT LEG SIZE D CAGE CODE 00779 DRAWING NO 745996 SCALE 4:1 SHEET 1 OF 1
APPLICATION SPEC 114-40010	PRODUCT SPEC 108-40025	WEIGHT