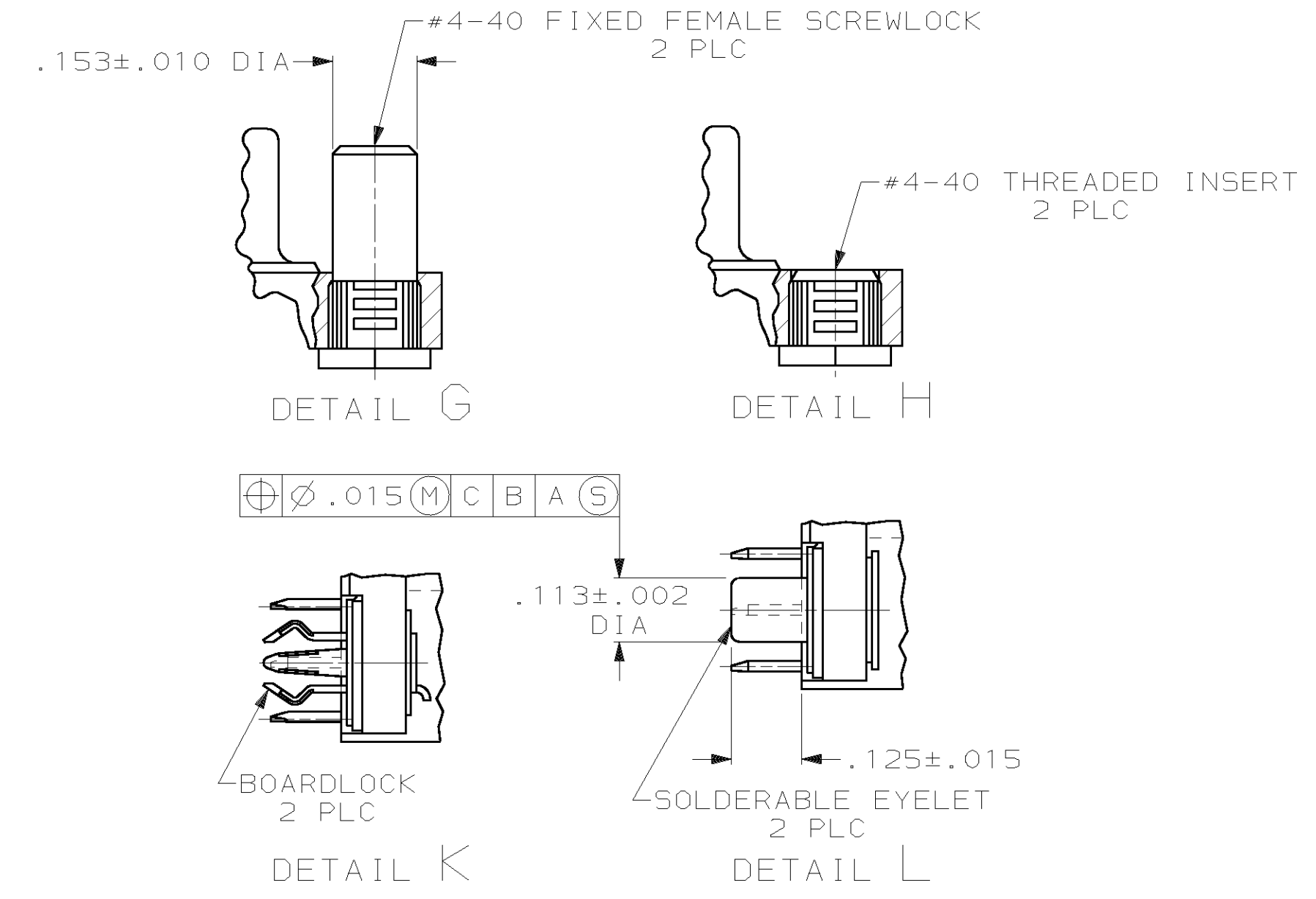
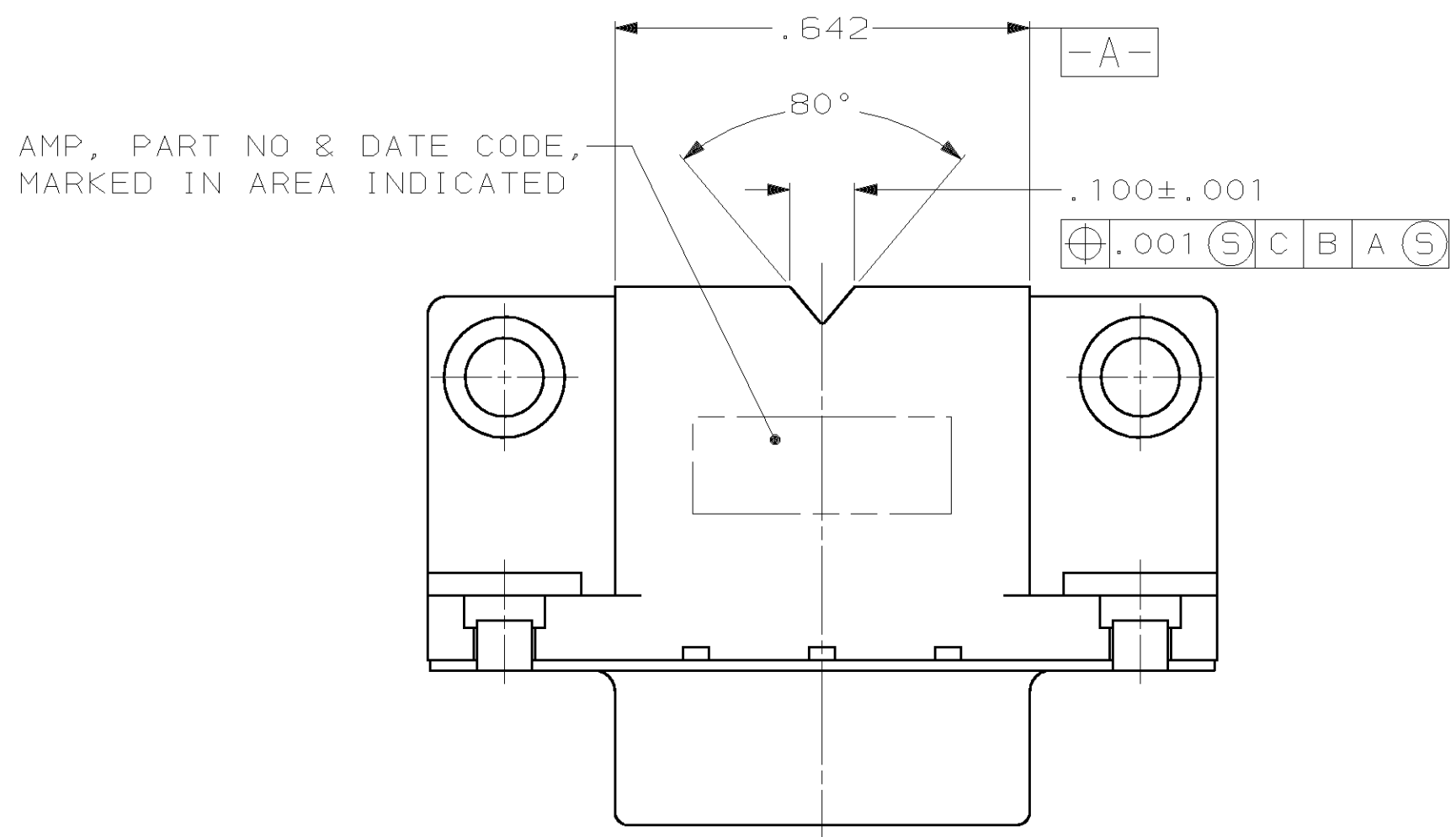
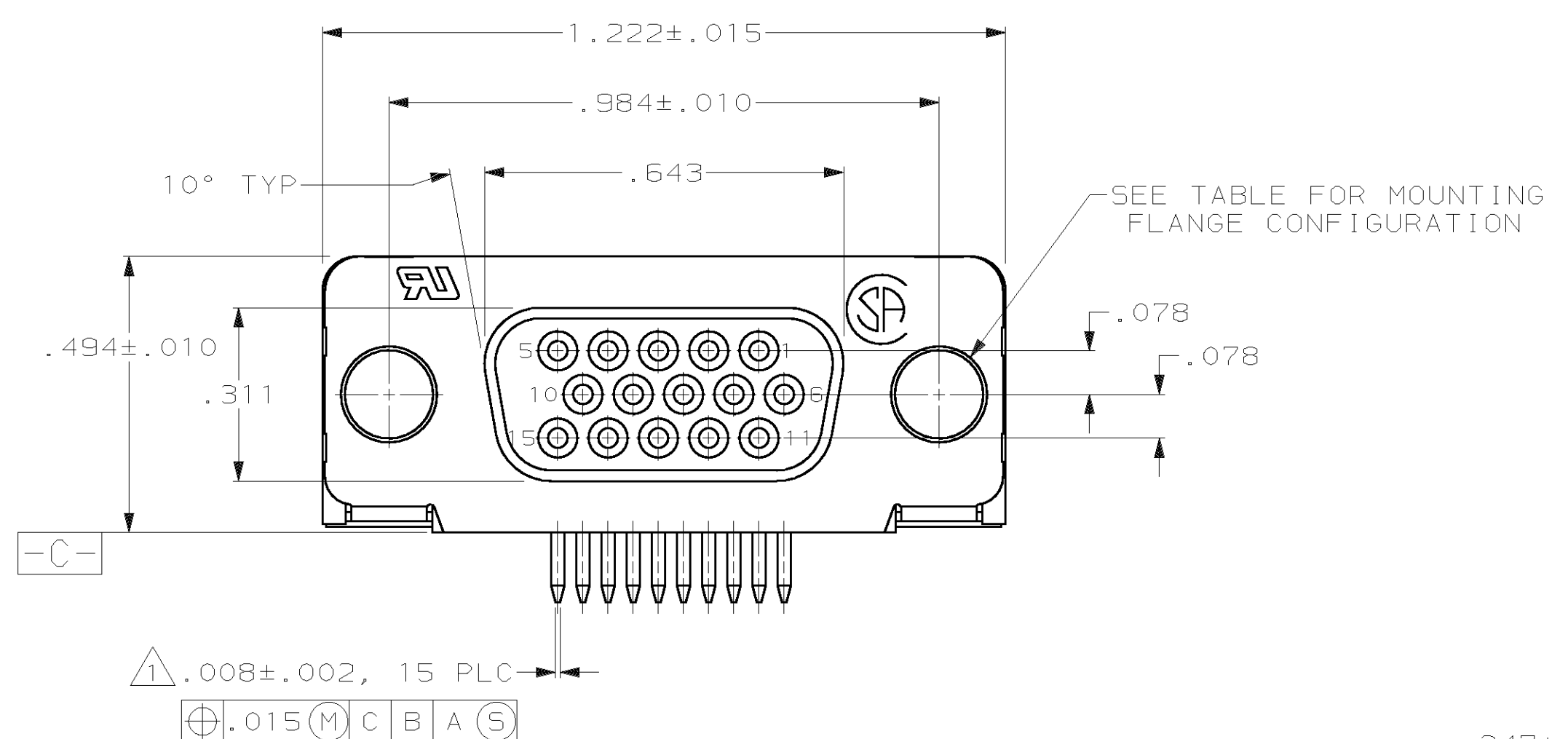


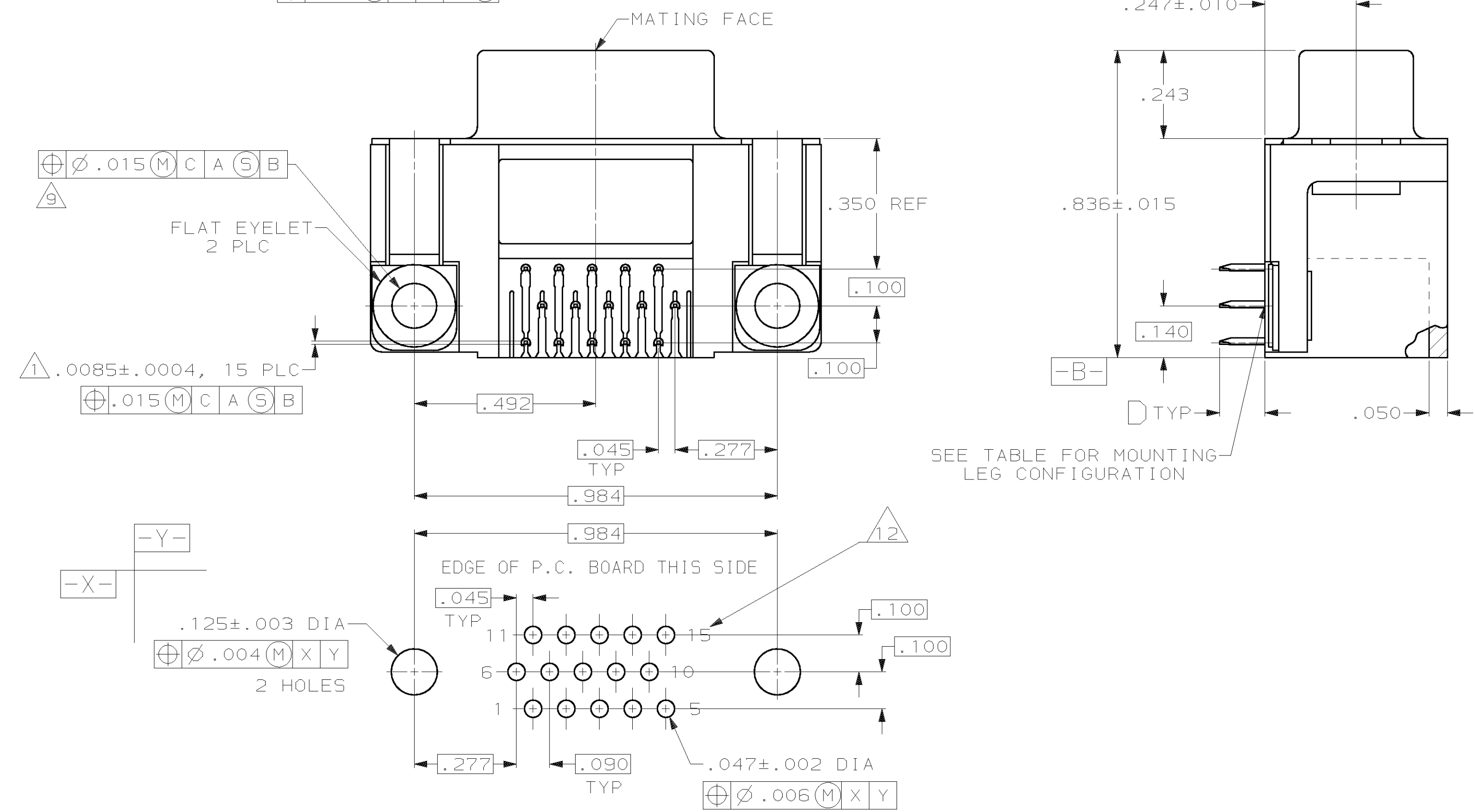
LOC		DIST		REV		REVISIONS		
GP	00	P	F	ZONE	LTR	DESCRIPTION	DATE	APPD
					AT	REVISED PER EC 0513-0121-03	11DEC03	JG



- 1 POSITION TOLERANCE APPLIES AT TIP ONLY.
- 2 NYLON, 94 V-0 RATED, BLACK.
- 3 PHOS. BRONZE PER QQ-B-750.
- 4 STEEL PER ASTM A109.
- 5 FLAT EYELETS & SOLDERABLE EYELETS: BRASS; BOARDLOCKS: COPPER ALLOY; INSERTS & SCREWLOCKS: ZINC.
- 6 GOLD PLATING PER MIL-G-45204, NICKEL PLATING PER QQ-N-290, TIN PLATING PER MIL-T-10727.
- 7 BRIGHT TIN PLATED.
- 8 FLAT EYELETS: BRIGHT TIN PLATED; SOLDERABLE EYELETS & BOARDLOCKS: TIN-LEAD PLATED; SCREWLOCKS: CLEAR CHROMATE; INSERTS: CLEAR CHROMATE.
- 9 POSITION TOLERANCE APPLIES TO .125 DIA HOLE OR TO DIAMETER ESTABLISHED BY LEGS OF BOARDLOCK.
- 10 PLATED WITH GOLD (SEE TABLE FOR THICKNESS) ON MATING END, .000120 MIN TIN-LEAD ON SOLDER END, ALL OVER .000050 MIN NICKEL.
- 11 PART NO INCLUDES BULK PACKED SCREWLOCKS.
- 12 POSITION NUMBERS SHOWN FOR REFERENCE ONLY.
- 13 THIS CONNECTOR IS RATED TO A TEMPERATURE OF 220° C MAX AND 90 SECOND MAXIMUM EXPOSURE TIME.



REVISION	DESCRIPTION	DETAIL K	DETAIL G	DETAIL H	DETAIL L	CONTACT MATING END GOLD THICKNESS	PART NUMBER
OBSOLETE	TUBE SPECIAL	.125±.020	DETAIL K	DETAIL G	.000030 MIN		4-748390-3
SUPERSEDED BY 1470250-6	TRAYS	.085±.010	DETAIL K	DETAIL G	.000030 MIN		4-748390-2
SUPERSEDED BY 1-1470250-4	-	.085±.010	DETAIL K	DETAIL H	FLASH		4-748390-1
SUPERSEDED BY 2-1470250-3	TUBES	.125±.020	DETAIL K	DETAIL H	.000030 MIN		3-748390-9
SUPERSEDED BY 1-1470250-6	-	.085±.010	DETAIL K	DETAIL H	.000030 MIN		3-748390-8
OBSOLETE	-	.105±.010	DETAIL K	DETAIL H	.000030 MIN		3-748390-7
SUPERSEDED BY 1-748390-1	-	.125±.020	DETAIL K	DETAIL H	FLASH		3-748390-6
OBSOLETE	-	.125±.020	DETAIL K	DETAIL G	.000020 MIN		3-748390-5
OBSOLETE	-	.125±.020	DETAIL K	DETAIL H	.000020 MIN		3-748390-4
OBSOLETE	-	.125±.020	DETAIL K	DETAIL H	.000020 MIN		3-748390-3
OBSOLETE	-	.125±.020	DETAIL K	DETAIL H	.000020 MIN		3-748390-2
OBSOLETE	-	.125±.020	DETAIL K	DETAIL G	.000015 MIN		3-748390-1
OBSOLETE	-	.125±.020	DETAIL K	DETAIL G	.000015 MIN		3-748390-0
SUPERSEDED BY 1-748390-1	-	.125±.020	DETAIL K	DETAIL H	.000015 MIN		2-748390-9
OBSOLETE	-	.125±.020	DETAIL K	DETAIL H	.000015 MIN		2-748390-8
OBSOLETE	-	.125±.020	DETAIL K	DETAIL G	.000010 MIN		2-748390-7
OBSOLETE	-	.125±.020	DETAIL K	DETAIL G	.000010 MIN		2-748390-6
OBSOLETE	-	.125±.020	DETAIL K	DETAIL H	.000010 MIN		2-748390-5
OBSOLETE	-	.125±.020	DETAIL K	DETAIL H	.000010 MIN		2-748390-4
OBSOLETE	-	.125±.020	DETAIL K	DETAIL G	FLASH		2-748390-3
SUPERSEDED BY 1-748390-2	-	.125±.020	DETAIL K	DETAIL G	FLASH		2-748390-2
OBSOLETE	-	.125±.020	DETAIL K	DETAIL H	FLASH		2-748390-1
SUPERSEDED BY 748390-6	-	.125±.020	DETAIL K	DETAIL G	.000030 MIN		2-748390-0
SUPERSEDED BY 748390-5	-	.125±.020	DETAIL K	DETAIL H	.000030 MIN		1-748390-9
OBSOLETE	-	.125±.020	DETAIL L	DETAIL G	FLASH		1-748390-8
SUPERSEDED BY 1-748390-4	-	.125±.020	DETAIL L	DETAIL H	FLASH		1-748390-7
SUPERSEDED BY 748390-6	-	.125±.020	DETAIL L	DETAIL G	.000010 MIN		1-748390-5
SUPERSEDED BY 748390-5	-	.125±.020	DETAIL L	DETAIL H	.000030 MIN		1-748390-4
SUPERSEDED BY 1470250-1	-	.125±.020	DETAIL K	DETAIL G	FLASH		1-748390-2
SUPERSEDED BY 1-1470250-1	-	.125±.020	DETAIL K	DETAIL H	FLASH		1-748390-1
SUPERSEDED BY 1470250-3	-	-	-	-	-		748390-6
SUPERSEDED BY 1-1470250-3	-	-	-	-	-		748390-5
PACKAGING	D		MOUNTING LEG CONFIGURATION	MOUNTING FLANGE CONFIGURATION	CONTACT MATING END GOLD THICKNESS		PART NUMBER



P.C. BOARD MOUNTING DIMENSIONS
(.062 PC BOARD THICKNESS FOR SOLDERABLE EYELETS & BOARDLOCKS)
(.093 MAX PC BOARD THICKNESS WITHOUT SOLDERABLE EYELETS & BOARDLOCKS)

DO NOT SCALE PRINT. UNLESS SPECIFIED DIMENSIONS IN INCHES TOLERANCES ON: 2 PLC DEC ± .005 3 PLC DEC ± .005 ANGLES ± 2°	DR 1-27-88 C.RICHARD CHK 1-29-88 S.WELDON APPD 1-29-88 P.KISSINGER APPD 2-1-88 C.RHODE	AMP INCORPORATED Harrisburg, Pa. 17105
MATERIAL: NYLON MOLDED PARTS: NYLON CONTACTS: PHOS. BRONZE SHELL: STEEL HARDWARE: STEEL	NAME: RECEPTACLE ASSY, SIZE 1, 15 POSN, RIGHT ANGLE, FRONT METAL SHELL, AMPLIMITE®HD-22	
FINISH: GOLD CONTACTS: GOLD SHELL: GOLD HARDWARE: ZINC	PRODUCT SPEC: 108-1092 APPLICATION SPEC: 114-40021	SIZE: D FSCM NO: 00779 DRAWING NO: 748390 SCALE: 4:1 SHEET: 1 OF 1