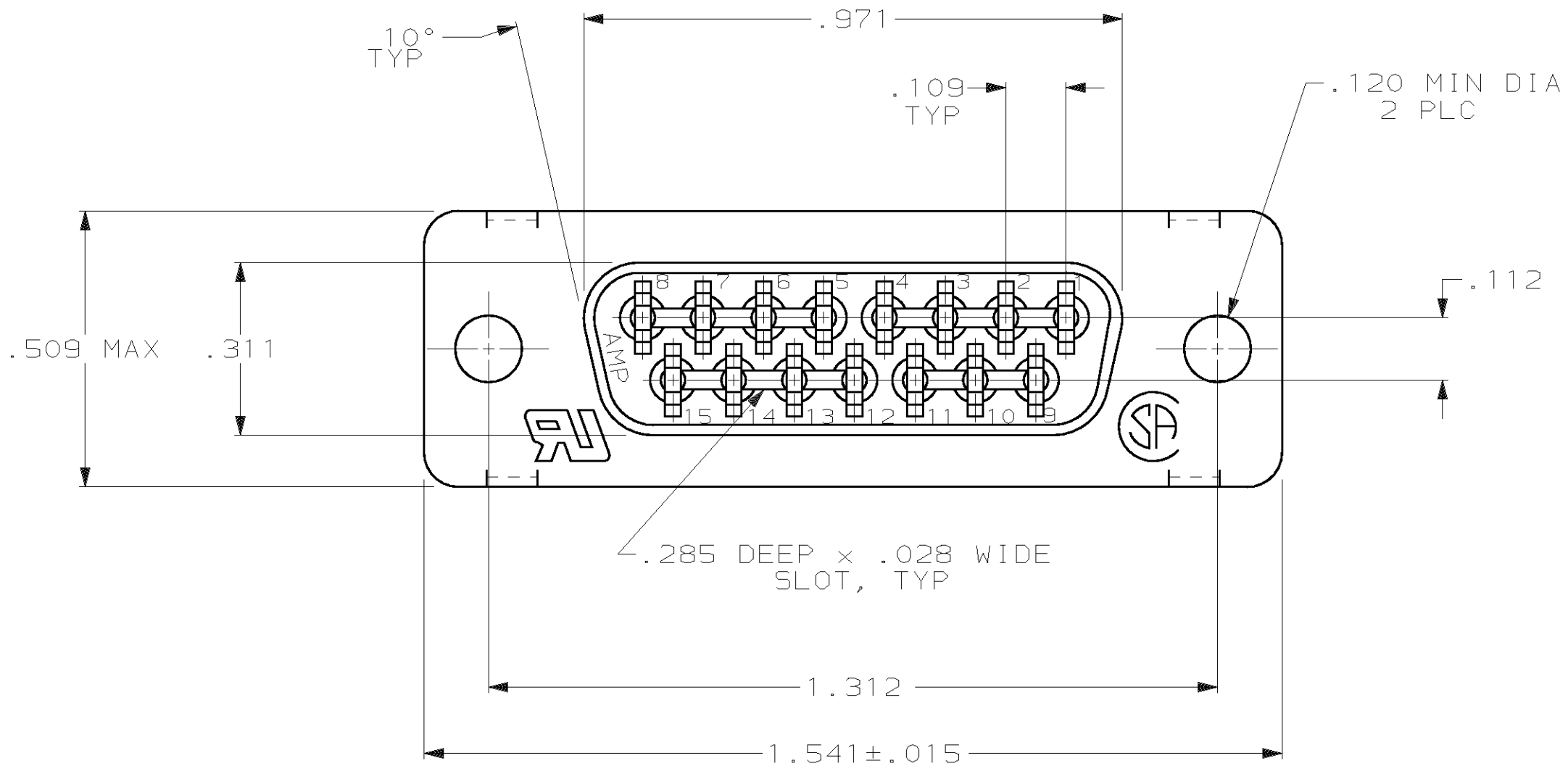
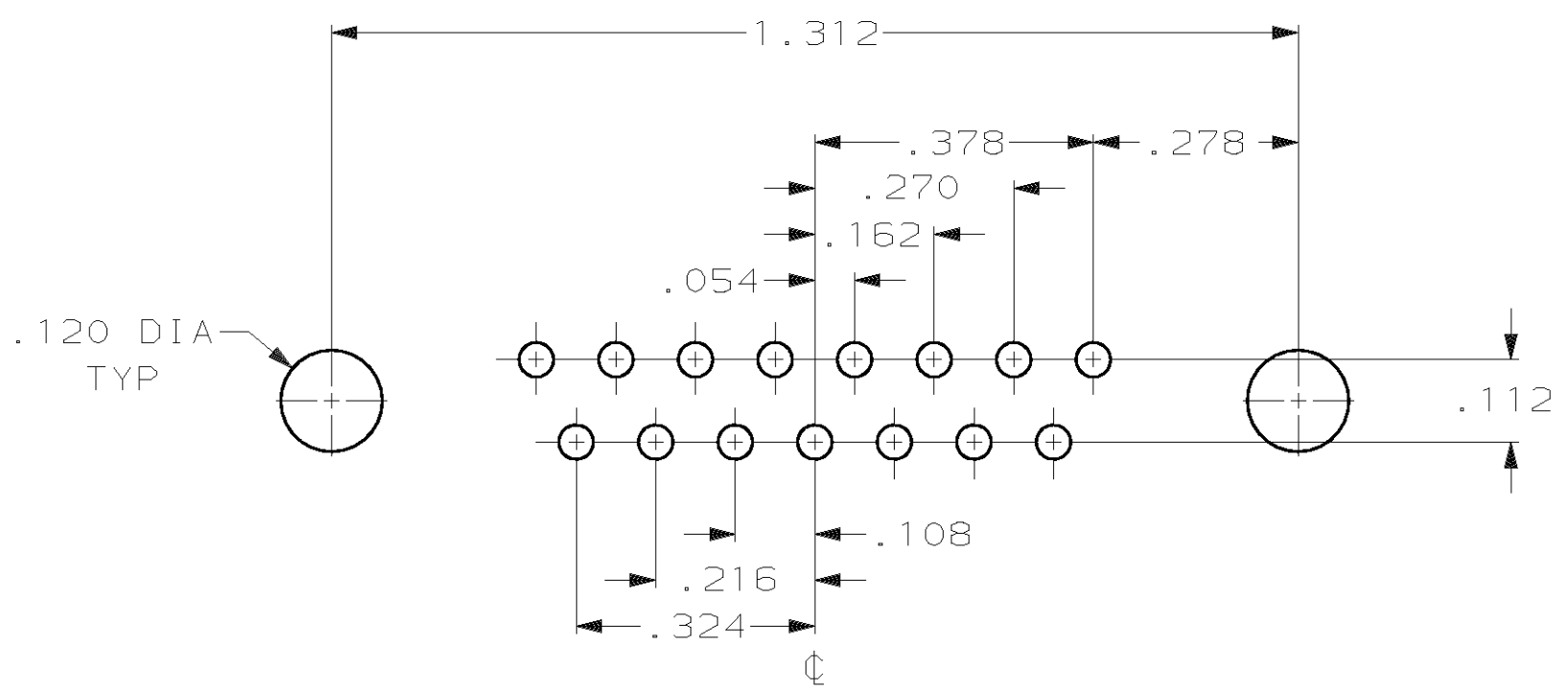
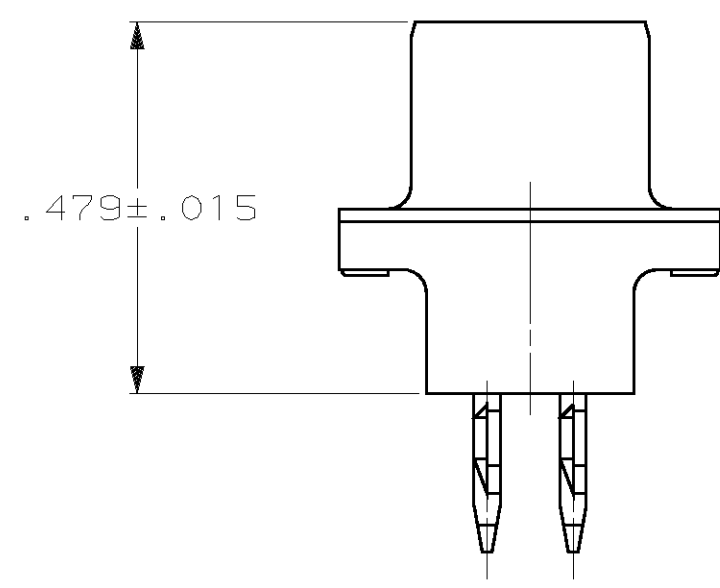
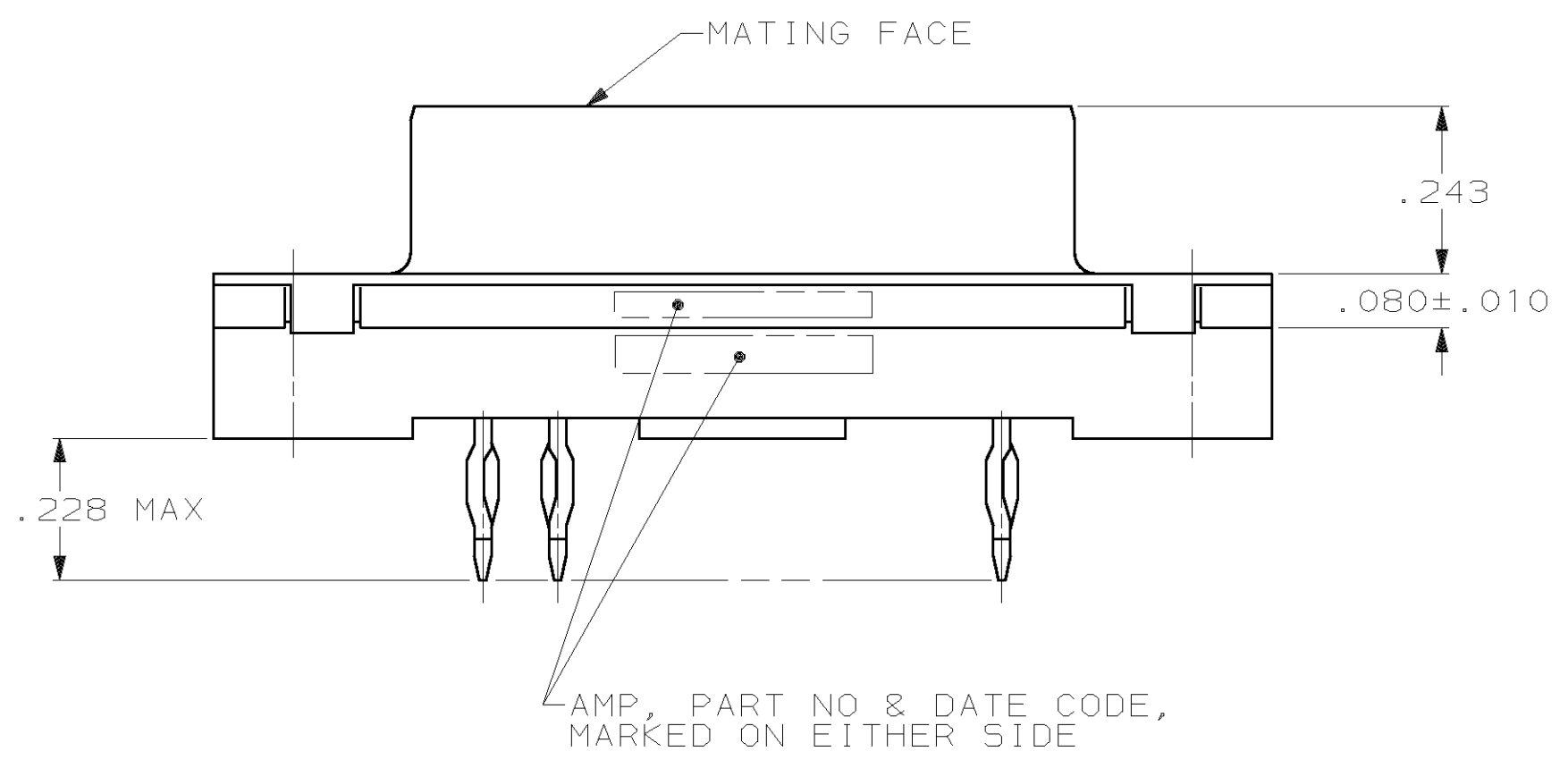


THIS DRAWING IS UNPUBLISHED. RELEASED FOR PUBLICATION ,19 .
 © COPYRIGHT 19 BY AMP INCORPORATED. ALL INTERNATIONAL RIGHTS RESERVED.

LOC		DIST		REVISIONS				DATE	APPD
P	F	ZONE	LTR	DESCRIPTION					
GP	00			H	REV PER EC OUE0-0045-01	06NOV01	JR		



1. PC BOARD RECOMMENDATIONS:
 A. HOLES SHOULD BE DRILLED WITH A 1.15 mm DRILL.
 B. MINIMUM PCB TIN/LEAD PLATING TO BE .0003 THICK OVER .002±.001 THICK COPPER.
 C. RECOMMENDED HOLE SIZE AFTER TIN/LEAD PLATING IS .037 TO .043 FOR PCB .093 TO .125 THICK.
 D. IF HOLE IS REFLOWED AFTER PLATING, DIA TO BE .036 TO .043.
 2. GOLD PLATING PER MIL-G-45204, NICKEL PLATING PER QQ-N-290.
 3. DUPLEX PLATED: GOLD FLASH ON MATING SURFACE, BRIGHT TIN OR BRIGHT TIN LEAD ON COMPLIANT PIN, ALL OVER NICKEL.
 4. DUPLEX PLATED: .000030 GOLD ON MATING SURFACE, BRIGHT TIN OR BRIGHT TIN LEAD ON COMPLIANT PIN, ALL OVER NICKEL.
 5. PLATED .0002-.0004 BRIGHT TIN PER MIL-T-10727.
 6. CONNECTOR MATES WITH ANY SIZE 2, 15 POSITION PLUG IN AMPLIMITE™ SERIES & COMPLIES WITH AMP SPEC 108-40014 WHERE APPLICABLE.



RECOMMENDED PC BOARD HOLE LAYOUT 1

THIS DRAWING IS A CONTROLLED DOCUMENT FOR AMP INCORPORATED. IT IS SUBJECT TO CHANGE AND THE CONTROLLING ENGINEERING ORGANIZATION SHOULD BE CONTACTED FOR THE LATEST REVISION.

DO NOT SCALE PRINT. UNLESS SPECIFIED DIMENSIONS IN INCHES TOLERANCES ON: 2 PLC DEC ± .005 3 PLC DEC ± .005 ANGLES ± 2°		DR 03-31-94 D.HARDY	AMP Incorporated Harrisburg, PA 17105-3608	
MATERIAL HOUSING: FLAME RETARDANT 94V-0 RATED THERMOPLSTC; COLOR: BLACK CONTACTS: COPPER ALLOY SHELL: STEEL PER QQ-S-698		CHK 04-26-94 R.STONE		
FINISH CONTACTS: SEE TABLE SHELL: 5		APPD 04-26-94 M.PERCHERKE	NAME RCPT ASSY, SIZE 2, 15 POSN, AMPLIMITE™ HDP, MDM PROFILE, W/ ACTION PIN CONTACTS & METAL SHELL. (PCB-.093/.125)	
		APPD 04-26-94 M.PERCHERKE	SIZE C	CAGE CODE 00779
		PRODUCT SPEC -	DRAWING NO C=747140	
		APPLICATION SPEC -	SCALE 4:1	SHEET 1 OF 1
		WEIGHT -		

SUPSD BY 747140-2	4	747140-2
	3	747140-1
	2	PART NO