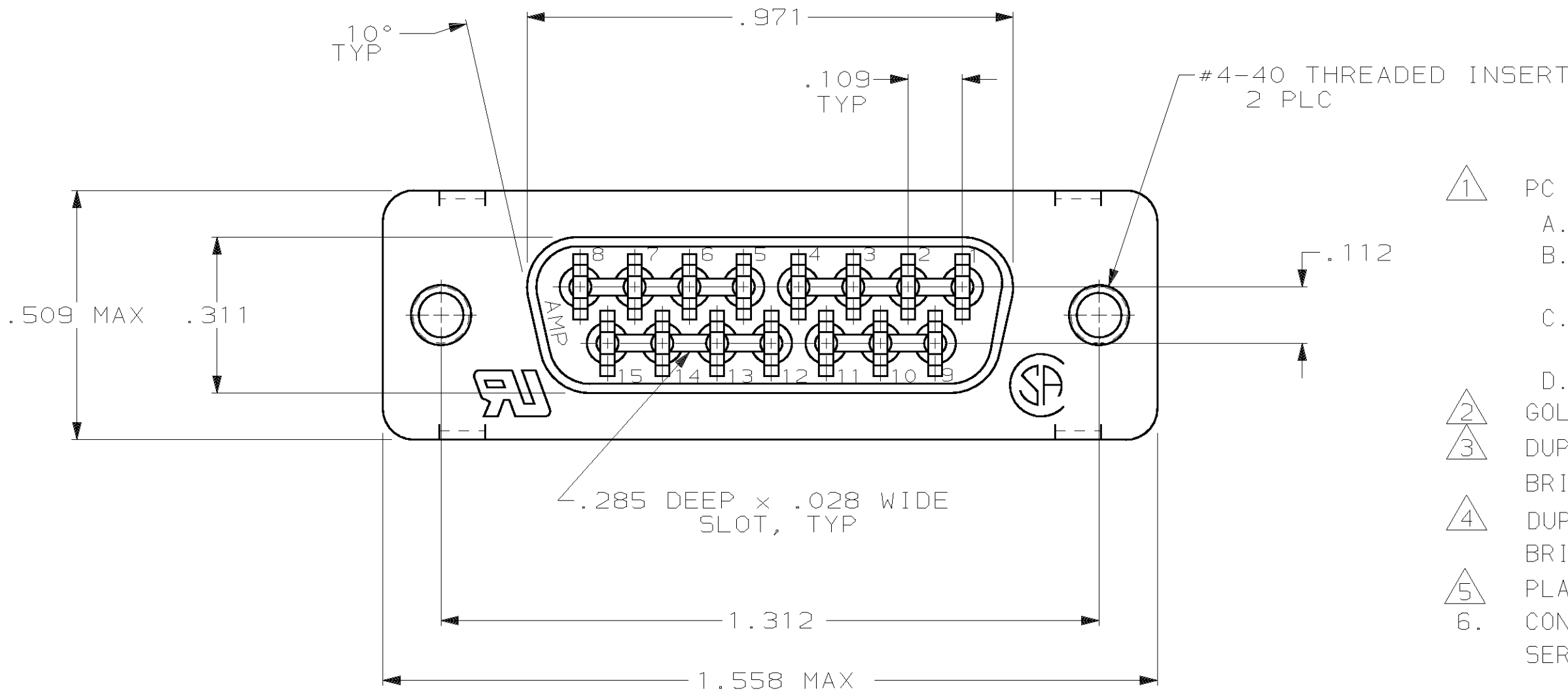
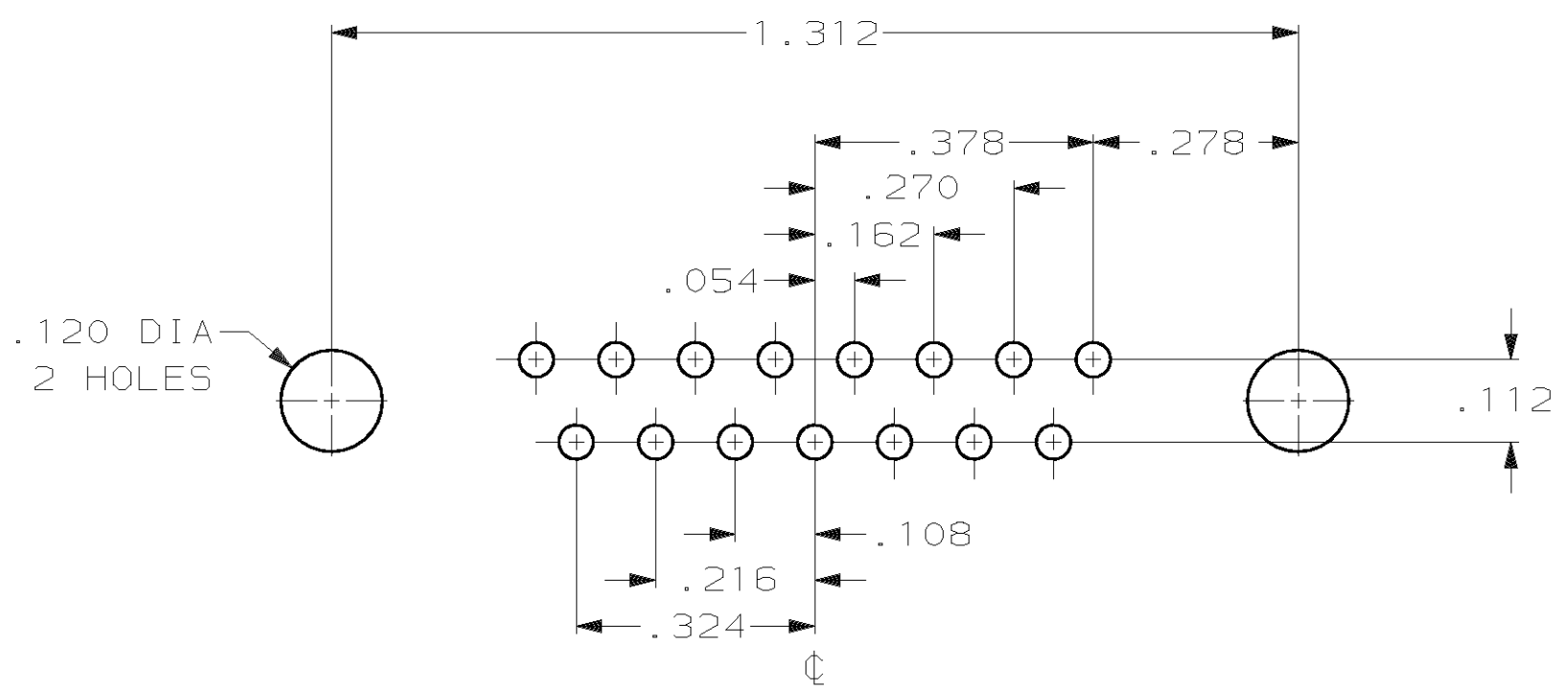
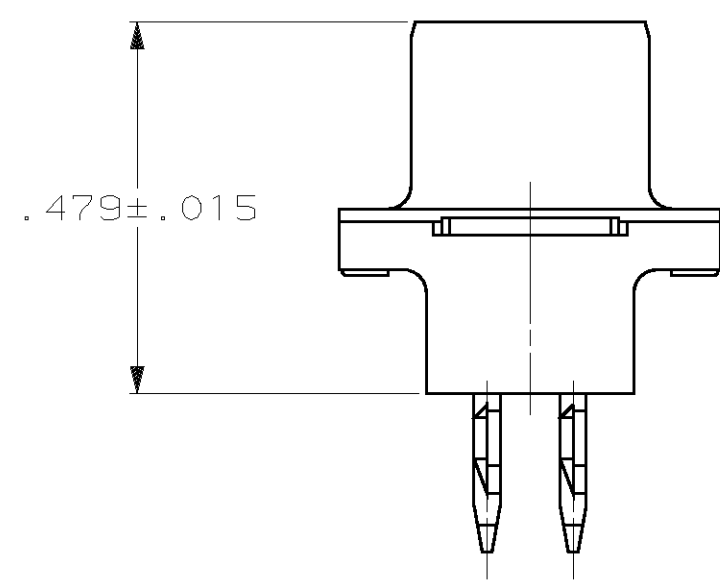
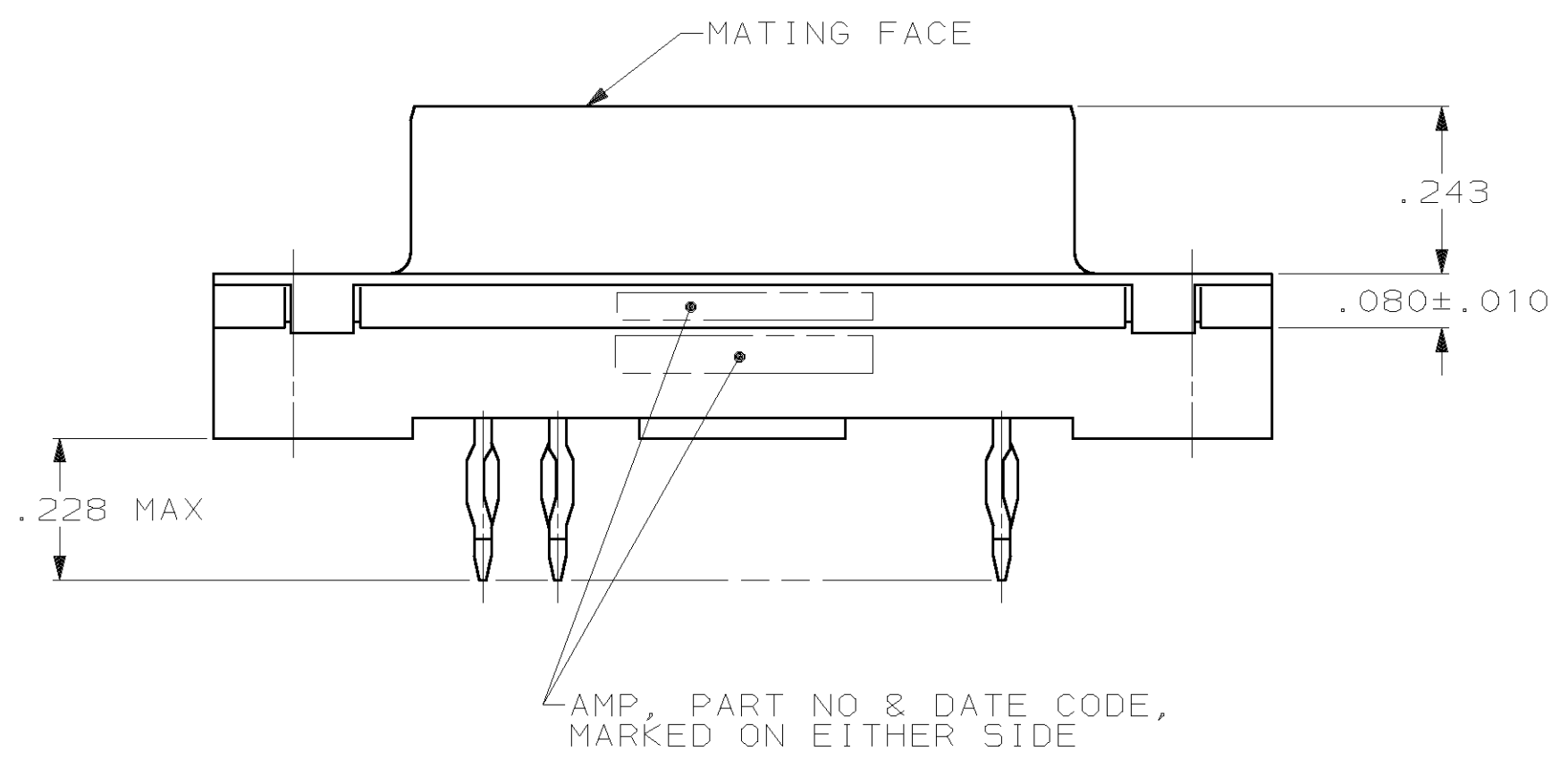


LOC		D15T		REVISIONS				DATE	APPD
GP	00	P	F	ZONE	LTR	DESCRIPTION	06NOV01	JR	
				K		REV PER EC OUE0-0045-01			



- PC BOARD RECOMMENDATIONS:
- A. HOLES SHOULD BE DRILLED WITH A 1.15 mm DRILL.
  - B. MINIMUM PCB TIN/LEAD PLATING TO BE .0003 THICK OVER .002±.001 THICK COPPER.
  - C. RECOMMENDED HOLE SIZE AFTER TIN/LEAD PLATING IS .037 TO .043 FOR PCB .093 TO .125 THICK.
  - D. IF HOLE IS REFLOWED AFTER PLATING, DIA TO BE .036 TO .043.
2. GOLD PLATING PER MIL-G-45204, NICKEL PLATING PER QQ-N-290.
  3. DUPLEX PLATED: GOLD FLASH ON MATING SURFACE, BRIGHT TIN OR BRIGHT TIN LEAD ON COMPLIANT PIN, ALL OVER NICKEL.
  4. DUPLEX PLATED: .000030 GOLD ON MATING SURFACE, BRIGHT TIN OR BRIGHT TIN LEAD ON COMPLIANT PIN, ALL OVER NICKEL.
  5. PLATED .0002-.0004 BRIGHT TIN PER MIL-T-10727.
  6. CONNECTOR MATES WITH ANY SIZE 2, 15 POSITION PLUG IN AMPLIMITE™ SERIES & COMPLIES WITH AMP SPEC 108-40014 WHERE APPLICABLE.



RECOMMENDED PC BOARD HOLE LAYOUT

SUPERSEDED BY 747141-2  
 FINISH 2 PART NO

DO NOT SCALE PRINT. UNLESS SPECIFIED DIMENSIONS IN INCHES TOLERANCES ON : 2 PLC DEC ± .005 3 PLC DEC ± .005 ANGLES ± 2° MATERIAL HOUSING: FLAME RETARDANT 94V-0 RATED THERMOPLSTC; COLOR: BLACK CONTACTS: COPPER ALLOY SHELL: STEEL PER QQ-5-698 INSERT: BRASS FINISH CONTACTS: SEE TABLE SHELL: 2 INSERTS: UNPLATED	DR 03-31-94 D.HARDY	AMP Incorporated Harrisburg, PA 17105-3608	
	CHK 04-26-94 R.STONE		NAME RCPT ASSY, SIZE 2, 15 POSN, AMPLIMITE™ HDP, MDM PROFILE, W/ ACTION PIN CONT & METAL SHELL. (PCB-.093/.125), #4-40 THREADED INSERTS
	APPD 04-26-94 M.PERCHERKE	PRODUCT SPEC -	SIZE C CAGE CODE 00779 DRAWING NO C-747141
	APPD 04-26-94 M.PERCHERKE	APPLICATION SPEC -	SCALE 4:1 SHEET 1 OF 1

THIS DRAWING IS A CONTROLLED DOCUMENT FOR AMP INCORPORATED. IT IS SUBJECT TO CHANGE AND THE CONTROLLING ENGINEERING ORGANIZATION SHOULD BE CONTACTED FOR THE LATEST REVISION.