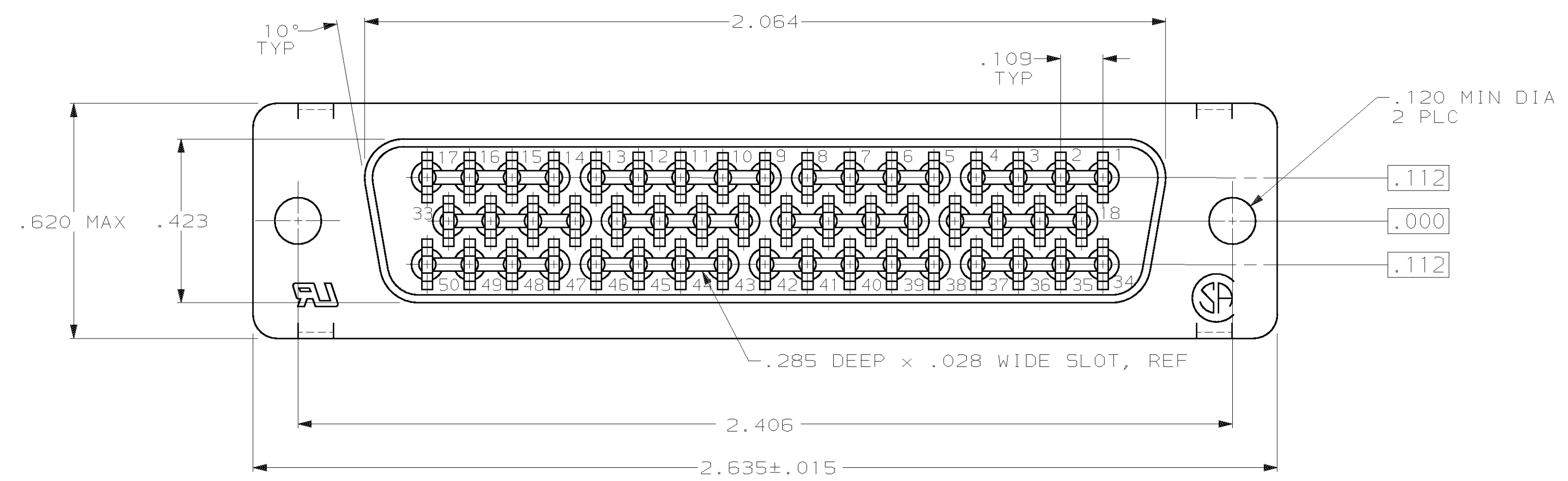
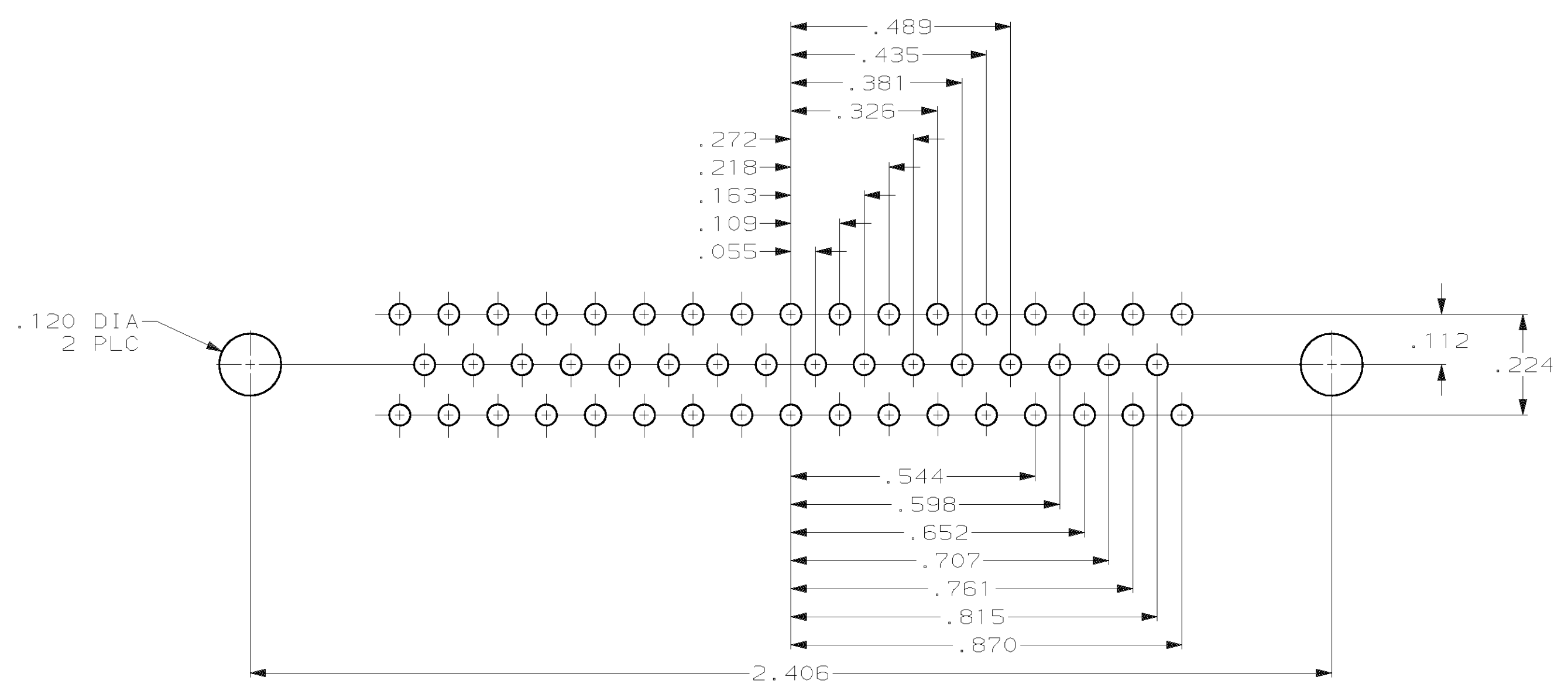
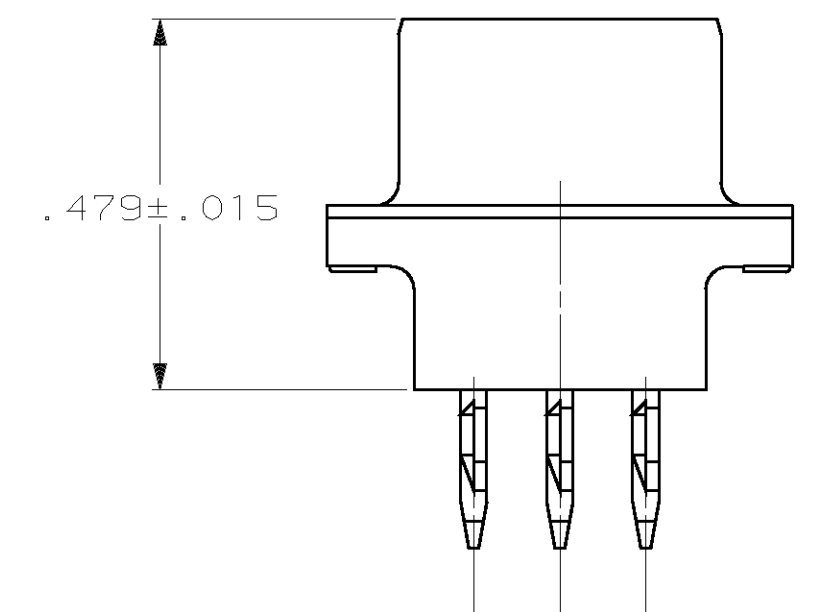
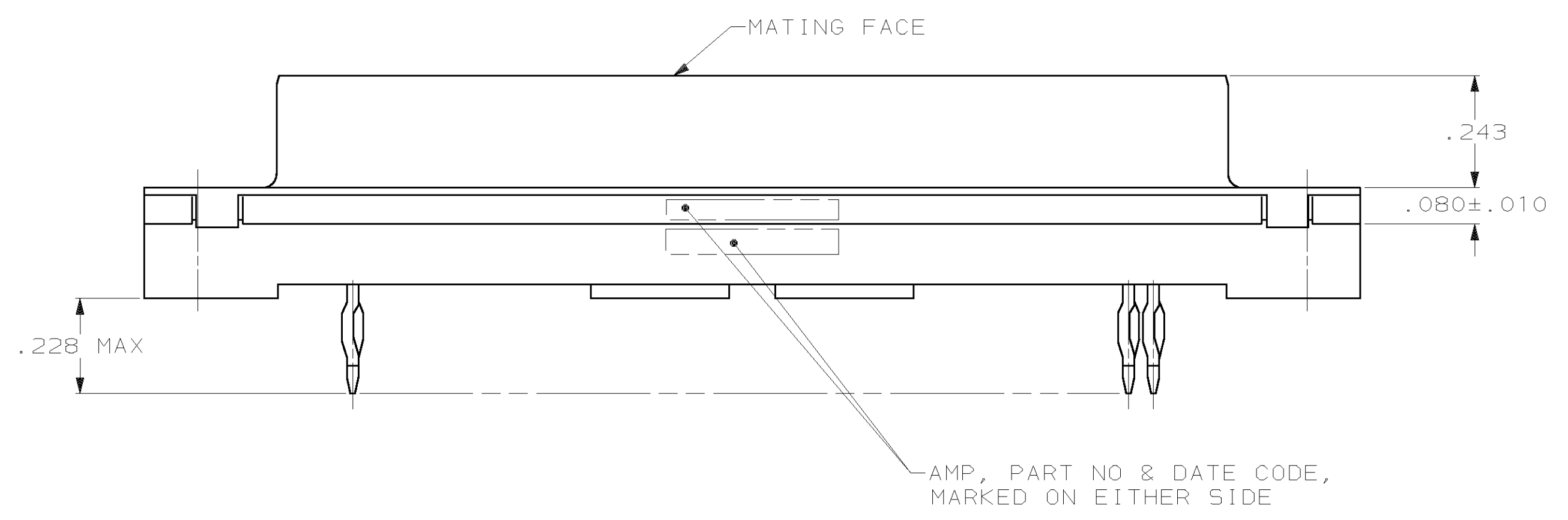


LOC		DIST		REV		REVISIONS		
GP	00	P	F	ZONE	LTR	DESCRIPTION	DATE	APPD
					F	REV PER EC 0UE0-0045-01	06NOV01	JR



- PC BOARD RECOMMENDATIONS:
- Holes should be drilled with a 1.15 mm drill.
 - Minimum PCB tin/lead plating to be .0003 thick over .002±.001 thick copper.
 - Recommended hole size after tin/lead plating is .037 to .043 for PCB .093 to .125 thick.
 - If hole is reflowed after plating, dia to be .036 to .043.
- GOLD PLATING PER MIL-G-45204, NICKEL PLATING PER QQ-N-290.
- DUPLEX PLATED: GOLD FLASH ON MATING SURFACE, BRIGHT TIN OR BRIGHT TIN LEAD ON COMPLIANT PIN, ALL OVER NICKEL.
- DUPLEX PLATED: .000030 GOLD ON MATING SURFACE, BRIGHT TIN OR BRIGHT TIN LEAD ON COMPLIANT PIN, ALL OVER NICKEL.
- PLATED .0002-.0004 BRIGHT TIN PER MIL-T-10727.
- CONNECTOR MATES WITH ANY SIZE 5, 50 POSITION PLUG IN AMPLIMITE™ SERIES & COMPLIES WITH AMP SPEC 108-40014 WHERE APPLICABLE.



RECOMMENDED PC BOARD HOLE LAYOUT

SUPERSEDED BY 747143-2	747143-2
	747143-1
FINISH	PART NO

DO NOT SCALE PRINT. UNLESS SPECIFIED DIMENSIONS IN INCHES. TOLERANCES ON: 2 PLC DEC ± .005 ANGLES ± 2°	DR 04-12-94 D. HARDY CHK 04-26-94 R. STONE APPD 04-26-94 M. PERCHERKE APPD 04-26-94 M. PERCHERKE	AMP AMP Incorporated Harrisburg, PA 17105-3608 NAME RCPT ASSY, SIZE 5, 50 POSN, AMPLIMITE™ HDP, MDM PROFILE, W/ ACTION PIN CONT & METAL SHELL. (PCB .093/.125)		
MATERIAL: HOUSING; FLAME RETARDANT 94V-0 RATED THERMOPLSTC; COLOR: BLACK. CONTACTS; COPPER ALLOY. SHELL; STEEL PER QQ-5-698	PRODUCT SPEC	SIZE	CAGE CODE	DRAWING NO
FINISH: CONTACTS, SEE TABLE. SHELL: Δ	APPLICATION SPEC	D	00779	C=747143
WEIGHT		SCALE	4:1	SHEET 1 OF 1

THIS DRAWING IS A CONTROLLED DOCUMENT FOR AMP INCORPORATED. IT IS SUBJECT TO CHANGE AND THE CONTROLLING ENGINEERING ORGANIZATION SHOULD BE CONTACTED FOR THE LATEST REVISION.