

DRAWING MADE IN THIRD ANGLE PROJECTION

© COPYRIGHT 1980 BY AMP INCORPORATED, HARRISBURG, PA. ALL INTERNATIONAL RIGHTS RESERVED. AMP INCORPORATED PRODUCTS COVERED BY U. S. AND FOREIGN PATENTS AND/OR PATENTS PENDING.

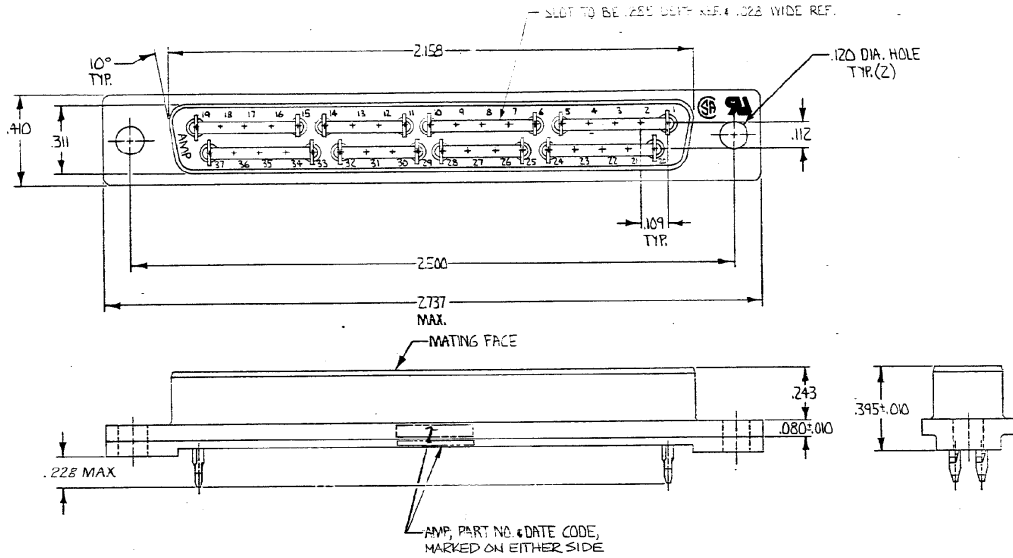
3

2

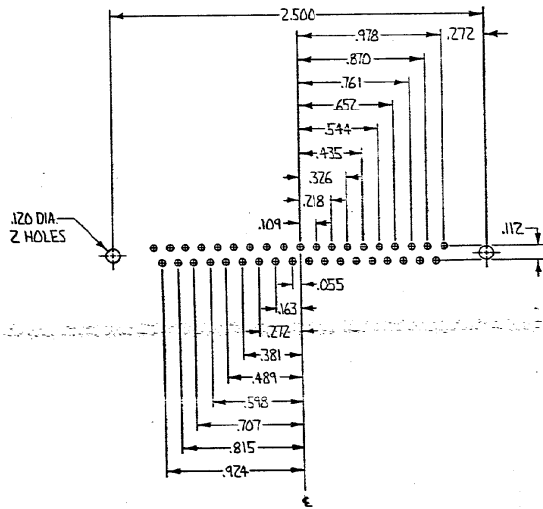
1

LCC 00
GP 00

REVISIONS				DATE	APPROVED
P	F	ZONE/LTR	DESCRIPTION		
		C	REVISED PER EC 0513-0356-02	02MAY83	JG



- △ P.C. BOARD RECOMMENDATIONS:
- A. HOLES SHOULD BE DRILLED WITH A 1.15 MM DRILL.
 - B. MINIMUM P.C.B. TIN/LEAD PLATING TO BE .0003 THICK OVER .002 ± .001 THICK COPPER.
 - C. RECOMMENDED HOLE SIZE AFTER TIN/LEAD PLATING IS .037 TO .043 FOR P.C.B. .093 TO .125 THICK.
 - D. IF HOLE IS REFLOWED AFTER PLATING, DIA. TO BE .026 TO .043.
 - △ GOLD PLATING PER MIL-G-45204 NICKEL PLATING PER QQ-N-290.
 - △ DUPLEX PLATED: GOLD FLASH ON MATING SURFACE, BRIGHT TIN OR BRIGHT TIN LEAD ON COMPLIANT PIN, ALL OVER NICKEL.
 - △ DUPLEX PLATED: .000003 GOLD ON MATING SURFACE, BRIGHT TIN OR BRIGHT TIN LEAD ON COMPLIANT PIN, ALL OVER NICKEL.



RECOMMENDED P.C. BOARD HOLE LAYOUT △

OBSOLETE	△	745337-2
	△	745337-1
FINISH	△	PART NO

UNLESS OTHERWISE SPECIFIED DIMENSIONS ARE IN INCHES. TOLERANCES ON: DECIMALS ±.005 ANGLES ±.7°	CONTRACT NO	AMP AMP INCORPORATED Harrisburg, Pa.	
	DR <i>[Signature]</i> 2-7-80	NAME	
MATERIAL RECEPTACLE: FLAME RETARDANT 94V-0 RATED THERMOPLASTIC; COLOR: BLACK CONTACTS: COPPER ALLOY FINISH CONTACTS: SEE TABLE	CHK <i>[Signature]</i> 12-17-80	RECEPTACLE ASSEMBLY, SIZE #4, 37 POSITION, TYPE HDB, AMPLIMITE, LOW PROFILE, W/ ACTION PIN CONTACTS (.093/.125)	
	APPR <i>[Signature]</i> 1-26-81	SIZE CODE IDENT NO DRAWING NO	
	DSGN APPD <i>[Signature]</i> 1-26-81	C 00779 745337	
	OTHER APPD	SCALE	SHEET

745337