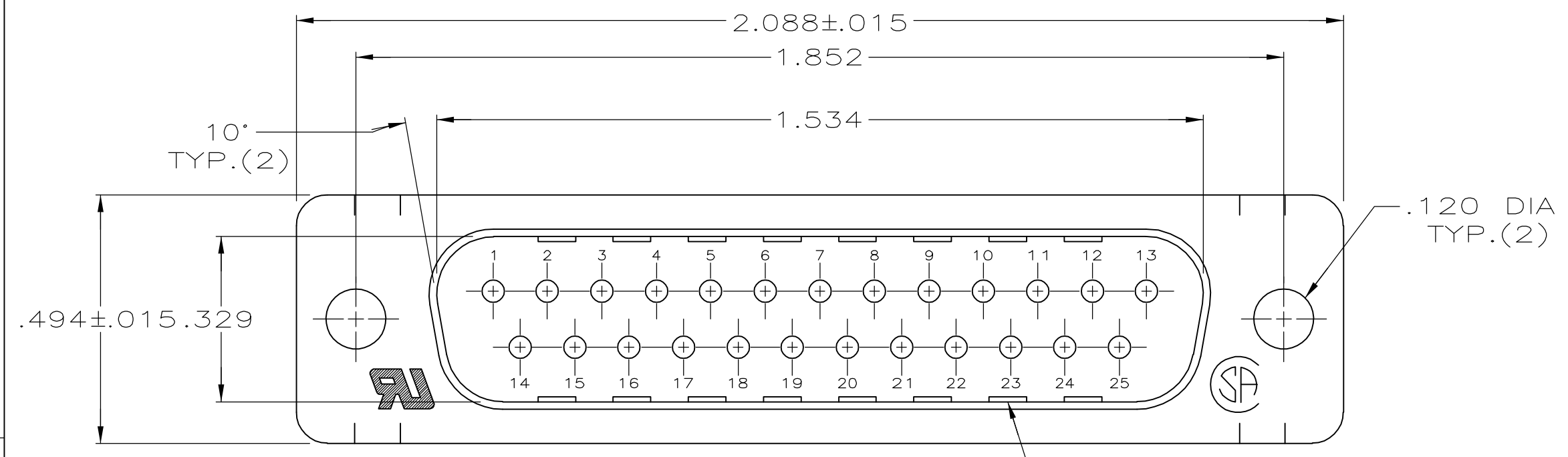
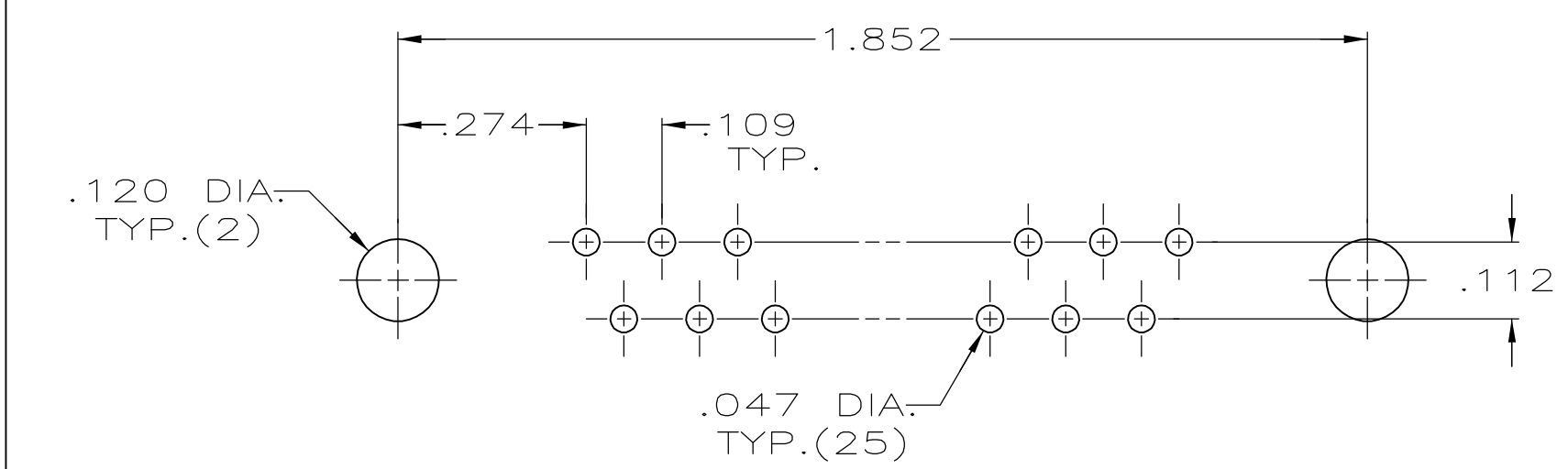
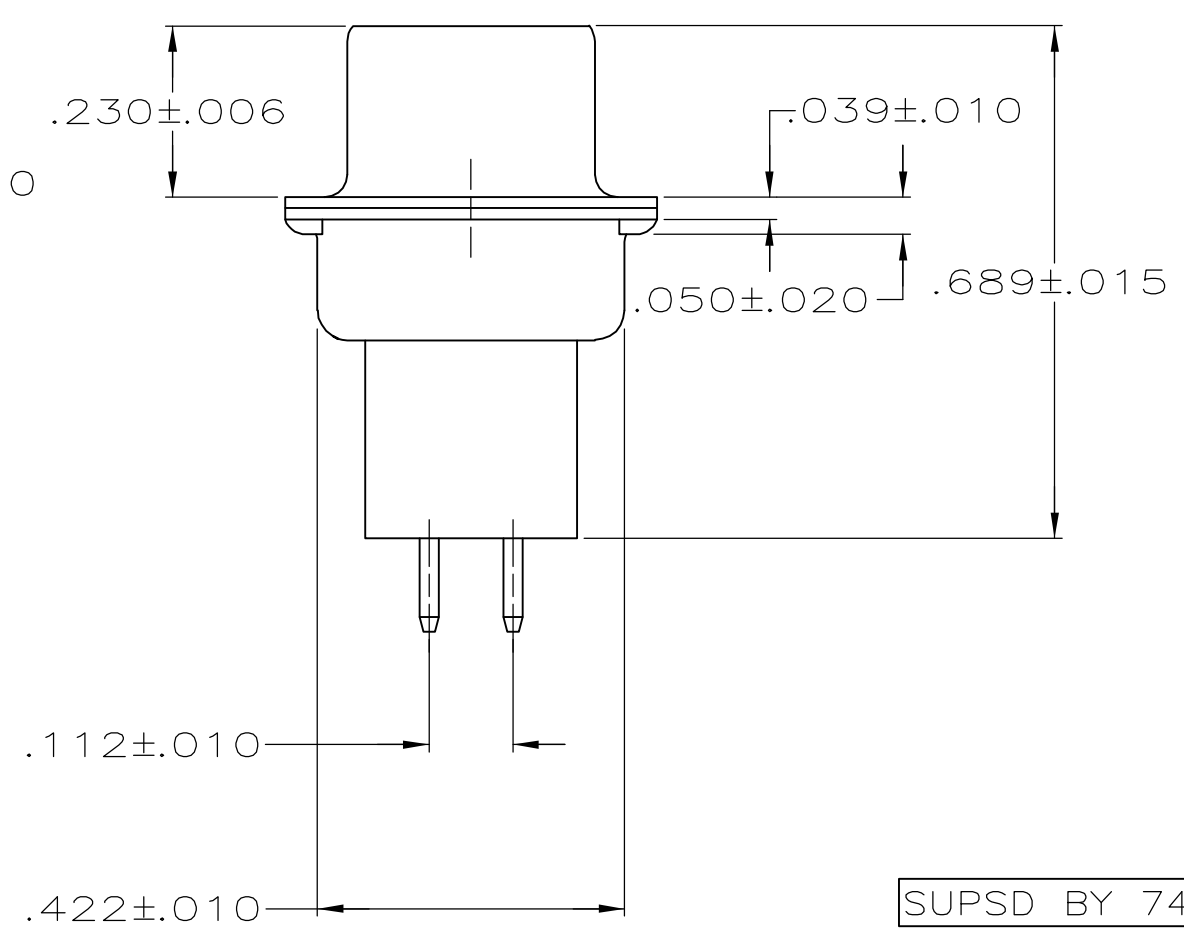
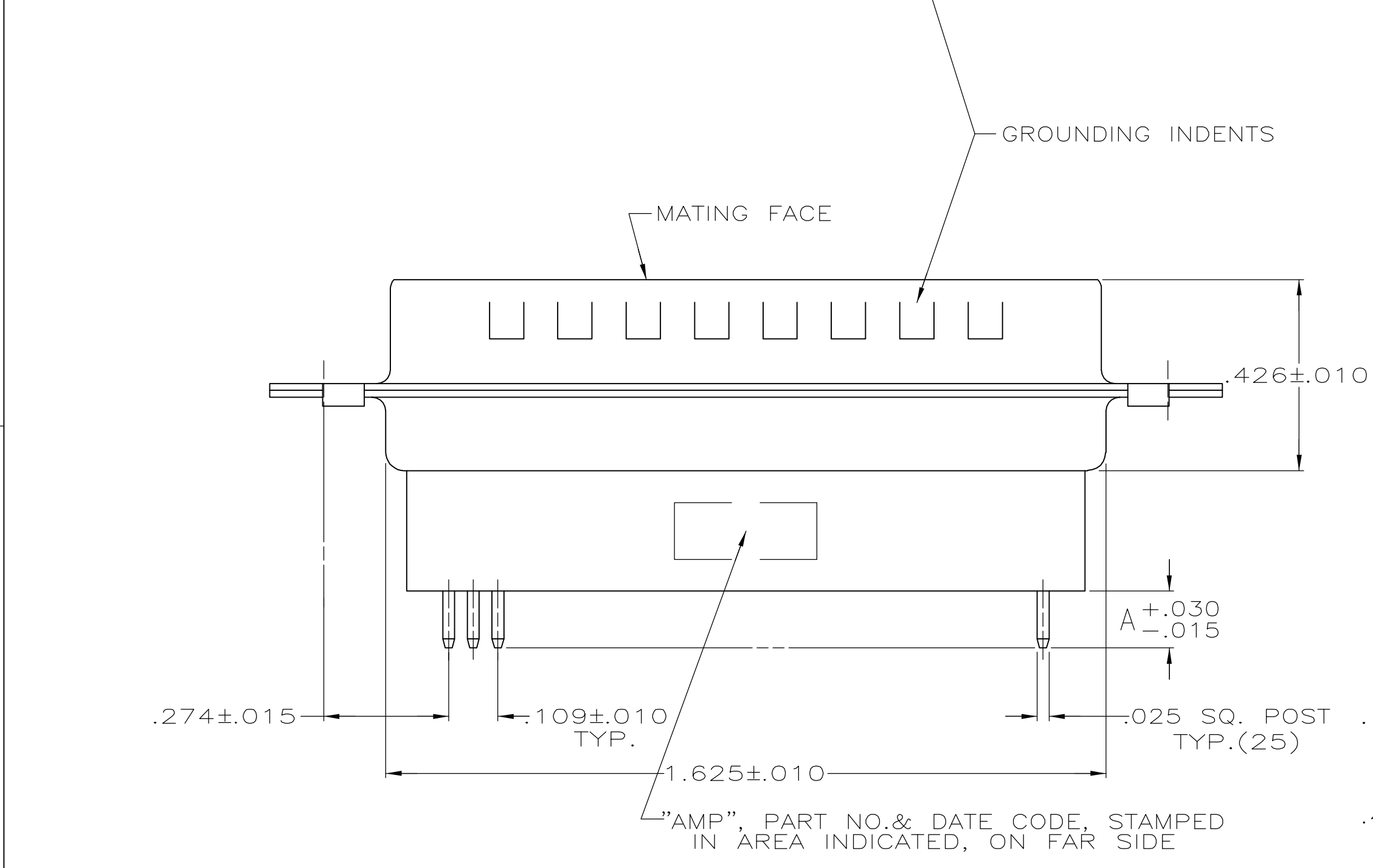


THIS DRAWING IS UNPUBLISHED. RELEASED FOR PUBLICATION  
 © COPYRIGHT BY TYCO ELECTRONICS CORPORATION. ALL RIGHTS RESERVED.

| LOC |     | DIST                     |           | REVISIONS |      |  |  |
|-----|-----|--------------------------|-----------|-----------|------|--|--|
| P   | LTR | DESCRIPTION              | DATE      | DWN       | APVD |  |  |
| GP  | 00  |                          |           |           |      |  |  |
|     | J   | REVISED PER ECO-06028338 | 11/DEC/06 | ZMR       | EDB  |  |  |



1. CONNECTOR MATES WITH ANY 25 POS. RECEPTACLE IN AMPLIMITE SERIES & COMPLIES WITH AMP SPEC. 108-40,005 WHERE APPLICABLE.
2. MOLDED PARTS: FLAME RETARDANT 94V-0 RATED THERMOPLASTIC; COLOR, BLACK  
CONTACT: BRASS  
SHELLS: STEEL
3. GOLD FLASH FOR A LENGTH OF .150 MIN FROM MATING END .000100 MIN TIN-LEAD ON OPPOSITE END, ALL OVER 1.27 MIN NICKEL.
4. GOLD PLATED FOR A LENGTH OF .150 FROM MATING END, .000030 MIN GOLD IN MATED AREA, .000100 MIN TIN-LEAD ON OPPOSITE END, ALL OVER .000050 MIN NICKEL.  
-OR-  
GOLD FLASH OVER PALLADIUM NICKEL PLATED FOR LENGTH OF .150 MIN FROM MATING END, .000030 MIN PALLADIUM NICKEL IN MATED AREA, .000100 MIN TIN-LEAD ON OPPOSITE END, ALL OVER .000050 MIN NICKEL.
5. .000200 MIN TIN OR TIN-LEAD OVER .000100 MIN COPPER.



| SUPSD BY          | CONTACT FINISH | DIMENSION A | PART NUMBER |
|-------------------|----------------|-------------|-------------|
| SUPSD BY 745412-7 | 3              | .188        | 745412-8    |
|                   | 4              | .188        | 745412-7    |
| OBSOLETE          | 3              | .651        | 745412-6    |
| SUPSD BY 745412-1 | 4              | .651        | 745412-5    |
| SUPSD BY 205737-4 | 3              | .427        | 745412-4    |
| SUPSD BY 205737-3 | 4              | .427        | 745412-3    |
| SUPSD BY 745412-1 | 3              | .125        | 745412-2    |
|                   | 4              | .125        | 745412-1    |

|  |  |                        |   |  |
|--|--|------------------------|---|--|
| THIS DRAWING IS A CONTROLLED DOCUMENT. |  | DWN J.GERACE 10-25-83  | Tyco Electronics Corporation<br>Harrisburg, PA 17105-3608                                     |  |
| DIMENSIONS: INCHES                     |  | CHK J.GERACE 10-25-83  |   |  |
| TOLERANCES UNLESS OTHERWISE SPECIFIED: |  | APVD B. TAYLOR 1-04-84 | NAME  |  |
| 0 PLC ± -                              |  | PRODUCT SPEC           | PLUG ASSEMBLY, SIZE 3, 25 POSN, VERTICAL, .025 SQ. POSTS, W/ GROUNDING INDENTS, AMPLIMITE™HDP |  |
| 1 PLC ± -                              |  | APPLICATION SPEC       | SIZE CAGE CODE DRAWING NO RESTRICTED TO   |  |
| 2 PLC ± -                              |  |                        | A2 00779 C=745412   |  |
| 3 PLC ± .005                           |  | WEIGHT                 | SCALE SHEET 1 OF 1 REV J  |  |
| 4 PLC ± -                              |  | CUSTOMER DRAWING       |   |  |
| ANGLES ± -                             |  |                        |   |  |
| FINISH                                 |  |                        |   |  |
| SHELLS: 3                              |  |                        |   |  |
| CONTACTS: SEE TABLE                    |  |                        |   |  |