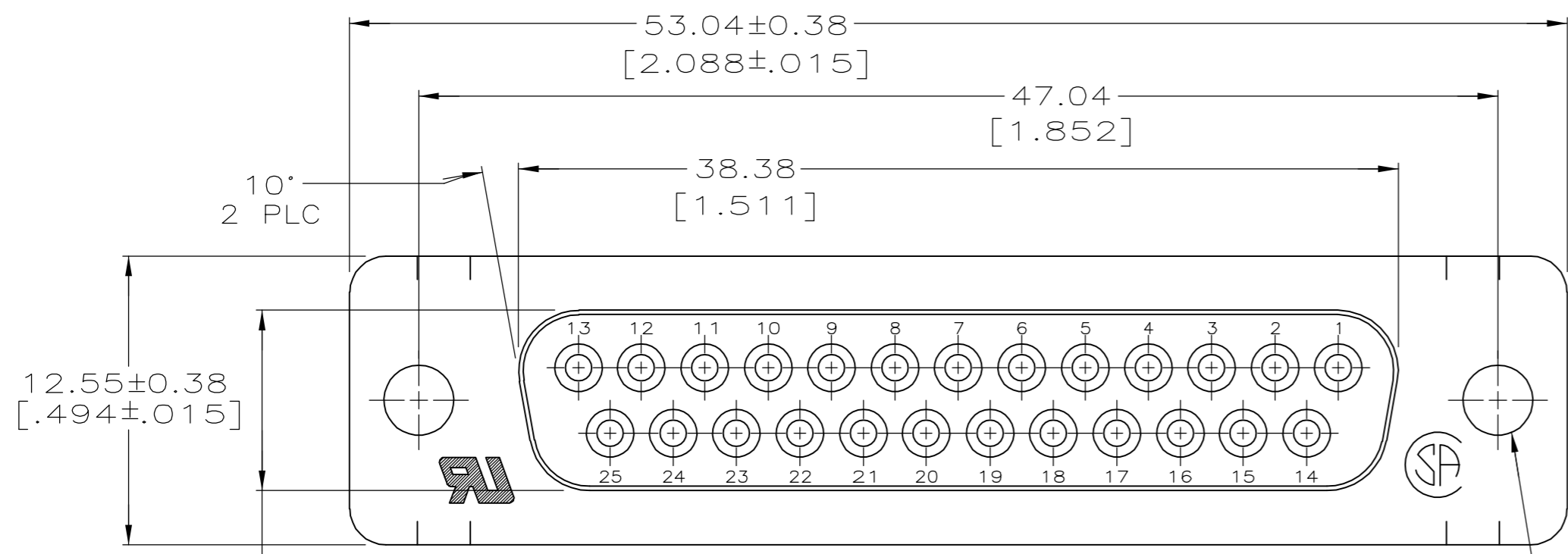
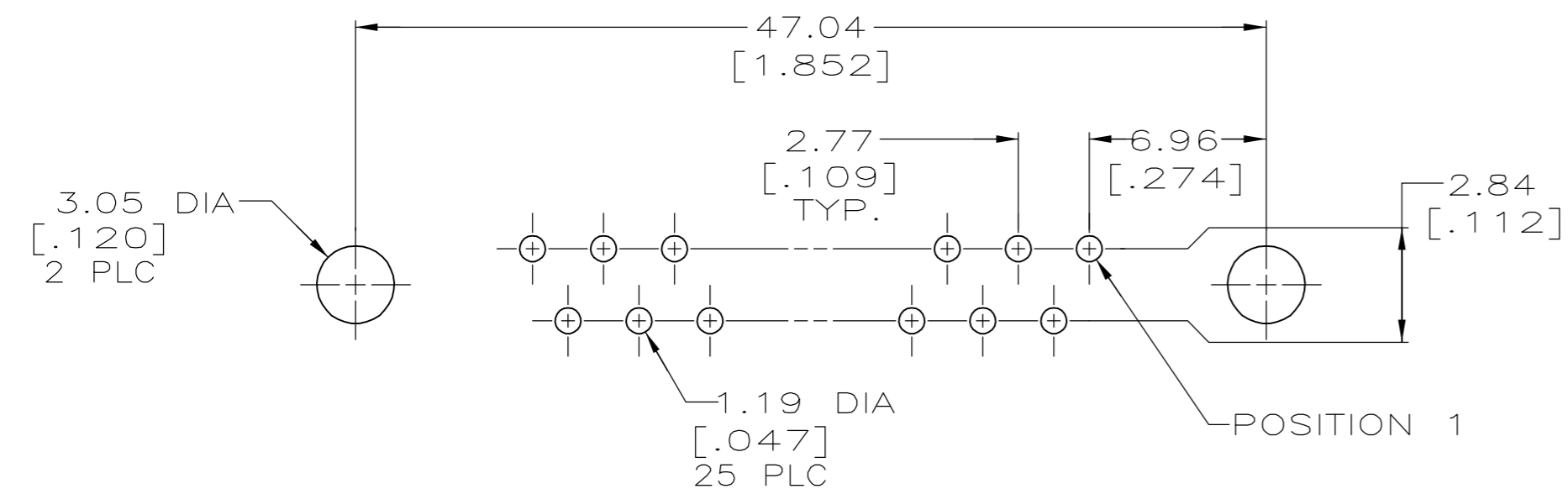
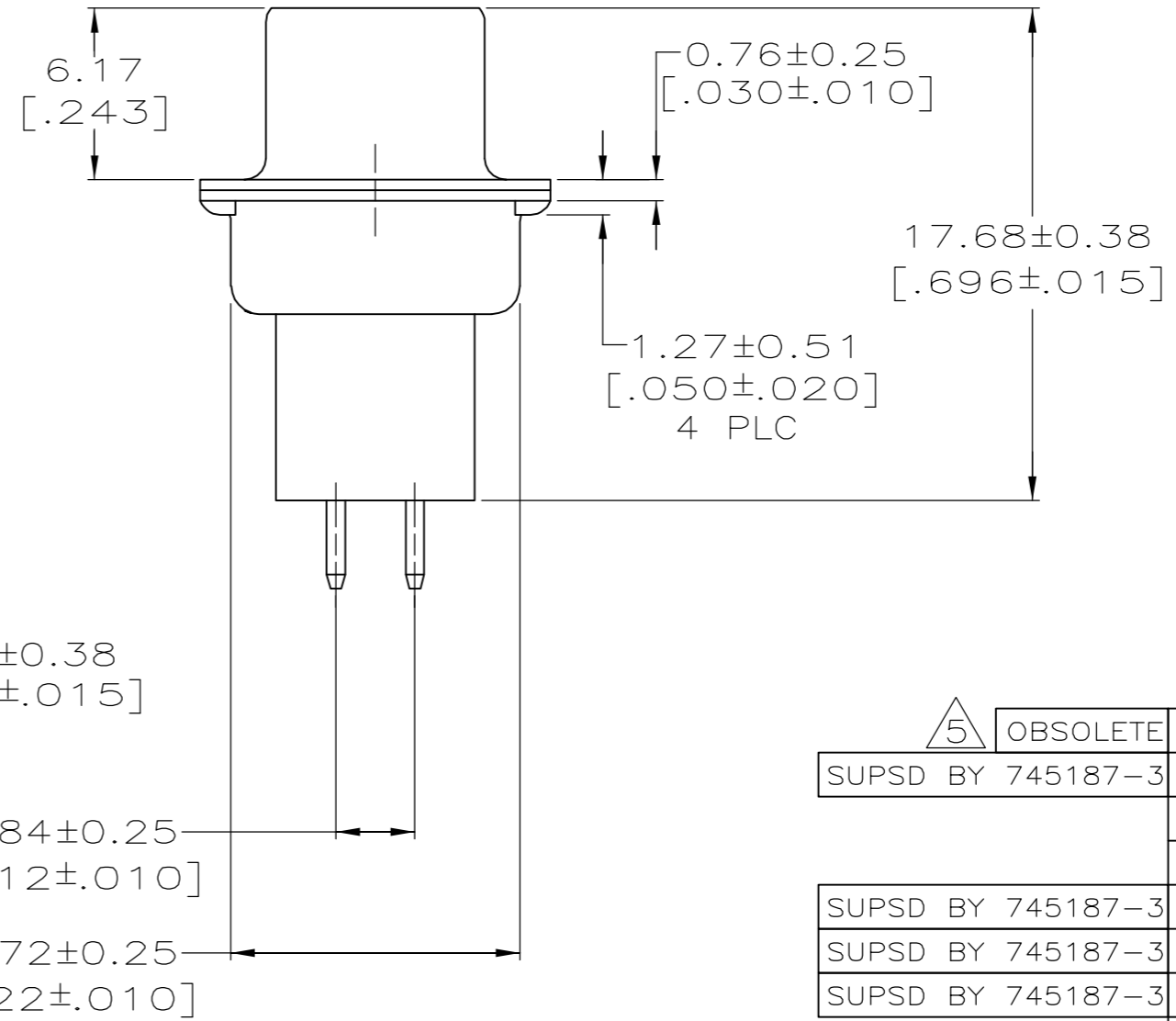
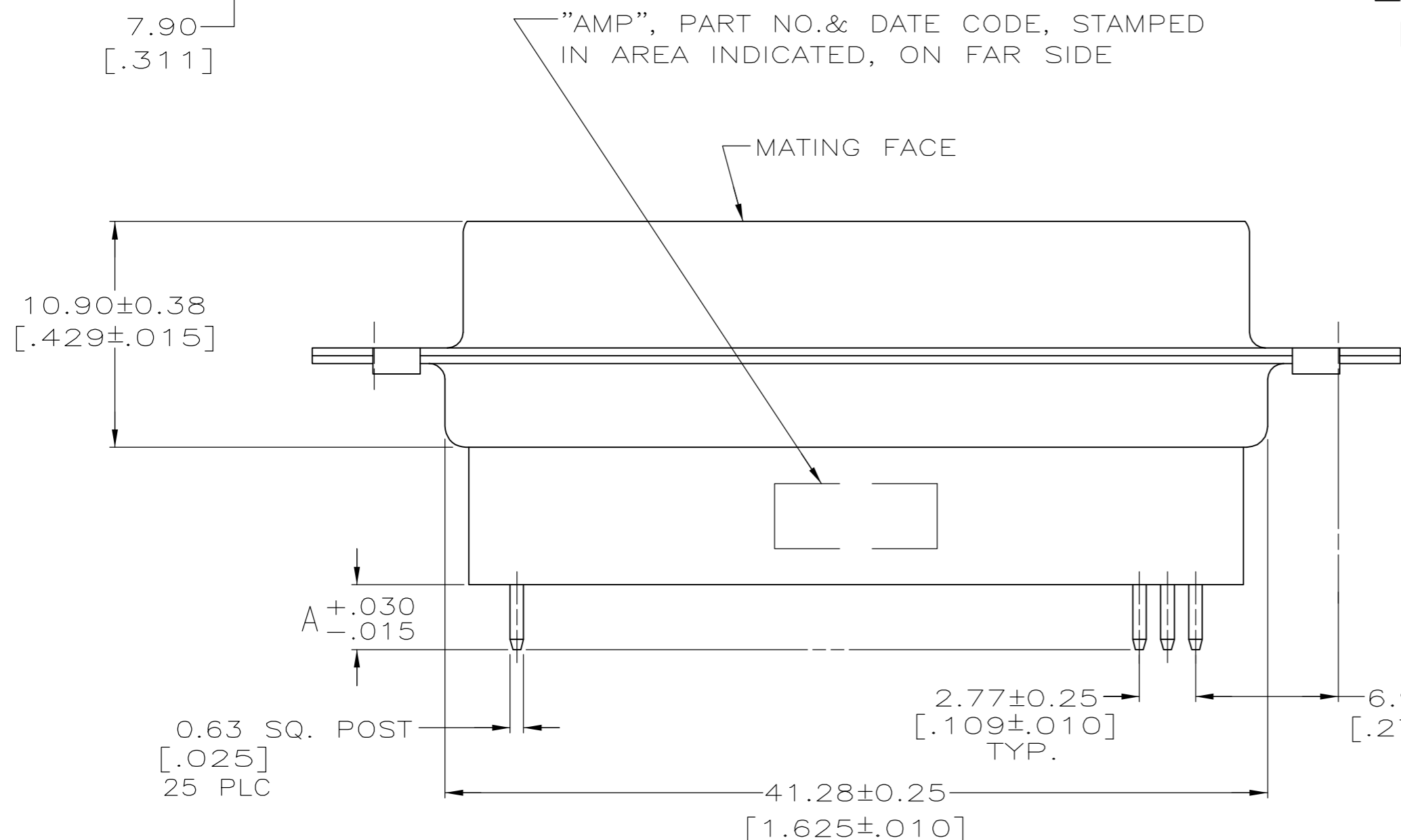


THIS DRAWING IS UNPUBLISHED. RELEASED FOR PUBLICATION
 © COPYRIGHT BY TYCO ELECTRONICS CORPORATION. ALL RIGHTS RESERVED.

LOC		DIST		REVISIONS			
P	LTR	DESCRIPTION	DATE	DWN	APVD		
GP	00	N	REVISED PER ECO-06-028338	11/DEC/06	ZMR	E	EDB



- CONNECTOR MATES WITH ANY 25 POS. PLUG IN AMPLIMITE SERIES & COMPLIES WITH AMP SPEC. 108-40,005 WHERE APPLICABLE.
- MOLDED PARTS: FLAME RETARDANT 94V-0 RATED THERMOPLASTIC; COLOR: BLACK. SHELLS: STEEL, CONTACTS: PHOS. BRONZE.
- GOLD FLASH ON MATING END, 2.54µm [.000100] MIN TIN-LEAD ON SOLDER END, ALL OVER 1.27µm [.000050] MIN NICKEL.
- 0.76µm [.000030] MIN GOLD ON MATING END, 2.54µm [.000100] MIN TIN-LEAD ON OPPOSITE END, ALL OVER 1.27µm [.000050] MIN NICKEL. -OR- GOLD FLASH OVER 0.76µm [.000030] MIN PALLADIUM NICKEL ON MATING END, 2.54µm [.000100] MIN TIN-LEAD ON OPPOSITE END, BOTH OVER 1.27µm [.000050] MIN NICKEL.
- SELECTIVELY LOADED CAVITIES 2,3,4,5,8,10,14,15, 16,17,21,23, AND 24.
- 5.08µm [.000200] MIN TIN OR TIN-LEAD OVER 2.54µm [.000100] MIN COPPER.



CONTACT FINISH	DIMENSION A	PART NUMBER
5	3.17 [.125]	1-745187-0
4	8.43 [.332]	745187-9
3	4.77 [.188]	745187-8
4	4.77 [.188]	745187-7
3	16.53 [.651]	745187-6
4	16.53 [.651]	745187-5
3	10.84 [.427]	745187-4
4	10.84 [.427]	745187-3
3	3.17 [.125]	745187-2
4	3.17 [.125]	745187-1

THIS DRAWING IS A CONTROLLED DOCUMENT.		DWN J.GERACE 10/24/83	Tyco Electronics Corporation Harrisburg, PA 17105-3608
DIMENSIONS: mm [INCHES]		CHK J.GERACE 10/24/83	
TOLERANCES UNLESS OTHERWISE SPECIFIED:		APVD B. TAYLOR 1-04-84	NAME RECEPTACLE ASSEMBLY, SIZE 3, 25 POSITION, VERTICAL, AMPLIMITE™HDP
0 PLC ± -		PRODUCT SPEC	
1 PLC ± -		APPLICATION SPEC	SIZE A2
2 PLC ± -		WEIGHT -	CAGE CODE 00779
3 PLC ± 0.13 [.005]		CUSTOMER DRAWING	DRAWING NO C=745187
4 PLC ± -		SCALE NTS	SHEET 1 of 1
ANGLES ± 2°		RESTRICTED TO -	REV N
FINISH SHELLS: 6 CONTACTS: SEE TABLE			

P.C. BOARD MOUNTING DIMENSIONS