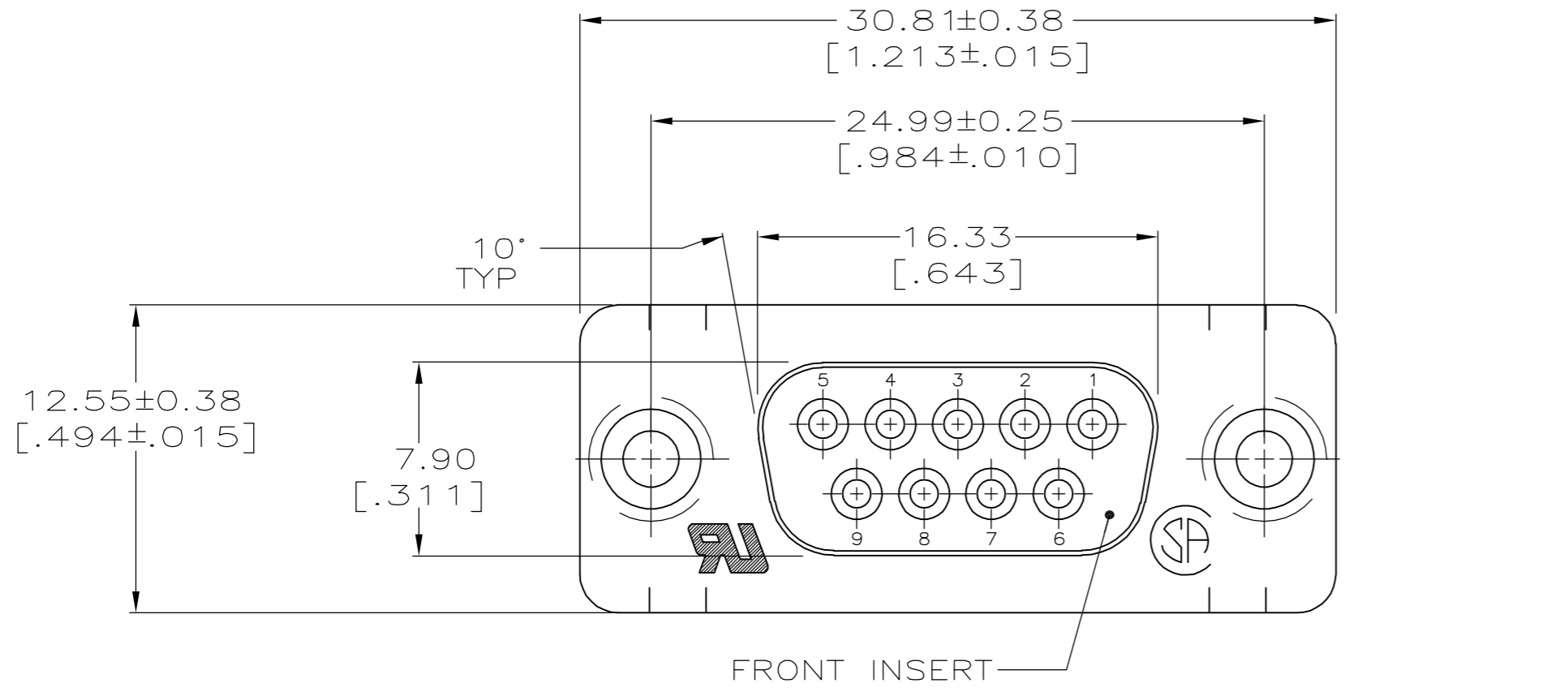
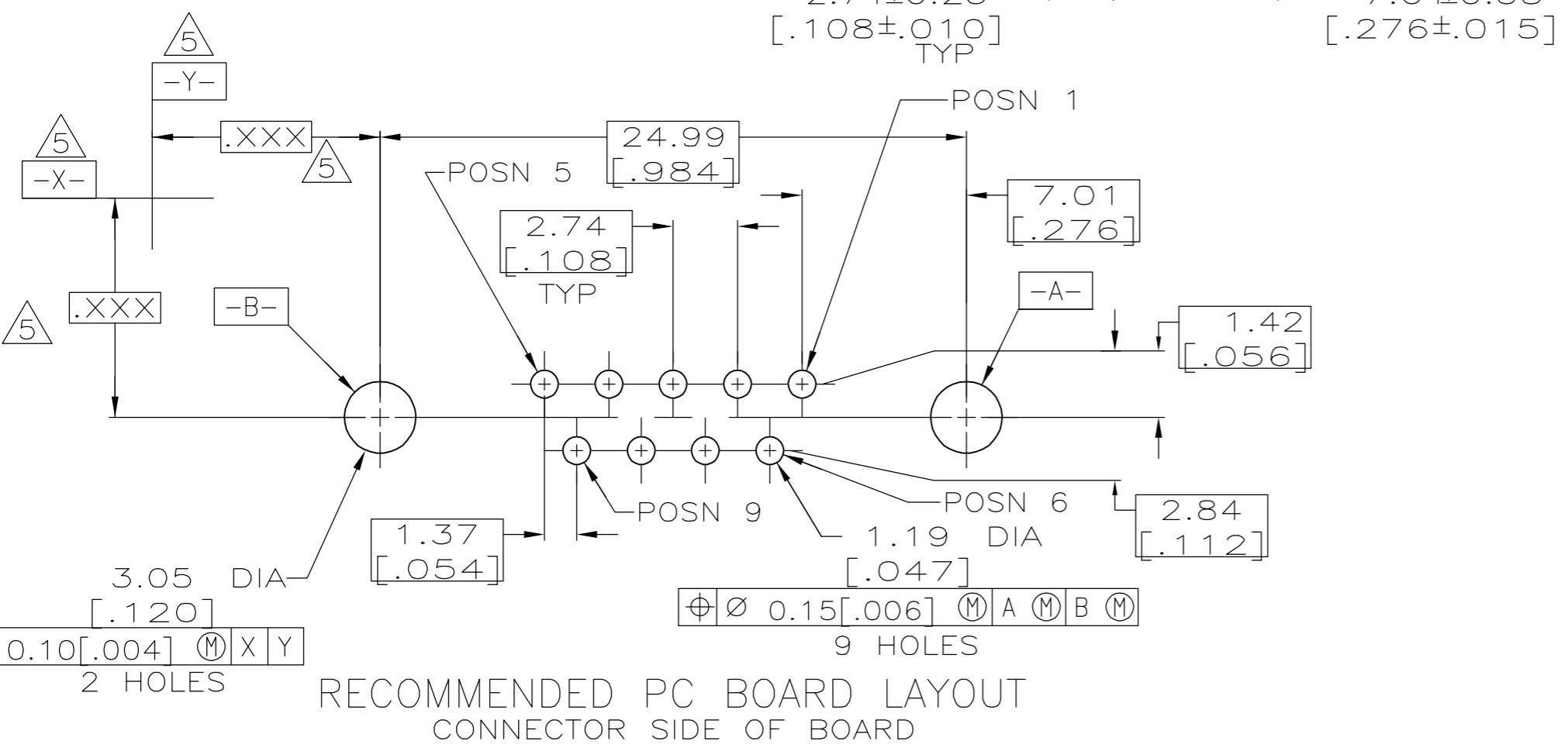
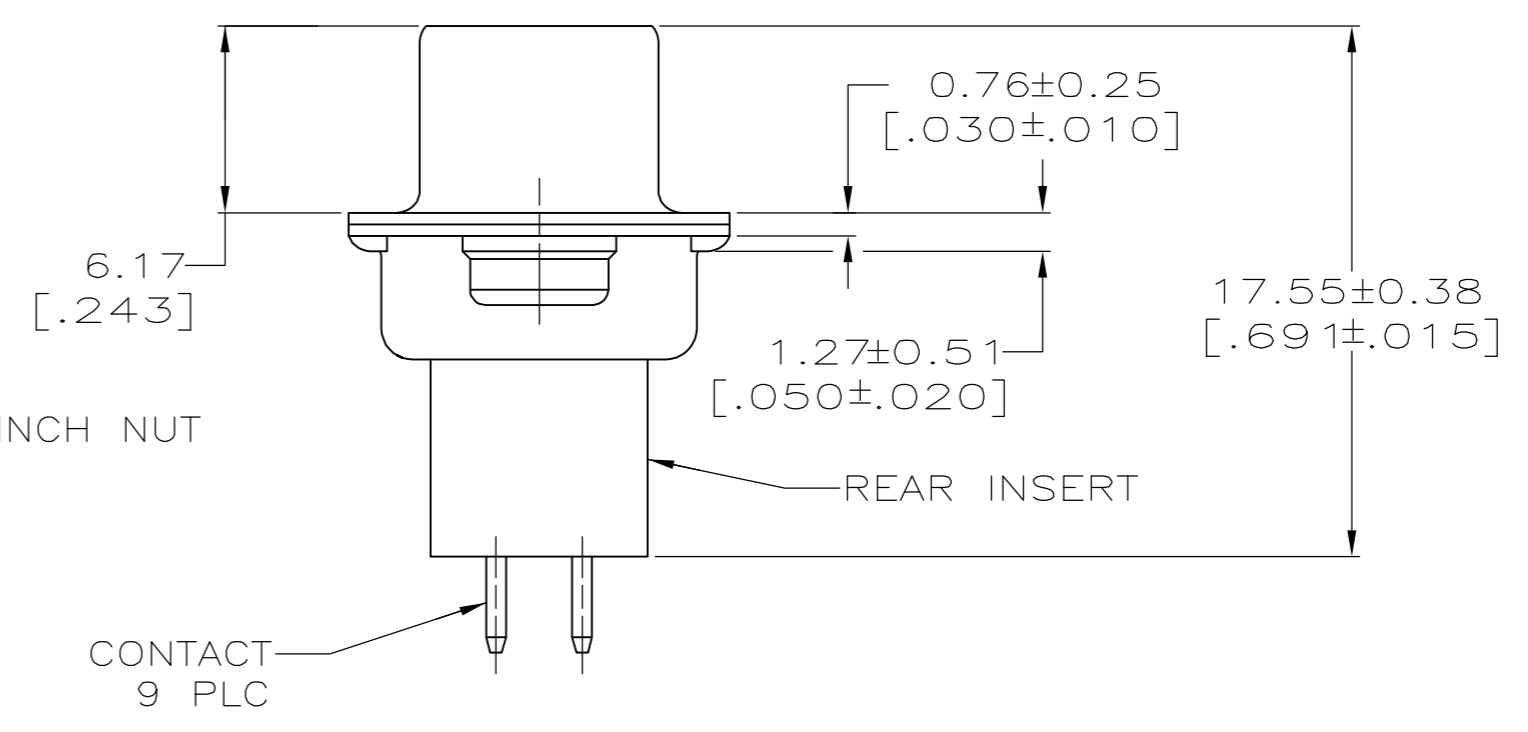
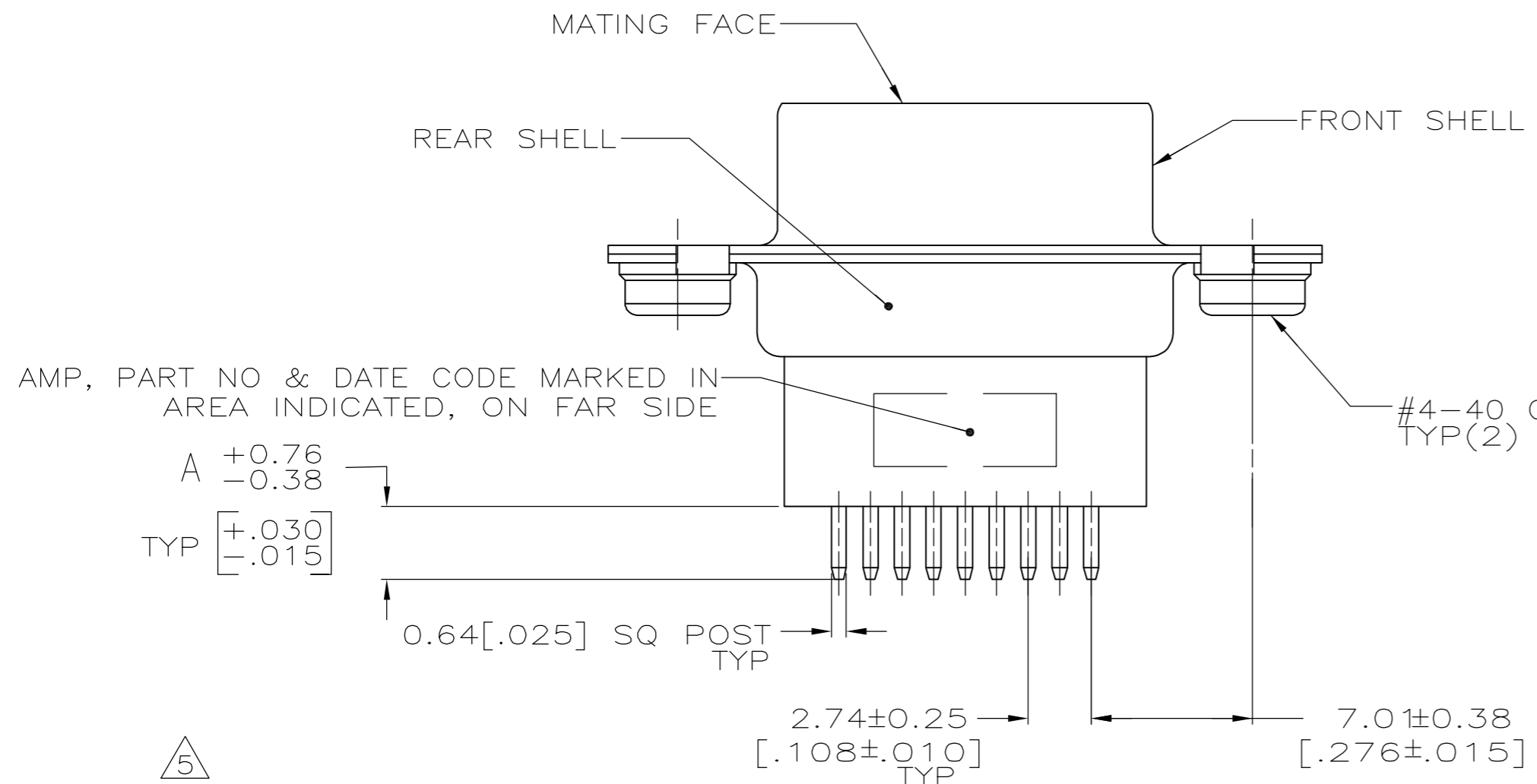


THIS DRAWING IS UNPUBLISHED. RELEASED FOR PUBLICATION  
 © COPYRIGHT BY TYCO ELECTRONICS CORPORATION. ALL RIGHTS RESERVED.

LOC		DIST		REVISIONS			
GP	00	P	LTR	DESCRIPTION	DATE	DWN	APVD
		H		REVISED PER ECO-06-028338	12/DEC/06	ZMR	EDB



- 1 MOLDED PARTS: BLACK NYLON OR POLYESTER, UL 94V-0 RATED, GLASS FILLED;  
CONTACTS: PHOSPHOR BRONZE  
SHELLS: CARBON STEEL  
CLINCH NUT: CARBON STEEL
- 2 GOLD FLASH FOR LENGTH OF 1.90 [.075] MIN FROM MATING END, 2.54µm [.000100] MIN TIN-LEAD FOR A LENGTH OF DIMENSION A FROM OPPOSITE END, BOTH OVER 1.27µm [.000050] MIN NICKEL.
- 3 0.76µm [.000030] MIN GOLD FOR LENGTH OF 1.90 [.075] MIN FROM MATING END, 2.54µm [.000100] MIN TIN-LEAD FOR A LENGTH OF DIMENSION A FROM OPPOSITE END, BOTH OVER 1.27µm [.000050] MIN NICKEL.  
-OR-  
GOLD FLASH OVER 0.76µm [.000030] MIN PALLADIUM NICKEL FOR A LENGTH OF 1.90 [.075] MIN FROM MATING END, 2.54µm [.000100] MIN TIN-LEAD FOR A LENGTH OF DIMENSION A FROM OPPOSITE END, BOTH OVER 1.27µm [.000050] MIN NICKEL.
- 4 SHELLS: 5.08µm [.000200] MIN TIN OR TIN LEAD OVER 2.54µm [.000100] MIN COPPER  
CLINCH NUT: ZINC PLATED WITH CLEAR CHROMATE COATING.
- 5 DATUMS AND BASIC DIMENSIONS ESTABLISHED BY CUSTOMER.



OBSOLETE	3	16.54 [.651]	747190-8
OBSOLETE	2	16.54 [.651]	747190-7
SUPSD BY 747190-4	3	10.85 [.427]	747190-6
SUPSD BY 747190-4	2	10.85 [.427]	747190-5
	3	4.78 [.188]	747190-4
OBSOLETE	2	4.78 [.188]	747190-3
	3	3.18 [.125]	747190-2
	2	3.18 [.125]	747190-1
CONTACT FINISH		DIMENSION A	PART NUMBER

THIS DRAWING IS A CONTROLLED DOCUMENT.		DWN	J.GERACE	3-11-83	Tyco Electronics Corporation Harrisburg, PA 17105-3608		
DIMENSIONS: mm [INCHES]		CHK	J.GERACE	4-28-83			
TOLERANCES UNLESS OTHERWISE SPECIFIED:		APVD	J. ASSINI	4-29-83			
0 PLC ± - 1 PLC ± - 2 PLC ± .013 [.005] 3 PLC ± - 4 PLC ± - ANGLES ± 2°		PRODUCT SPEC	108-40025				
MATERIAL		APPLICATION SPEC	114-40022		NAME	RECEPTACLE ASSEMBLY, SIZE 1, 9 POS., VERTICAL, .025 SQ. POSTS, W/CLINCH NUTS, AMPLIMITE	
FINISH		WEIGHT	-		SIZE	A2	
1		CUSTOMER DRAWING		SCALE	4:1	SHEET	1 OF 1
				REV	H		