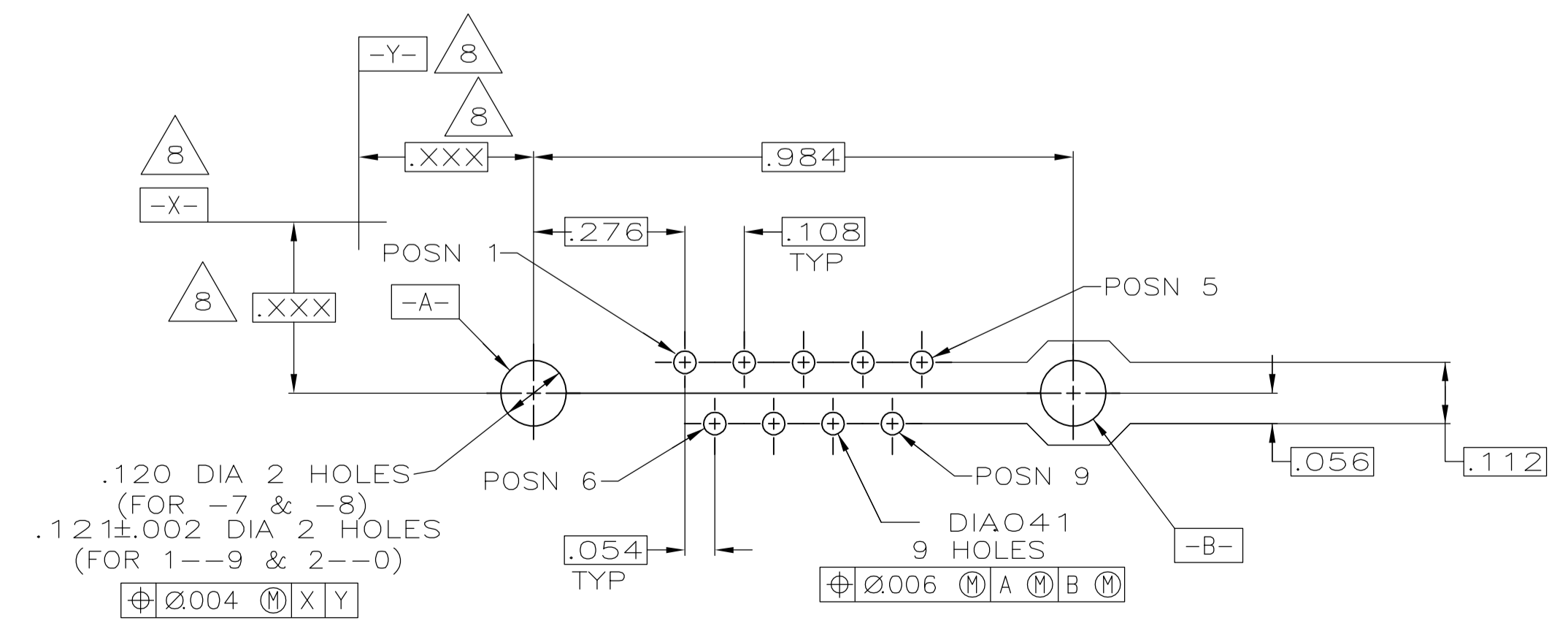


- △ HOUSING: FLAME RETARDANT 94V-0 RATED THERMOPLASTIC, BLACK
 SHELLS: STEEL
 CONTACTS: BRASS
 INSERTS AND RETENTION INSERTS: BRASS
 SCREWLOCKS: ZINC
- △ SHELLS: .000200 MIN TIN-LEAD OVER .000100 MIN COPPER.
 INSERTS: UNPLATED.
 RETENTION INSERTS: .00150 MIN TIN-LEAD OVER .000100 MIN COPPER.
 SCREWLOCKS: UNPLATED.
 CONTACTS: SEE TABLE.
- △ GOLD FLASH FOR A LENGTH OF .150 MIN FROM MATING END, .000100-.000200 BRIGHT TIN OR BRIGHT TIN-LEAD ON SOLDER END, ALL OVER .000050 MIN NICKEL ON ENTIRE CONTACT.
- △ GOLD PLATED FOR A LENGTH OF .150 FROM MATING END, .000030 MIN GOLD IN MATED AREA, .000100-.000200 BRIGHT TIN OR BRIGHT TIN-LEAD ON SOLDER END, ALL OVER .000050 MIN NICKEL ON ENTIRE CONTACT.
 -OR-
 GOLD FLASH OVER PALLADIUM NICKEL PLATED FOR LENGTH OF .150 FROM MATING END, .000030 MIN PALLADIUM NICKEL IN MATED AREA, .000100-.000200 BRIGHT TIN OR BRIGHT TIN-LEAD ON SOLDER END, ALL OVER .000050 MIN NICKEL ON ENTIRE CONTACT.
- △ INSERTS & SCREWLOCKS WILL WITHSTAND 10 IN. LBS. TORQUE AND 50 LBS. PULL OUT FORCE FROM MATING FACE SIDE.
- △ VERSION AVAILABLE UPON REQUEST.
- △ OBSOLETE PART NUMBER.
- △ DATUMS AND BASIC DIMENSIONS ESTABLISHED BY CUSTOMERS.
- △ RECOMMENDED SCREWLOCK IS 747877-3 WITH RETENTION INSERTS.
- △ .110 MAX IN SHELL TAB CLINCH AREAS.



PC BOARD MOUNTING DIMENSIONS
 CONNECTOR SIDE OF BOARD
 .062 PC BOARD THICKNESS

SUSP BY 2-748003-0	WITH RETENTION INSERTS	△ .125	2-748003-0
		△ .125	1-748003-9
	WITH FEMALE SCREWLOCKS	△ .250	△
		△ .250	△
		△ .170	△
		△ .170	△
		△ .125	△
	WITH THREADED INSERTS	△ .250	△
		△ .250	△
		△ .170	△
		△ .170	△
		△ .125	△
SUPERSEDED BY 747871-8	△ .125	748003-8	
	△ .125	△ 748003-7	
	△ .250	△	
	△ .250	△	
WITH .120 DIA. HOLE	△ .170	△	
	△ .170	△	
	△ .125	△	
	△ .125	△	
REMARKS	CONTACT FINISH	DIM A	PART NUMBER

THIS DRAWING IS A CONTROLLED DOCUMENT.		DWN S. WELDON 2-27-85	Tyco Electronics Corporation Harrisburg, PA 17105-3608
DIMENSIONS: INCHES		2-27-85	
TOLERANCES UNLESS OTHERWISE SPECIFIED:		APVD R. BRANDT 2-27-85	NAME
0 PLC ± -		PRODUCT SPEC	PLUG ASSEMBLY, SIZE 1, 9 POS., VERTICAL, .026 DIA. DUPLEX PLATED TM
1 PLC ± -		APPLICATION SPEC	108-40025
2 PLC ± -		SIZE	114-40023
3 PLC ± .005		WEIGHT	A1 00779 C=748003
4 PLC ± -		CUSTOMER DRAWING	SCALE NTS SHEET 1 OF 1 REV K
ANGLES ± ± Z		CONTACTS: SEE TABLE	