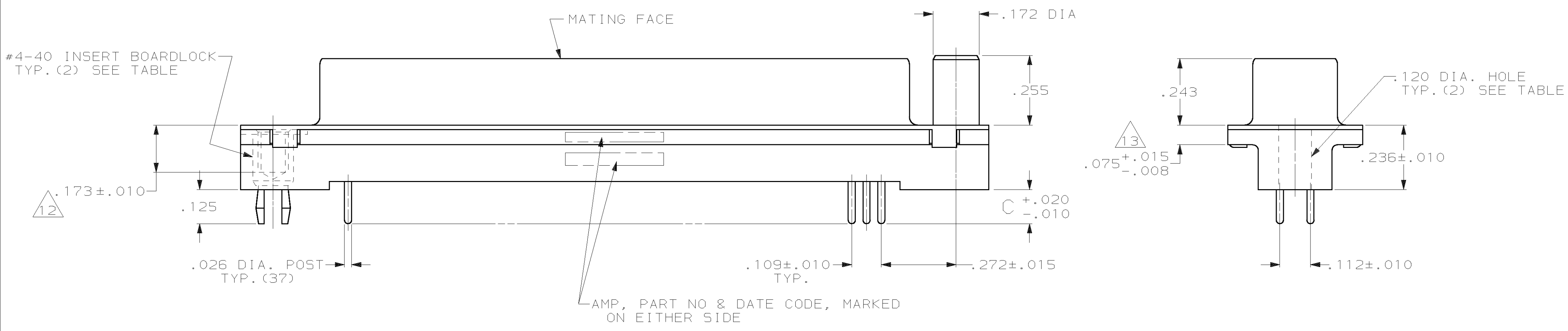
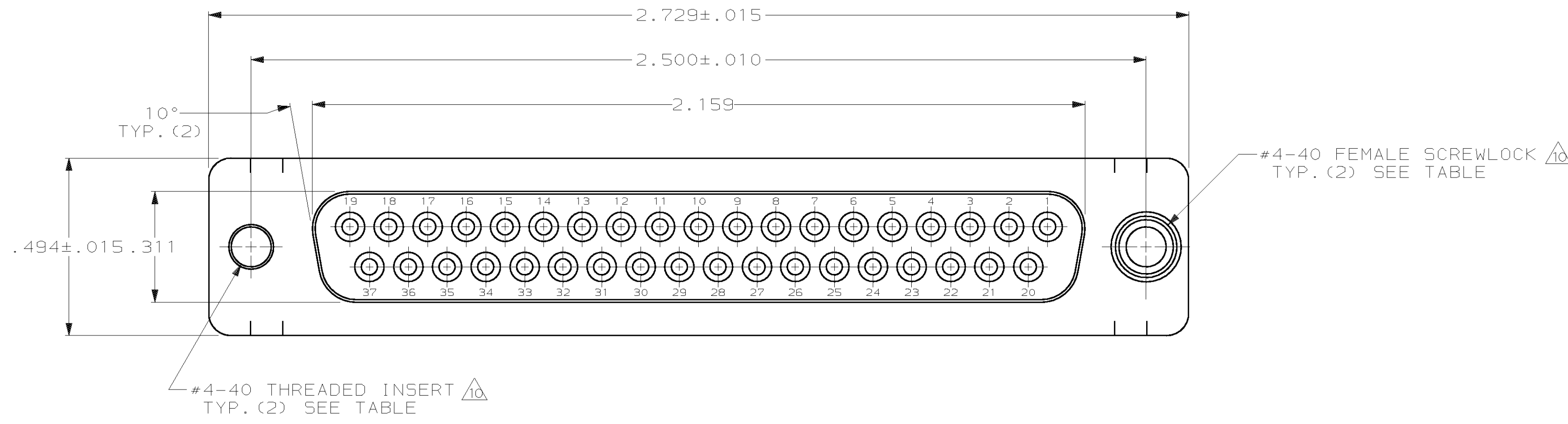
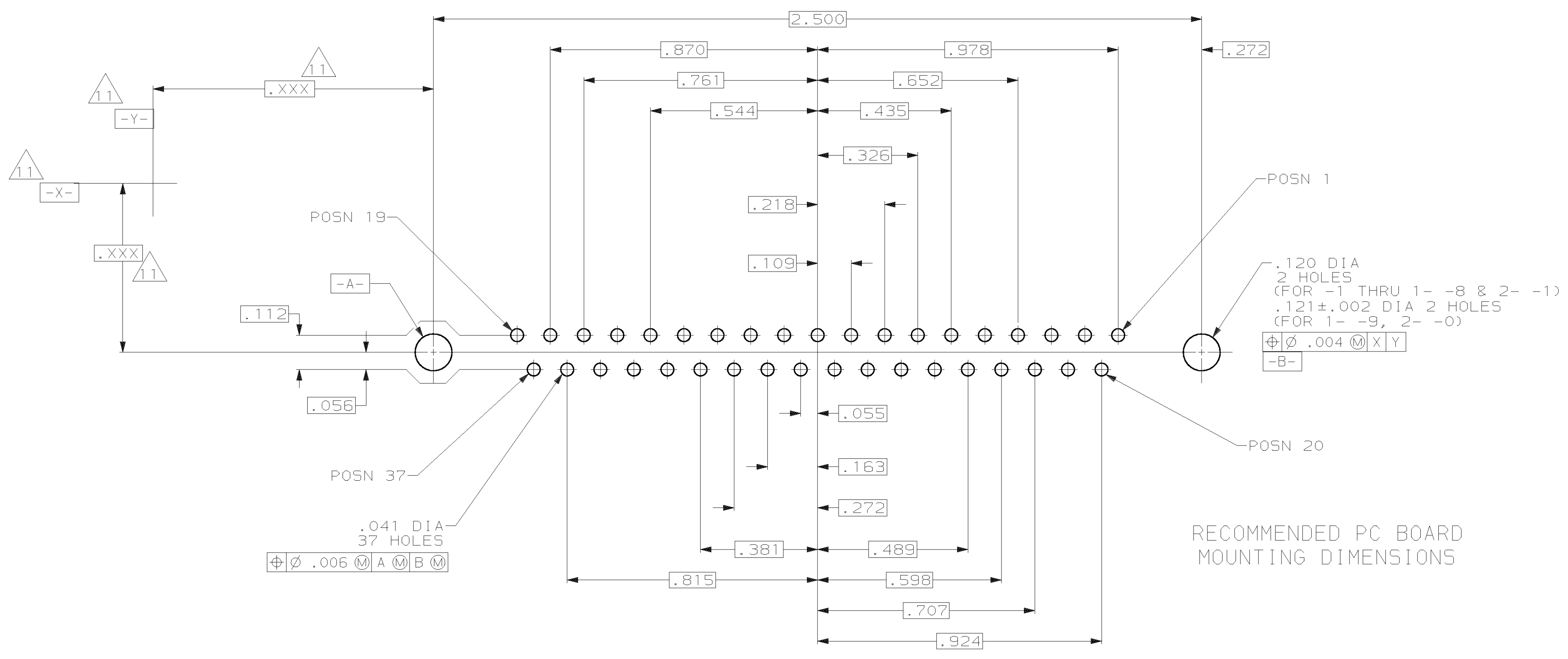


LOC		DIST		P		F		ZONE		LTR		REVISIONS			
GP	00											DESCRIPTION	DATE	APPD	
												L	REVISED PER EC 0513-0460-02	07MAR03	JG



- △ FLAME RETARDANT 94V-0 RATED THERMOPLASTIC; COLOR: BLACK.
- △ STEEL PER ASTM A109.
- △ PHOS. BRONZE PER QQ-B-750.
- △ INSERTS & BOARDLOCKS: BRASS PER QQ-B-626, SCREWLOCKS: ZINC.
- △ GOLD PLATING PER MIL-G-45204, TIN PLATING PER MIL-T-10727, NICKEL PLATING PER QQ-N-290.
- △ .000200-.000400 BRIGHT TIN.
- △ INSERTS: UNPLATED, SCREWLOCKS: UNPLATED, BOARDLOCKS: TIN OVER COPPER.
- △ GOLD FLASH FOR LENGTH OF .100 MIN FROM MATING END, .000100-.000200 BRIGHT TIN OR BRIGHT TIN LEAD ON TERMINATION END, ALL OVER .000050 NICKEL ON ENTIRE CONTACT.
- △ .000030 GOLD FOR LENGTH OF .100 MIN FROM MATING END, .000100-.000200 BRIGHT TIN OR BRIGHT TIN LEAD ON TERMINATION END, ALL OVER .000050 NICKEL ON ENTIRE CONTACT.
- △ INSERTS & SCREWLOCKS WILL WITHSTAND 10 IN. LBS. TORQUE AND 50 LBS. PULL OUT FORCE FROM MATING FACE SIDE.
- △ DATUMS AND BASIC DIMENSIONS ESTABLISHED BY CUSTOMER.
- △ RECOMMENDED SCREWLOCK IS 747877-3 WITH RETENTION INSERTS.
- △ .110 MAX IN SHELL TAB CLINCH AREAS.



REMARKS	CONTACT FINISH	C	PART NUMBER
SUPERSEDED BY 1-747301-6	WITH FEMALE SCREWLOCKS	△	.170 2-747709-1
SUPERSEDED BY 2-747709-0	WITH INSERT BOARDLOCKS	△	.125 2-747709-0
		△	.125 1-747709-9
		△	.250 1-747709-8
		△	.250 1-747709-7
SUPERSEDED BY 1-747301-6	WITH FEMALE SCREWLOCKS	△	.170 1-747709-6
		△	.170 1-747709-5
		△	.125 1-747709-4
		△	.125 1-747709-3
		△	.250 1-747709-2
		△	.250 1-747709-1
	WITH THREADED INSERTS	△	.170 1-747709-0
		△	.170 747709-9
SUPERSEDED BY 747301-8		△	.125 747709-8
SUPERSEDED BY 747301-7		△	.125 747709-7
		△	.250 747709-6
		△	.250 747709-5
		△	.170 747709-4
	WITH .120 DIA. HOLE	△	.170 747709-3
		△	.125 747709-2
		△	.125 747709-1

RECOMMENDED PC BOARD MOUNTING DIMENSIONS

DO NOT SCALE PRINT. UNLESS SPECIFIED DIMENSIONS IN INCHES TOLERANCES ON:	DR 2-27-85 S. WELDON	AMP Incorporated Harrisburg, PA 17105-3508		
2 PLC DEC ± .005	CHK 2-27-85 J. GERACE			
3 PLC DEC ± .005	APPD 2-27-85 R. BRANDT	NAME		
ANGLES ± 2°	APPD 2-27-85 R. BAER	RECEPTACLE ASSEMBLY, SIZE 4, 37 POS., VERTICAL, .026 DIA. DUPLEX PLATED POSTS, FRONT SHELL, AMPLIMITE™ HDP		
MATERIAL HOUSING: △	PRODUCT SPEC 108-40025	SIZE	CAGE CODE	DRAWING NO
SHELL: △ CONTACTS: △	APPLICATION SPEC 114-40023	D	00779	C-747709
INSERTS, SCREWLOCKS & BOARDLOCKS: △	WEIGHT -	SCALE	NTS	SHEET 1 OF 1

THIS DRAWING IS A CONTROLLED DOCUMENT FOR AMP INCORPORATED. IT IS SUBJECT TO CHANGE AND THE CONTROLLING ENGINEERING ORGANIZATION SHOULD BE CONTACTED FOR THE LATEST REVISION.