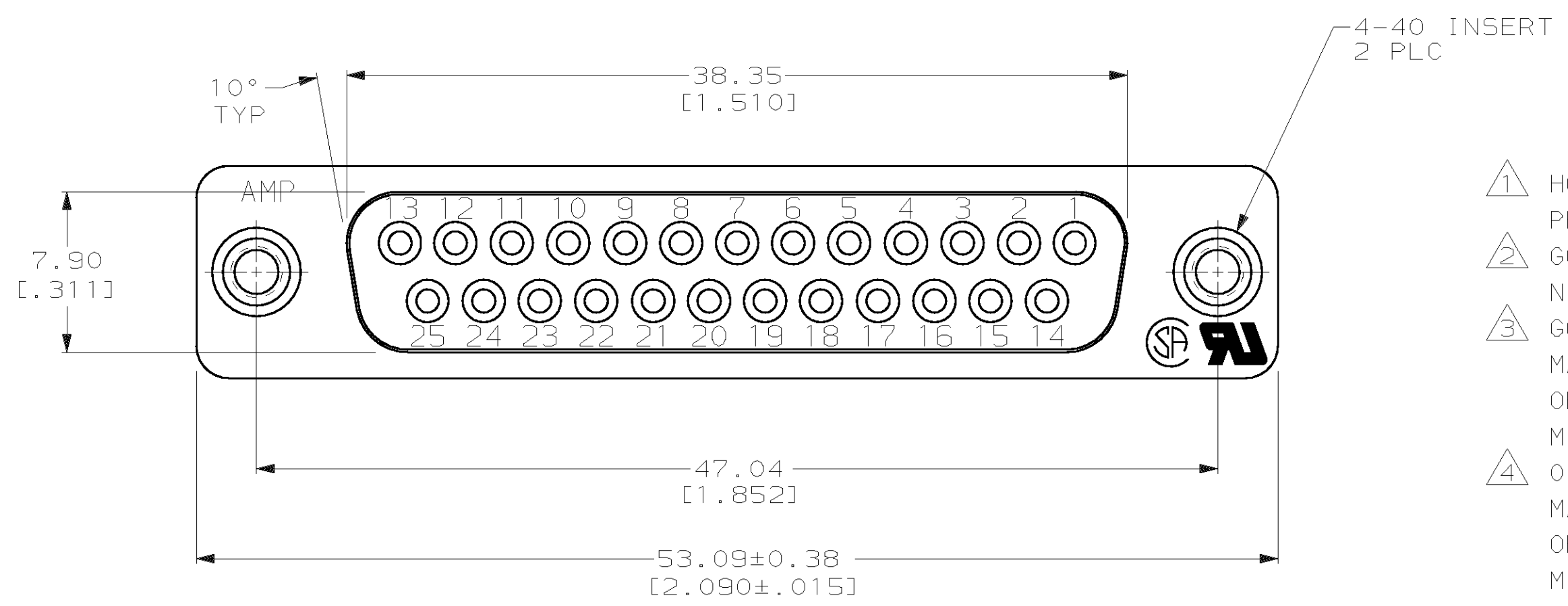
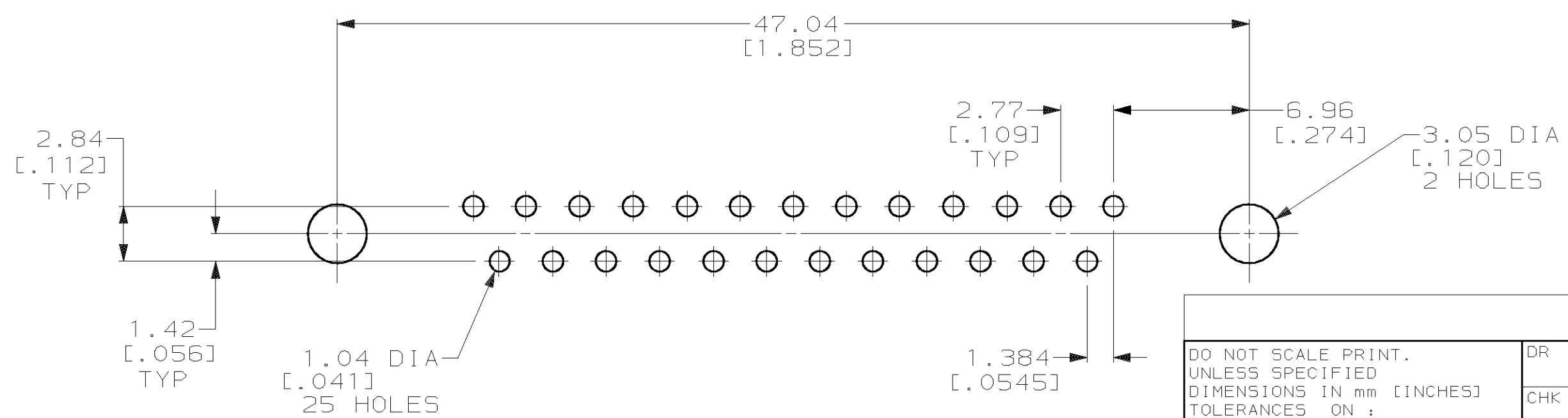
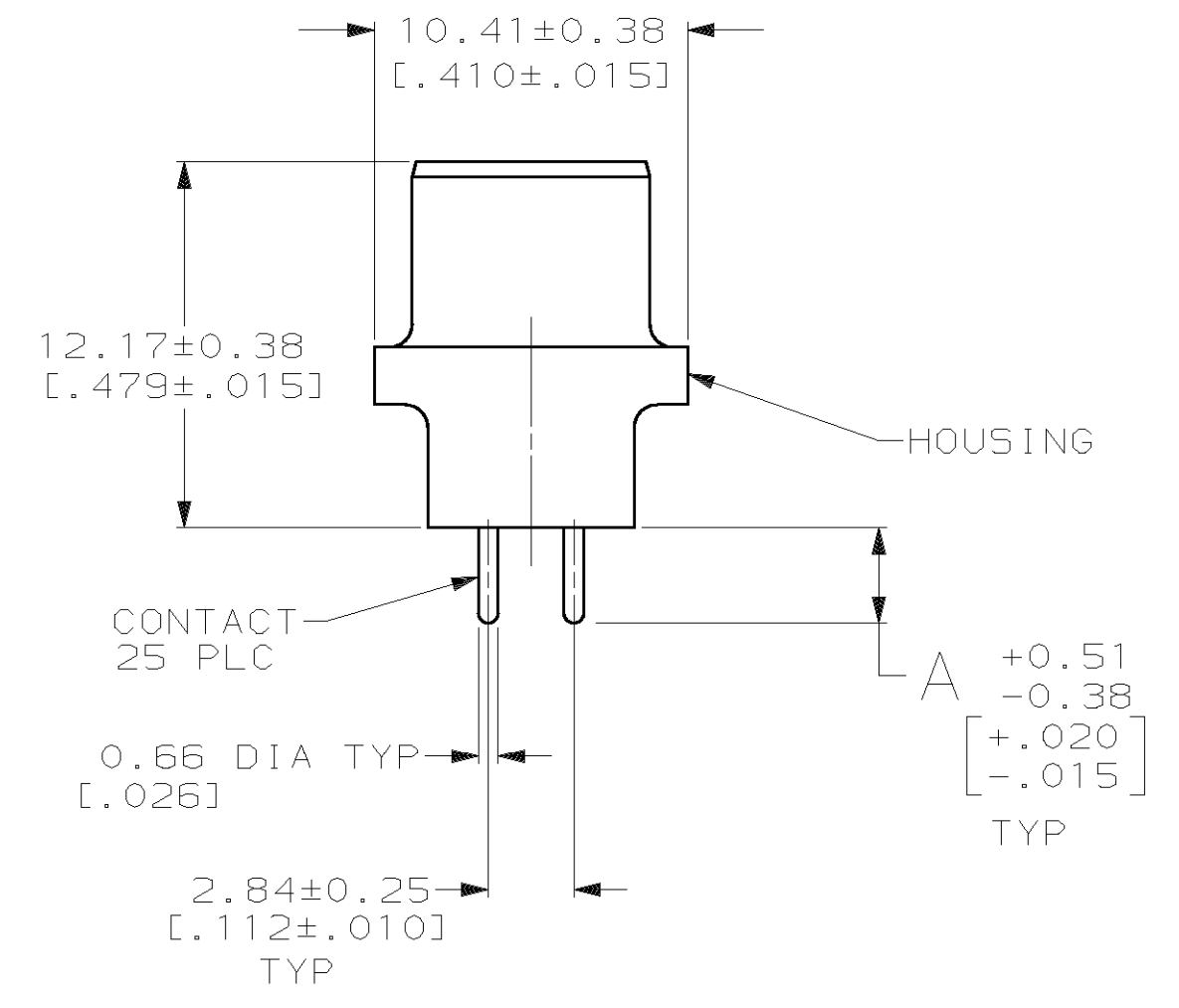
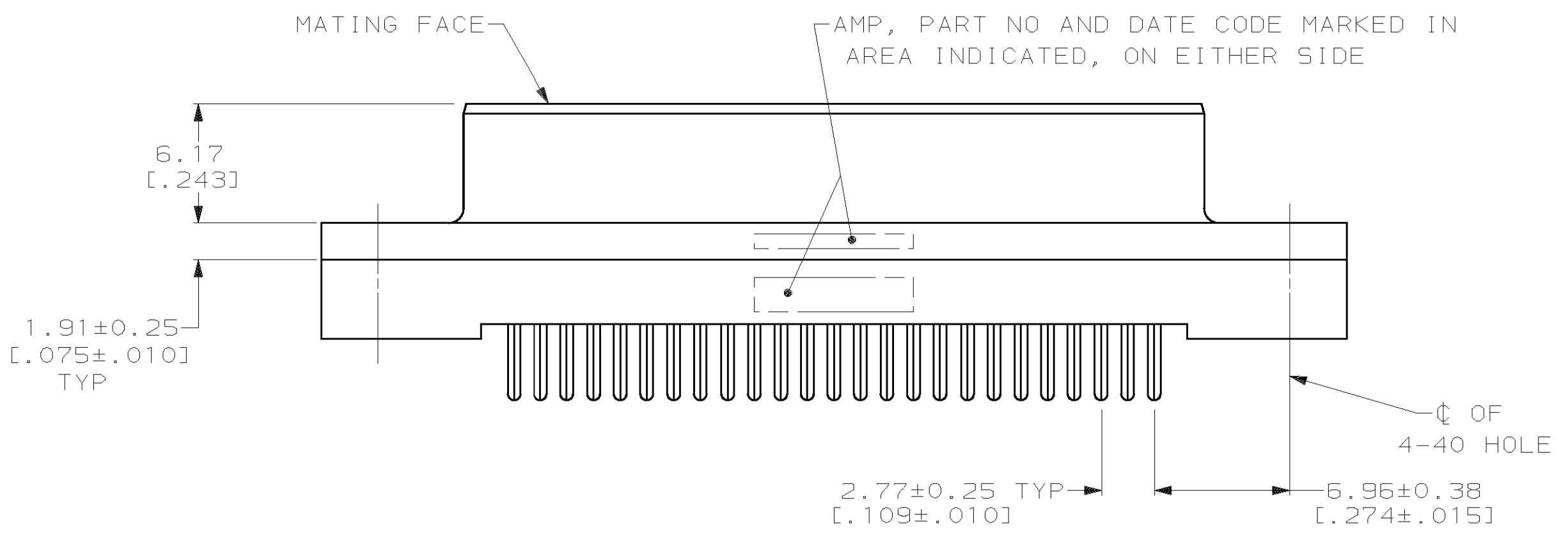


THIS DRAWING IS UNPUBLISHED. RELEASED FOR PUBLICATION .19 .
 © COPYRIGHT 19 BY AMP INCORPORATED. ALL INTERNATIONAL RIGHTS RESERVED.

LOC		DIST		P		F		REVISIONS		DATE	APPD
ZONE	LTR	DESCRIPTION									
GP	00							F	REVISED PER EC 0513-0017-03	12MAY03	JG



- ① HOUSING: BLACK POLYESTER, UL 94V-0 RATED; CONTACTS: PHOSPHOR BRONZE PER QQ-B-750; INSERTS: BRASS PER QQ-B-626.
- ② GOLD PLATING PER MIL-G-45204, TIN PLATING PER MIL-T-10727, NICKEL PLATING PER QQ-N-290.
- ③ GOLD FLASH FOR A LENGTH OF 2.54[.100] MIN FROM MATING END, 2.54µm[.000100] MIN TIN OR TIN-LEAD FOR A LENGTH OF DIMENSION A FROM OPPOSITE END, ALL OVER 1.27µm[.000050] MIN NICKEL.
- ④ 0.76µm[.000030] MIN GOLD FOR A LENGTH OF 2.54[.100] MIN FROM MATING END, 2.54µm[.000100] MIN TIN OR TIN-LEAD FOR A LENGTH OF DIMENSION A FROM OPPOSITE END, ALL OVER 1.27µm[.000050] MIN NICKEL.



OBSOLETE	6.35 [0.250]	④	745058-8
OBSOLETE	6.35 [0.250]	③	745058-7
OBSOLETE	4.32 [0.170]	④	745058-6
OBSOLETE	4.32 [0.170]	③	745058-5
	3.18 [0.125]	④	745058-4
	3.18 [0.125]	③	745058-3
	A	CONTACT FINISH	PART NO

RECOMMENDED PC BOARD MOUNTING DIMENSIONS

DO NOT SCALE PRINT. UNLESS SPECIFIED DIMENSIONS IN mm [INCHES] TOLERANCES ON : 2 PLC DEC ± 0.13 [0.005] 3 PLC DEC ± - ANGLES ± 2°	DR 11-16-89 J McCLINTON	AMP INCORPORATED Harrisburg, Pa. 17105	
MATERIAL	CHK 2-1-90 R.STONE		
FINISH ②	APPD 2-2-90 S.SCHIEFFERLY	NAME RECEPTACLE ASSEMBLY, SIZE 3, 25 POSN, VERTICAL, AMPLIMITE® HD-20	
CONTACT: SEE TABLE	APPD 2-2-90 C.ROHDE	SIZE C 00779	DRAWING NO 745058
	PRODUCT SPEC 108-40025	SCALE 4:1	SHEET 1 OF 1
	APPLICATION SPEC -		
	WEIGHT -		