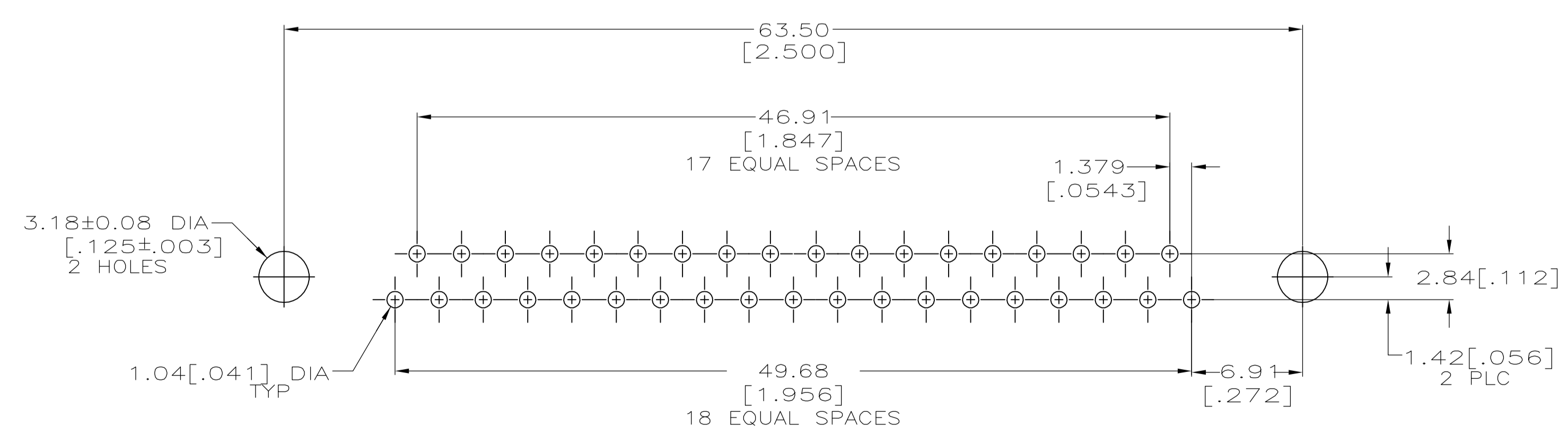
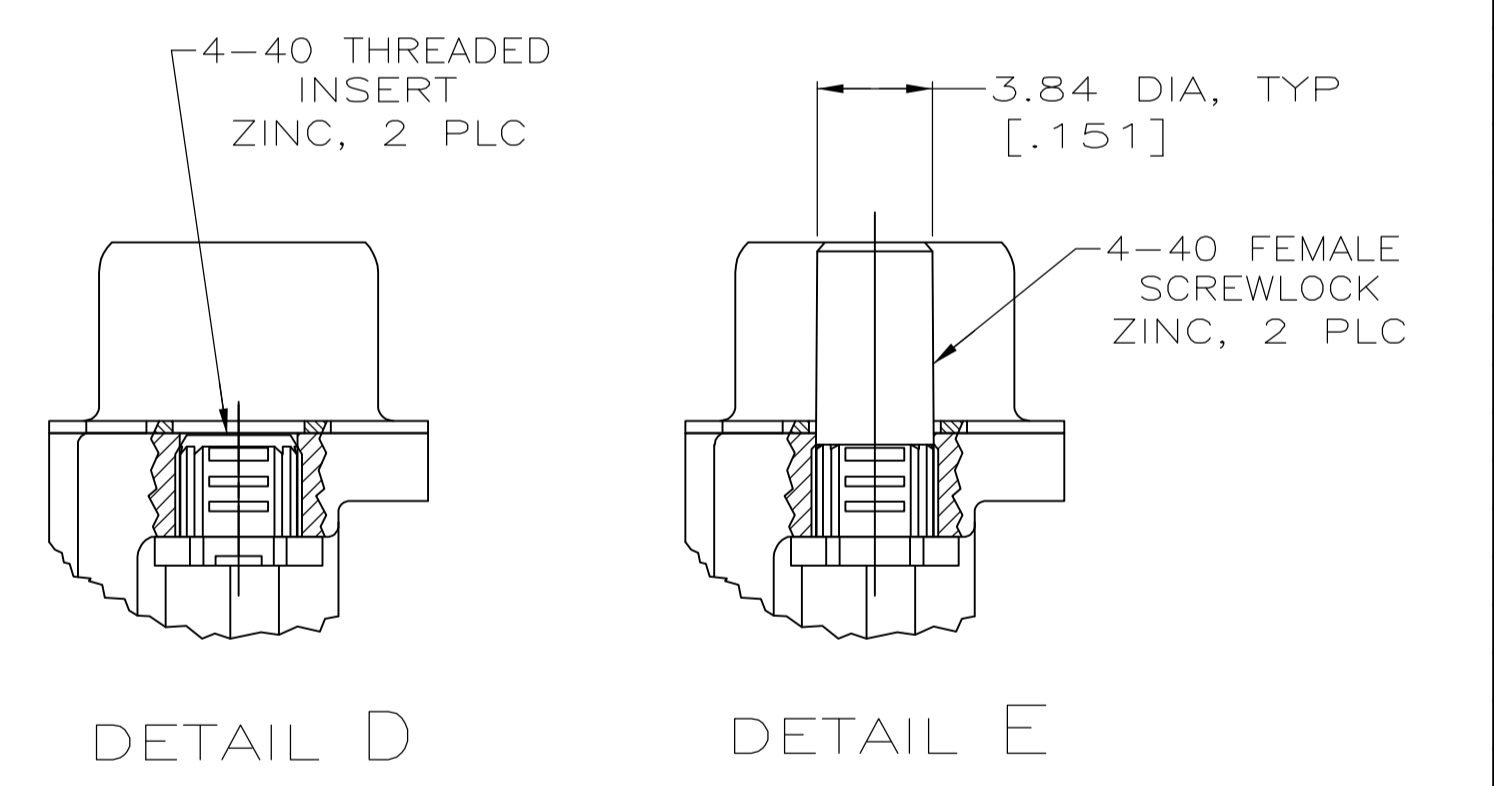
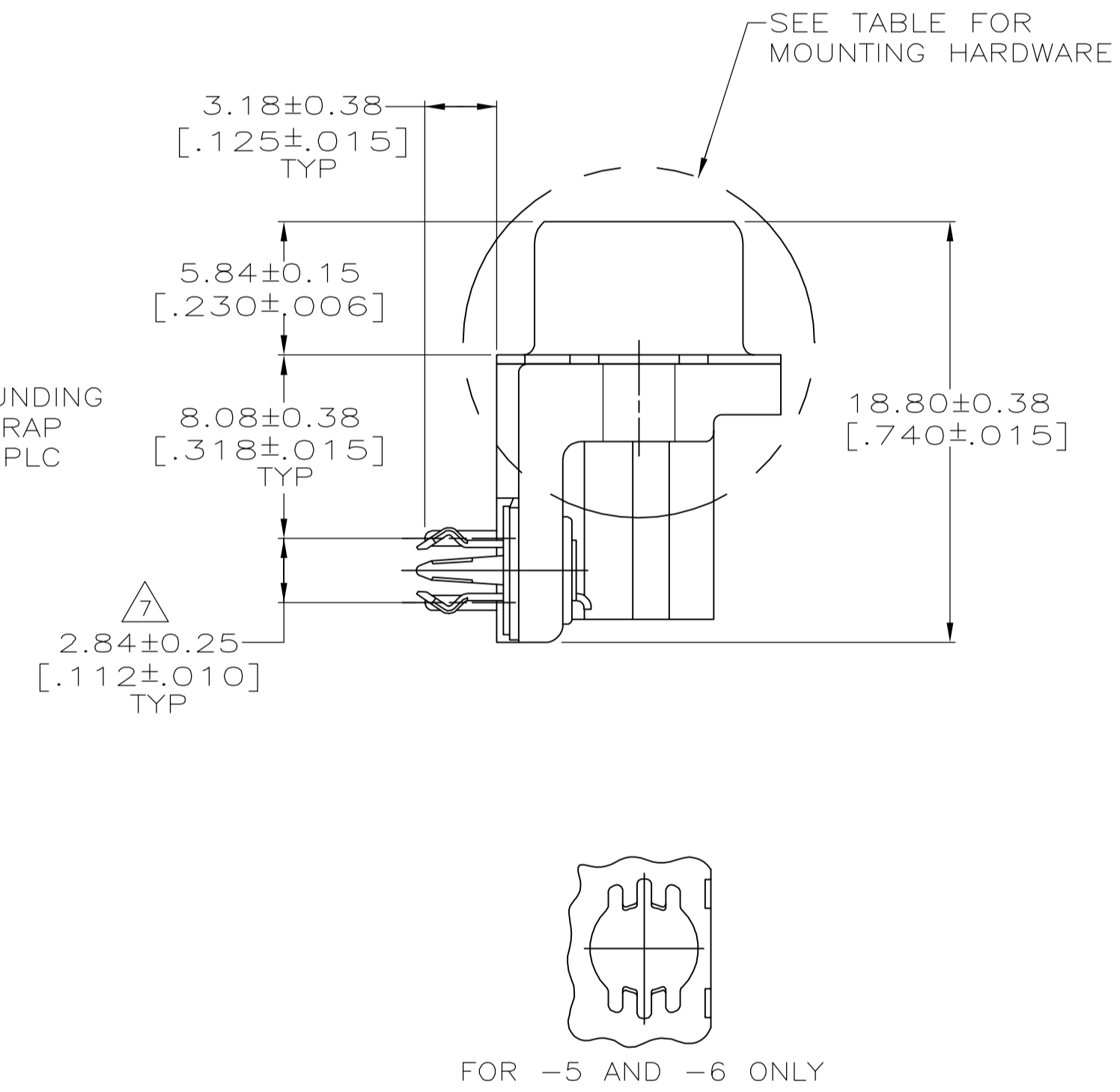
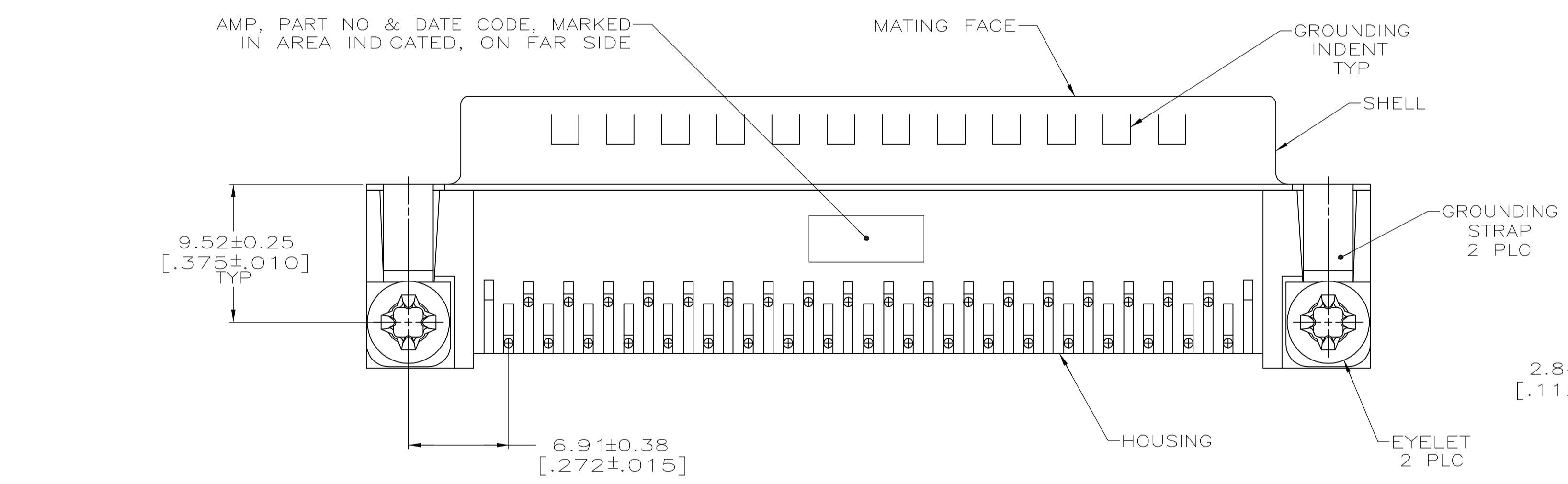


- ① HOUSING: NYLON OR POLYESTER, FLAME RETARDANT 94V-0 RATED, GLASS FILLED, BLACK  
 SHELLS: CARBON STEEL  
 CONTACTS: BRASS  
 BOARDLOCKS: COPPER ALLOY  
 EYELETS: BRASS
- ② SHELLS: 2.54μm [.000100] MIN TIN OVER 1.27μm [.000050] MIN COPPER.  
 EYELETS: 5.08μm [.000200] MIN TIN OVER COPPER FLASH.  
 CONTACTS AND BOARDLOCKS: SEE TABLE.  
 INSERTS AND BOARDLOCKS: CLEAR CHROMATE.
- ③ GOLD PLATED FOR A LENGTH OF 3.81 [.150] MIN FROM MATING END, GOLD FLASH IN MATED AREA, 2.54μm [.000100] MIN TIN OR TIN-LEAD FOR A LENGTH OF 3.56 [.140] MIN FROM OPPOSITE END, BOTH OVER 1.27μm [.000050] MIN NICKEL.
- ④ GOLD PLATED FOR A LENGTH OF 3.81 [.150] MIN FROM MATING END, 0.76μm [.000030] MIN GOLD IN MATED AREA, 2.54μm [.000100] MIN TIN OR TIN-LEAD FOR A LENGTH OF 3.56 [.140] MIN FROM OPPOSITE END, BOTH OVER 1.27μm [.000050] MIN NICKEL.  
 -OR-  
 GOLD FLASH OVER PALLADIUM NICKEL PLATED FOR LENGTH OF 3.81 [.150] MIN FROM MATING END, 0.76μm [.000030] MIN PALLADIUM NICKEL IN MATED AREA, 2.54μm [.000100] MIN TIN OR TIN-LEAD FOR A LENGTH OF 3.56 [.140] MIN FROM OPPOSITE END, BOTH OVER 1.27μm [.000050] MIN NICKEL.
- ⑤ 5.08μm [.000200] MIN TIN-LEAD OVER 1.27μm [.000050] MIN NICKEL.
- ⑥ 5.08μm [.000200] MIN TIN OVER 1.27μm [.000050] MIN NICKEL.
- ⑦ DIMENSION APPLIES FROM CENTER OF CONTACTS.



RECOMMENDED P.C. BOARD MOUNTING DIMENSIONS  
 P.C. BOARD THICKNESS: 1.57[.062]

SEE DETAIL E	⑥	④	6-747843-9
SEE DETAIL D	⑥	④	6-747843-8
-	⑥	④	6-747843-7
SEE DETAIL E	⑤	④	747843-6
OBSOLETE SEE DETAIL E	⑤	③	747843-5
SEE DETAIL D	⑤	④	747843-4
OBSOLETE SEE DETAIL D	⑤	③	747843-3
OBSOLETE -	⑤	④	747843-2
OBSOLETE -	⑤	③	747843-1
MOUNTING HARDWARE	BOARDLOCK FINISH	CONTACT FINISH	PART NUMBER

THIS DRAWING IS A CONTROLLED DOCUMENT.

DIMENSIONS: mm [INCHES]	TOLERANCES UNLESS OTHERWISE SPECIFIED:	DIN W.G. LENKER 05-OCT-89	tyco Electronics Tyco Electronics Corporation Harrisburg, PA 17105-3608
0 PLC ± -	1 PLC ± -	CHK R. STONE 05-FEB-90	NAME W.D. GALLOWAY
2 PLC ± -	3 PLC ± 0.13[.005]	APVD	PRODUCT SPEC 108-40025
4 PLC ± -	ANGLES ± 2°	APPLICATION SPEC 114-40010	RIGHT ANGLE, FRONT METAL SHELL, .318 SERIES, BOARDLOCKS, AMPLIMITE® HD-20
MATERIAL	FINISH	SIZE 114-40010	RESTRICTED TO
①	②	WEIGHT	SCALE 4:1 SHEET 1 OF 1 REV S
CUSTOMER DRAWING		00779	747843