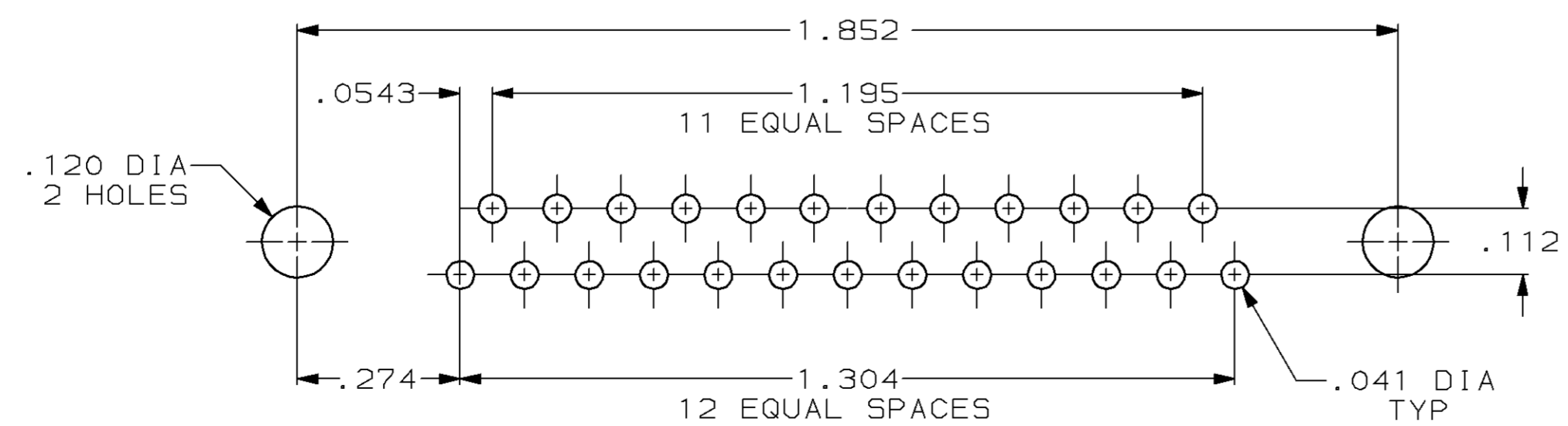
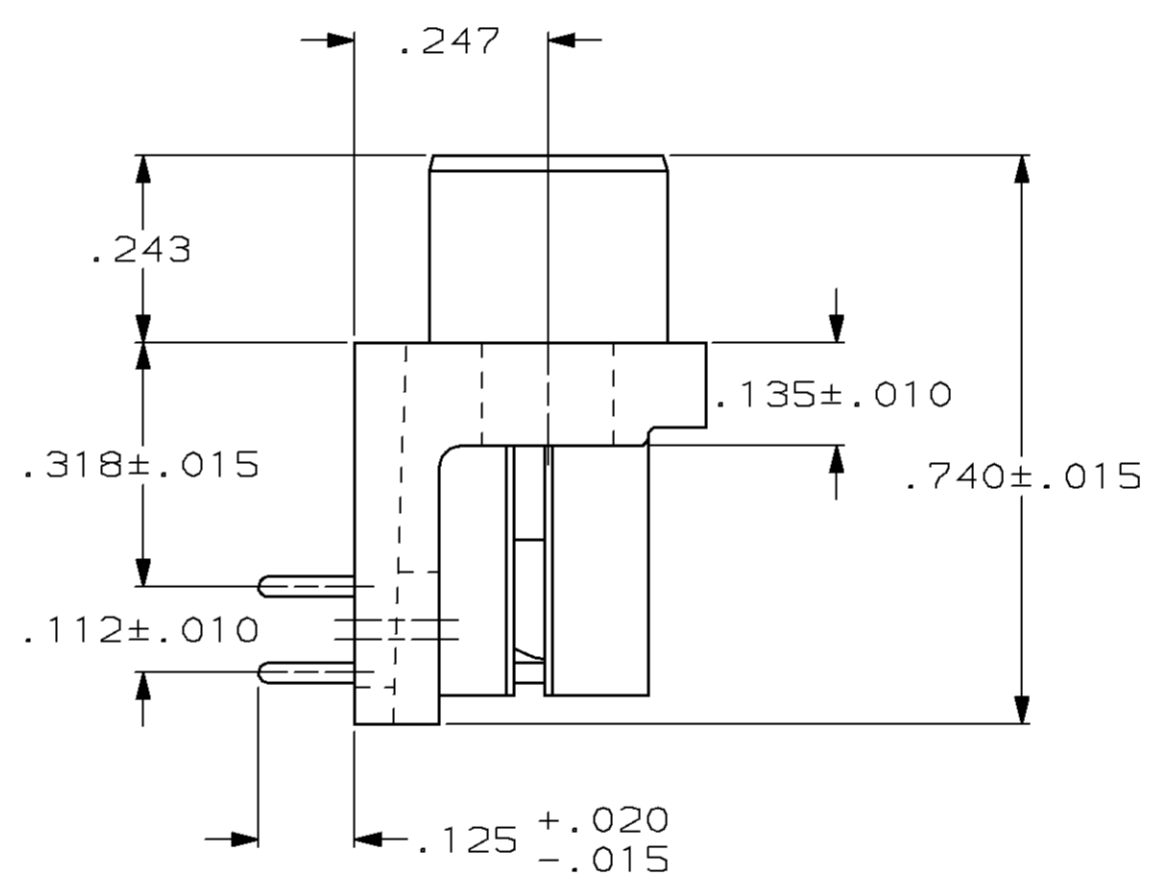
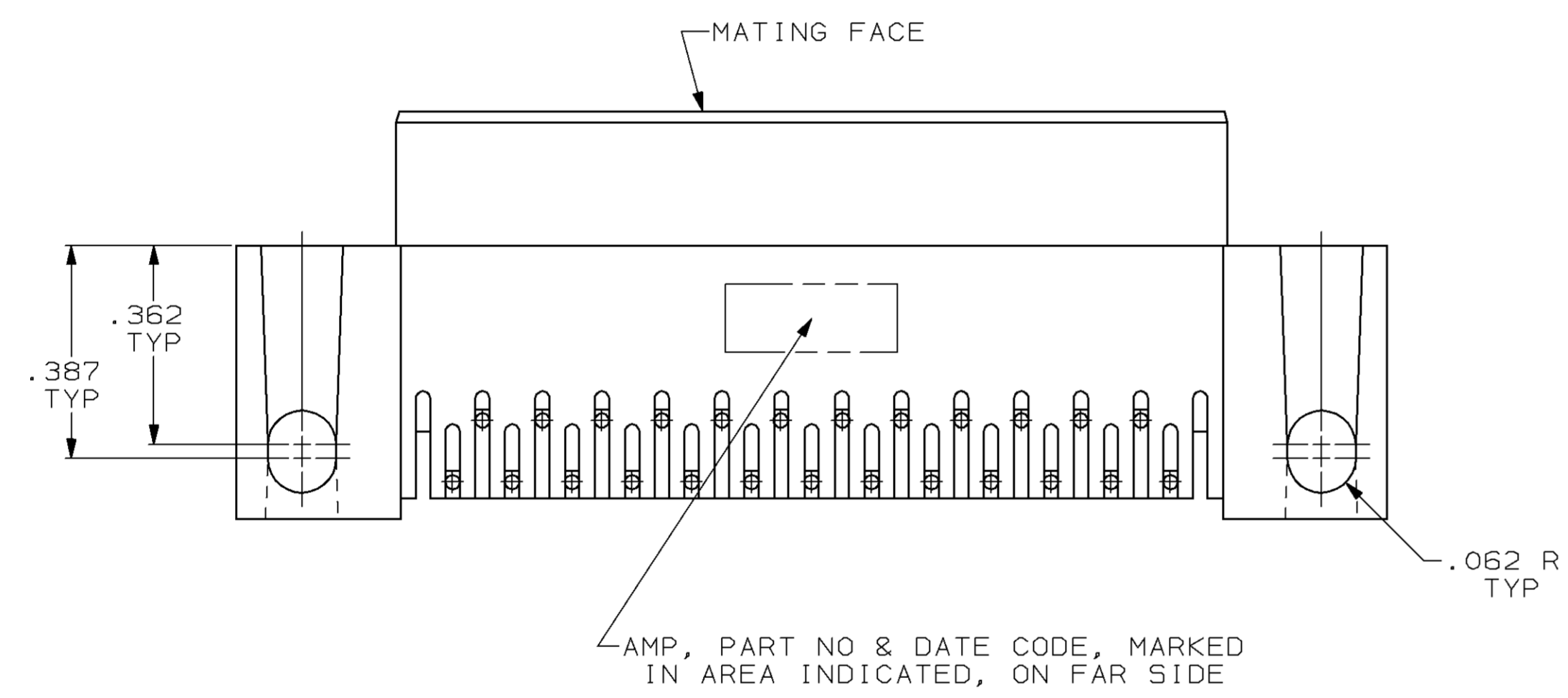
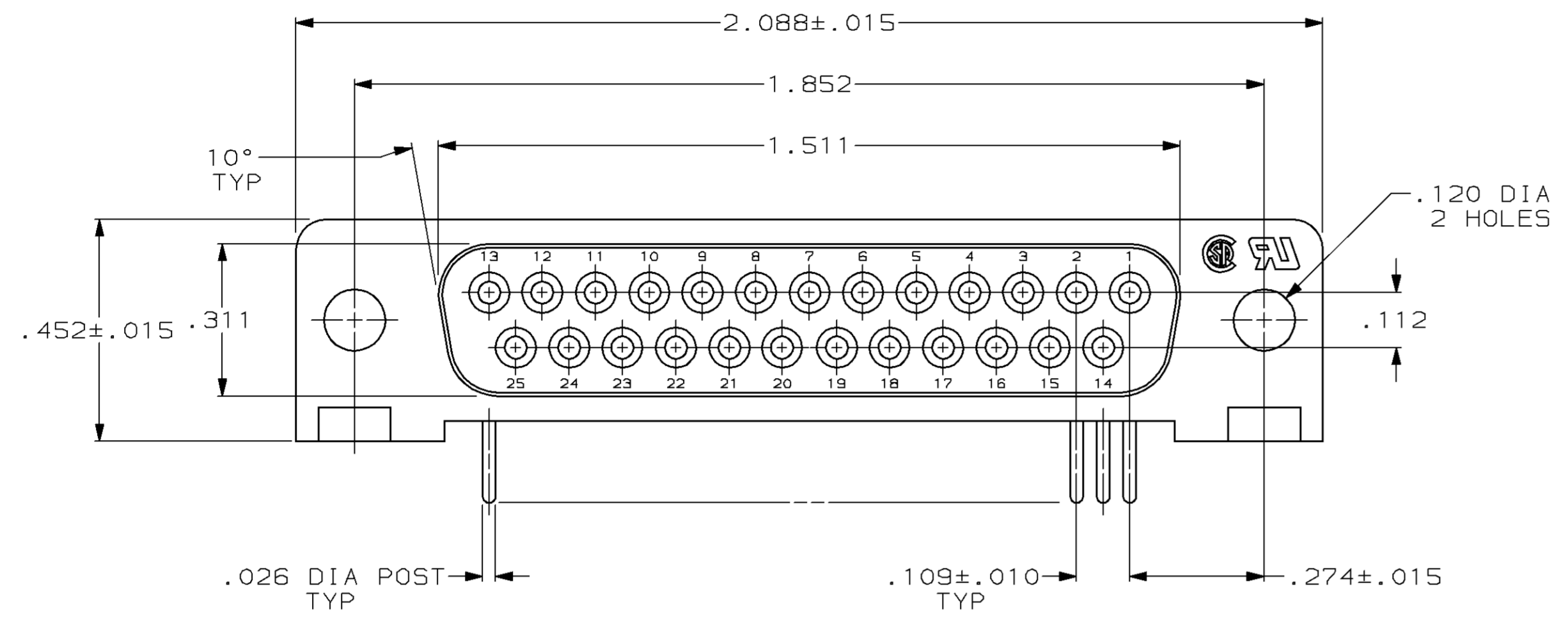


DRAWING MADE IN THIRD ANGLE PROJECTION
 THIS DRAWING IS UNPUBLISHED. RELEASED FOR PUBLICATION
 © COPYRIGHT 19 BY AMP INCORPORATED, HARRISBURG, PA. ALL INTERNATIONAL RIGHTS RESERVED. AMP PRODUCTS MAY BE COVERED BY U.S. AND FOREIGN PATENTS AND/OR PATENTS PENDING.

| LOC | | DIST | | REV | | ZONE | | LTR | | DESCRIPTION | | DATE | APPD |
|-----|----|------|--|-----|--|------|--|-----|--|-------------|--|-----------|------|
| BD | 77 | | | | | | | | | | | 10 JAN 86 | RLT |
| | | | | | | | | | | | | 27 FEB 87 | RT |



RECOMMENDED P.C. BOARD MOUNTING DIMENSIONS $\triangle 3$

- $\triangle 1$ FLAME RETARDANT, 94V-0 RATED, GLASS FILLED NYLON OR POLYESTER, COLOR: BLACK.
- $\triangle 2$ PHOS. BRONZE PER QQ-B-750.
- $\triangle 3$ REFER TO APPLICATION SPEC FOR RECOMMENDED P.C. BOARD MOUNTING DIMENSIONS FOR AUTOMATIC INSERTION.
- $\triangle 4$ GOLD PLATING PER MIL-G-45204, TIN PLATING PER MIL-T-10727, NICKEL PLATING PER QQ-N-290.
- $\triangle 5$ PLATED WITH GOLD FLASH FOR LENGTH OF .055 MIN FROM MATING END, WITH POINT OF MEASUREMENT .035 FROM MATING END OF CONTACT, .000100-.000200 TIN OR TIN-LEAD ON SOLDER END, ALL OVER .000050 NICKEL ON ENTIRE CONTACT.
- $\triangle 6$ PLATED WITH .000030 GOLD FOR LENGTH OF .055 MIN FROM MATING END, WITH POINT OF MEASUREMENT .035 FROM MATING END OF CONTACT, .000100-.000200 TIN OR TIN-LEAD ON SOLDER END, ALL OVER .000050 NICKEL ON ENTIRE CONTACT.

| | | |
|-------------------|---------------|-------------|
| SUPSD BY 745132-2 | $\triangle 6$ | 745132-2 |
| | $\triangle 5$ | 745132-1 |
| | FINISH | PART NUMBER |

| | | | |
|--|--|-------------------------------|--|
| UNLESS OTHERWISE SPECIFIED DIMENSIONS ARE IN INCHES TOLERANCES ON: | | DR 4-7-87 S. WELDON | AMP INCORPORATED Harrisburg, Pa. 17105 |
| 2 PL DEC ± .005 3 PL DEC ± .005 ANGLES ± 2° | | CHK 4-14-87 C. RICHARD | |
| MATERIAL | | APPD 4-27-87 B. TAYLOR | NAME |
| MOLDED PARTS: $\triangle 1$ CONTACTS: $\triangle 2$ | | APPD 5-5-87 J. ASSINI | RECEPTACLE ASSY, SIZE 3, 25 POSN, RIGHT ANGLE, .318 SERIES, .026 DIA POSTS, AMPLIMITE® HD-20 |
| FINISH $\triangle 4$ CONTACTS: SEE TABLE | | PRODUCT SPEC 108-40005 | SIZE |
| | | APPLICATION SPEC 114-40015 | FSCM NO 00779 |
| | | WEIGHT - | DRAWING NO 745132 |
| | | SCALE 4:1 | SHEET 1 of 1 |