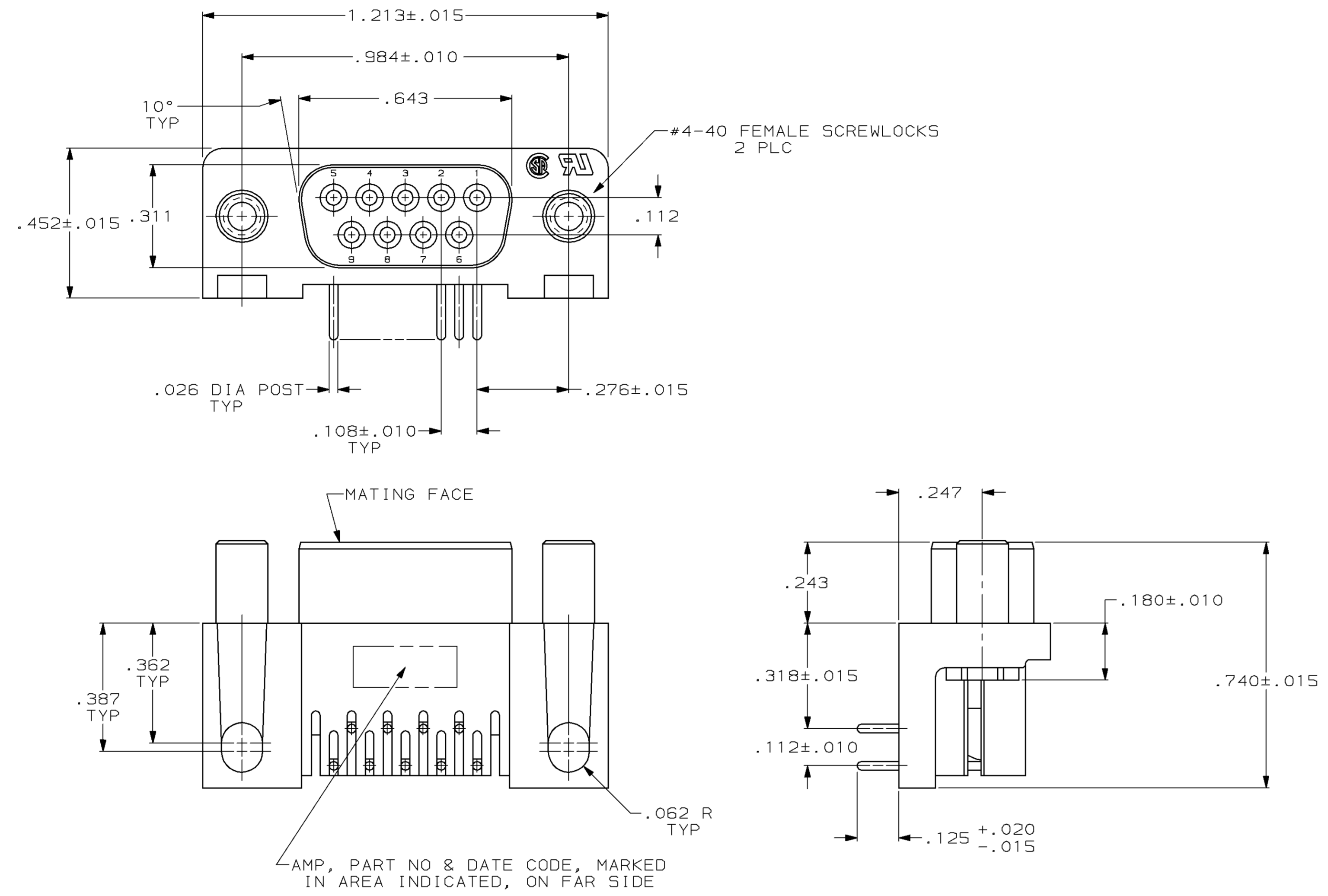
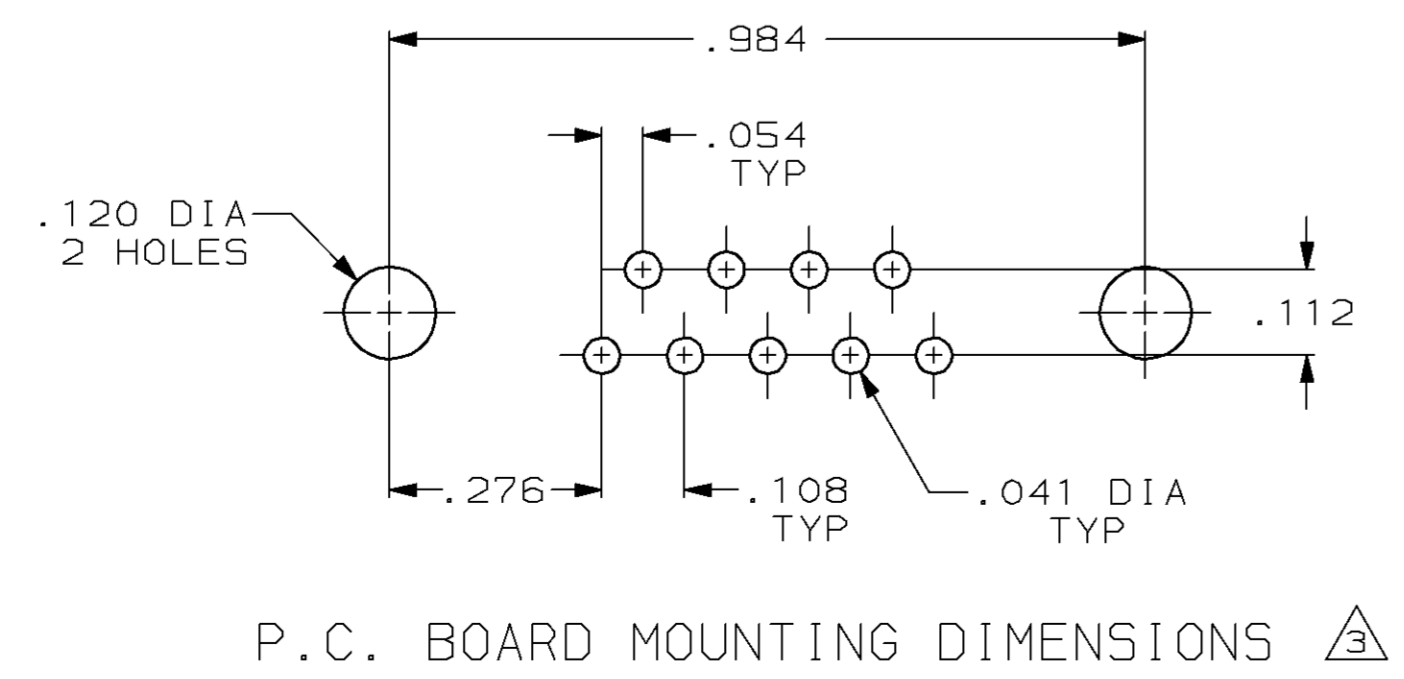


DRAWING MADE IN THIRD ANGLE PROJECTION
 THIS DRAWING IS UNPUBLISHED. RELEASED FOR PUBLICATION
 © COPYRIGHT 19 BY AMP INCORPORATED, HARRISBURG, PA. ALL INTERNATIONAL RIGHTS RESERVED. AMP PRODUCTS MAY BE COVERED BY U.S. AND FOREIGN PATENTS AND/OR PATENTS PENDING.

LOC		DIST		REV		ZONE		LTR		DESCRIPTION		DATE	APPD
FT	32	P	F										
										D	REV PER EC 0020-983-95	15 DEC 95	RT
										E	SUPSD -1 PER EC 0020-570-96	27 FEB 97	RT
										F	ADDED -3 PER EC 0320-412-97	09 JAN 98	AF



- ① FLAME RETARDANT, 94V-0 RATED, GLASS FILLED NYLON OR POLYESTER, COLOR: BLACK.
- ② PHOS. BRONZE PER QQ-B-750.
- ③ REFER TO APPLICATION SPEC FOR RECOMMENDED P.C. BOARD MOUNTING DIMENSIONS FOR AUTOMATIC INSERTION.
- ④ GOLD PLATING PER MIL-G-45204, TIN PLATING PER MIL-T-10727, NICKEL PLATING PER QQ-N-290.
- ⑤ PLATED WITH GOLD FLASH FOR LENGTH OF .055 MIN FROM MATING END, WITH POINT OF MEASUREMENT .035 FROM MATING END OF CONTACT, .000100-.000200 TIN OR TIN-LEAD ON SOLDER END, ALL OVER .000050 NICKEL ON ENTIRE CONTACT.
- ⑥ PLATED WITH .000030 GOLD FOR LENGTH OF .055 MIN FROM MATING END, WITH POINT OF MEASUREMENT .035 FROM MATING END OF CONTACT, .000100-.000200 TIN OR TIN-LEAD ON SOLDER END, ALL OVER .000050 NICKEL ON ENTIRE CONTACT.



TUBES	TRAYS	PACKAGING	FINISH	PART NUMBER
⑤	⑤	⑤		745395-3
				745395-2
				745395-1

UNLESS OTHERWISE SPECIFIED DIMENSIONS ARE IN INCHES TOLERANCES ON :		DR 5-5-87 S. WELDON		AMP INCORPORATED Harrisburg, Pa. 17105	
2 PL DEC ± .	CHK 5-5-87 C. RICHARD	NAME RECEPTACLE ASSY, SIZE 1, 9 POSN, RIGHT ANGLE, .318 SERIES, .026 DIA POSTS, W/ FEMALE SCREWLOCKS, AMPLIMITE® HD-20			
3 PL DEC ± .005	APPD 5-5-87 B. TAYLOR				
ANGLES ± 2°	APPD 5-5-87 J. ASSINI	SIZE D			
MATERIAL MOLDED PARTS: ① CONTACTS: ② SCREWLOCKS: ZINC	PRODUCT SPEC 108-40005	FSCM NO 00779	DRAWING NO 745395		
FINISH ③ CONTACTS: SEE TABLE SCREWLOCKS: CLEAR CHROMATE	APPLICATION SPEC 114-40015	WEIGHT -	SCALE 4:1	SHEET 1 of 1	