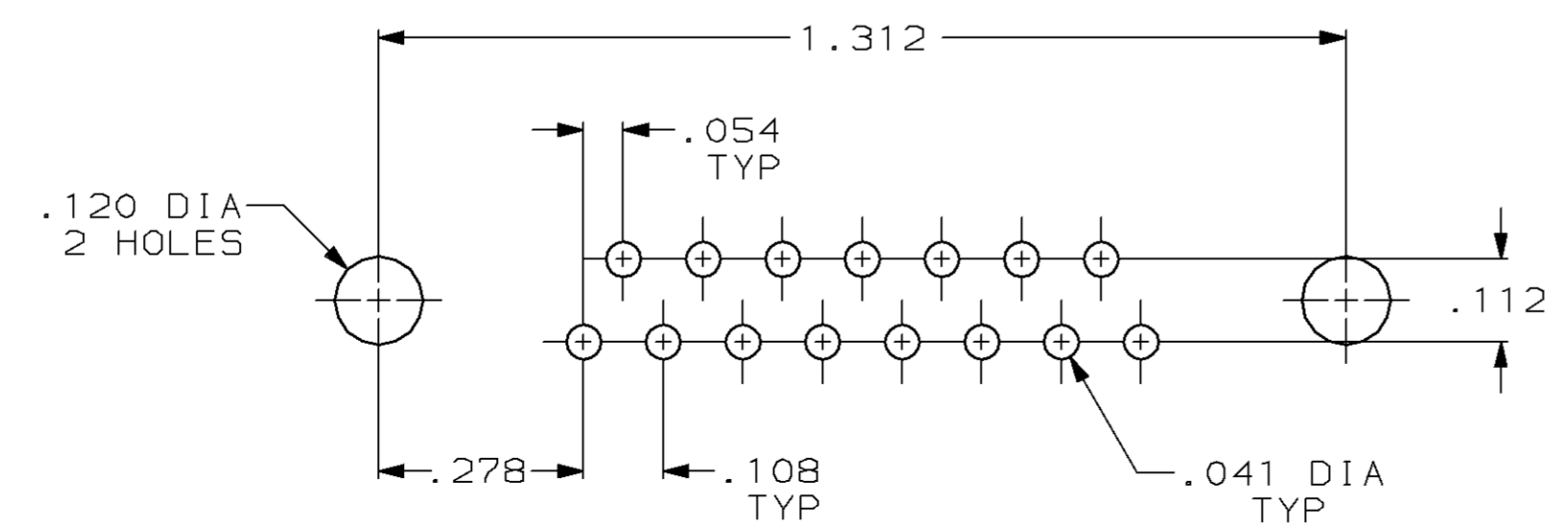
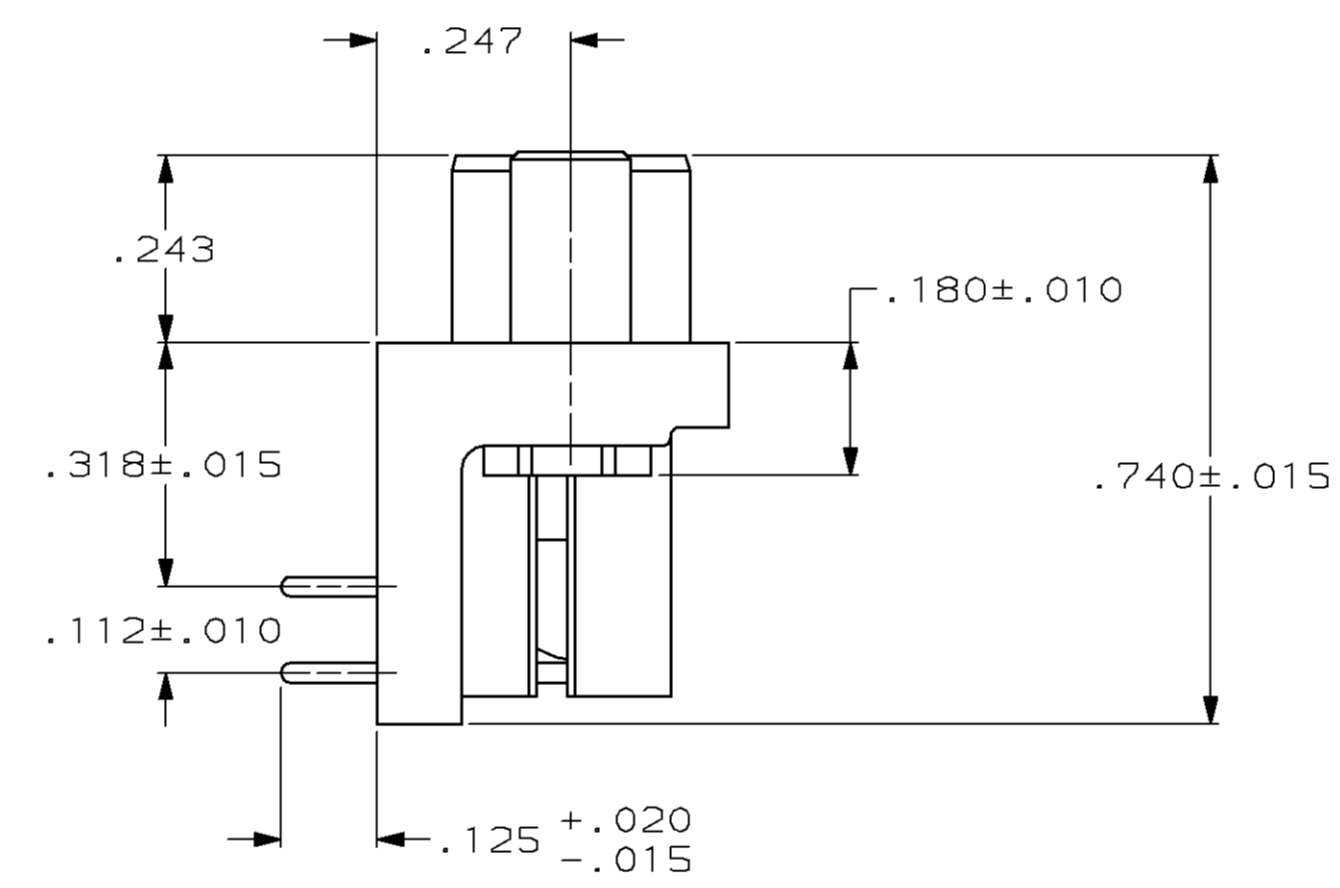
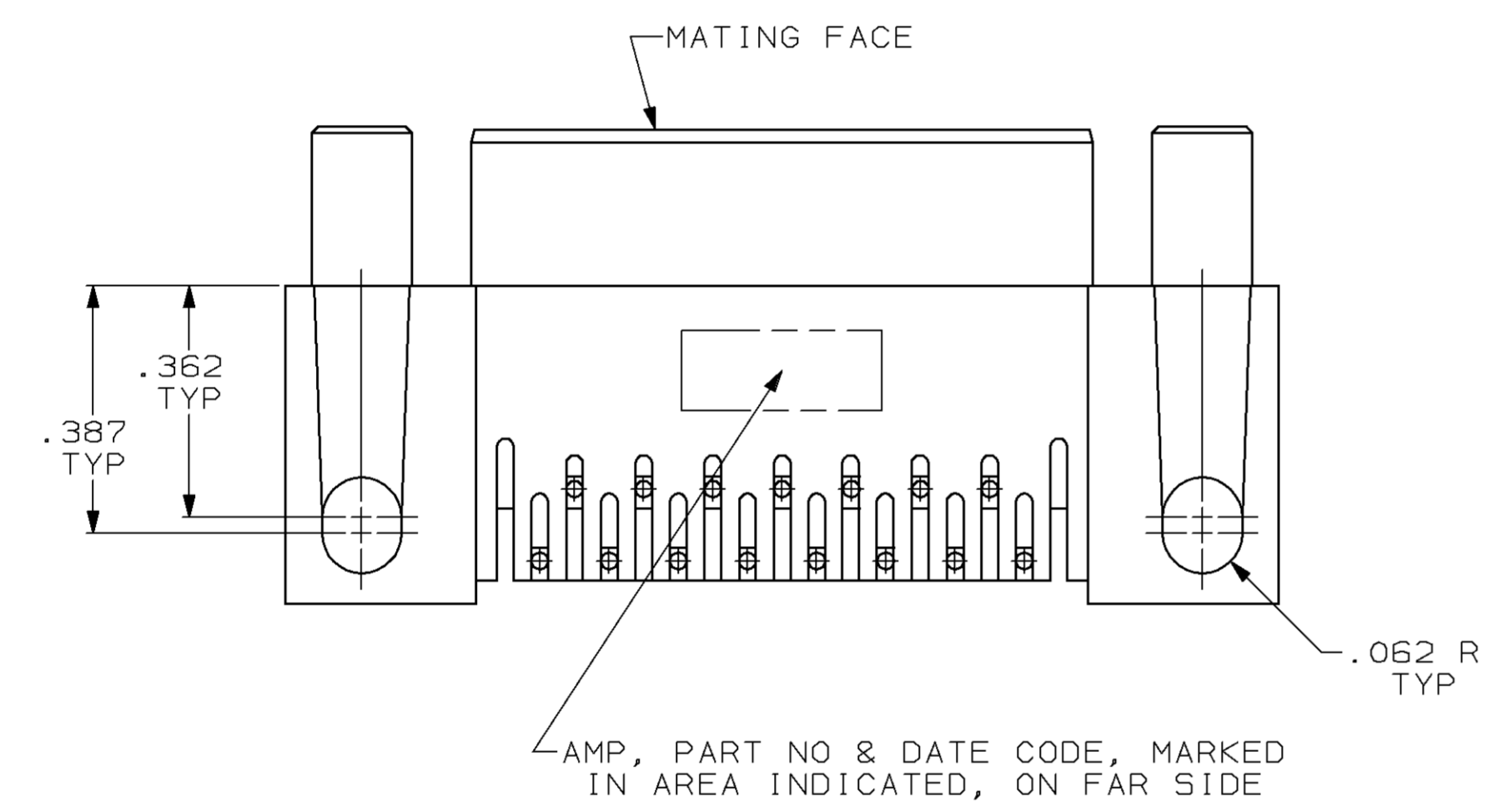
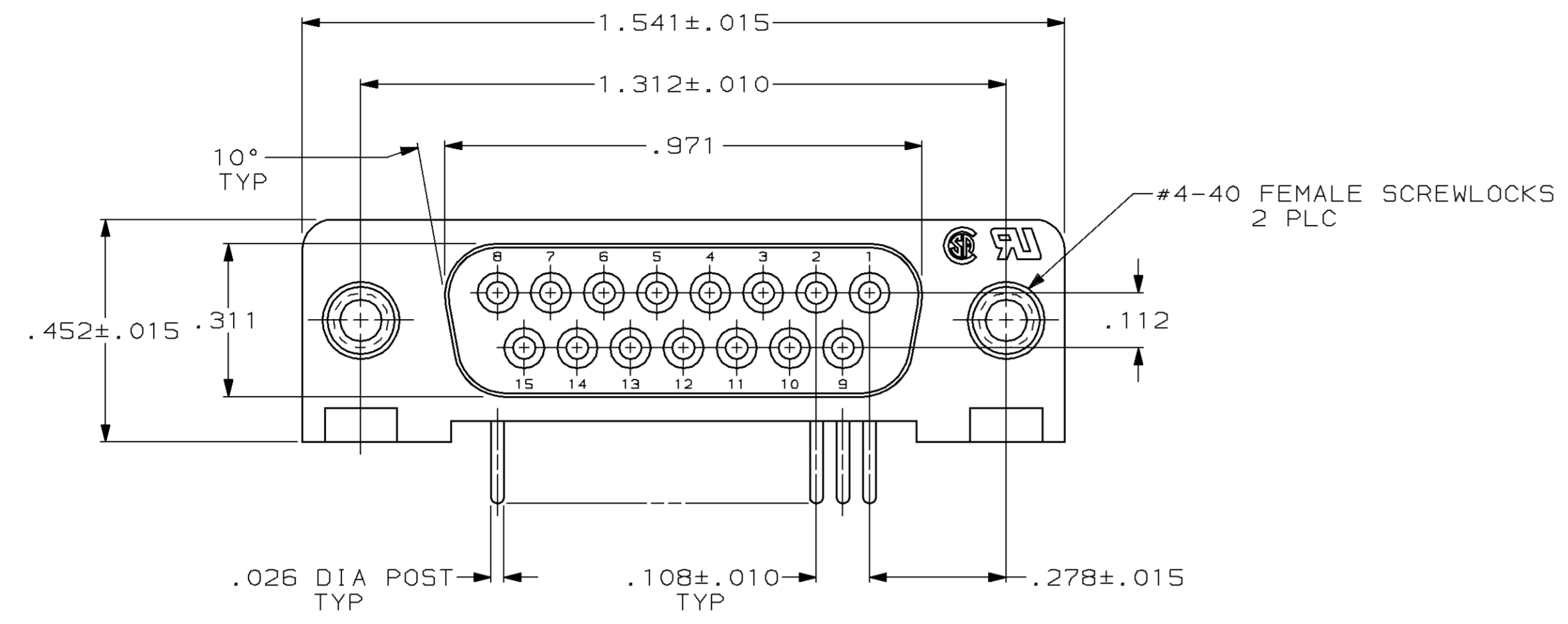


DRAWING MADE IN THIRD ANGLE PROJECTION
 THIS DRAWING IS UNPUBLISHED. RELEASED FOR PUBLICATION
 © COPYRIGHT 19 BY AMP INCORPORATED, HARRISBURG, PA. ALL INTERNATIONAL RIGHTS RESERVED. AMP PRODUCTS MAY BE COVERED BY U.S. AND FOREIGN PATENTS AND/OR PATENTS PENDING.

LOC		DIST		P		ZONE		LTR		REVISIONS		DATE	APPD
BD	77									E	REV PER EC 0020-983-95	15 DEC 95	RT



- ① FLAME RETARDANT, 94V-0 RATED, GLASS FILLED NYLON OR POLYESTER, COLOR: BLACK.
- ② PHOS. BRONZE PER QQ-B-750.
- ③ REFER TO APPLICATION SPEC FOR RECOMMENDED P.C. BOARD MOUNTING DIMENSIONS FOR AUTOMATIC INSERTION.
- ④ GOLD PLATING PER MIL-G-45204, TIN PLATING PER MIL-T-10727, NICKEL PLATING PER QQ-N-290.
- ⑤ PLATED WITH GOLD FLASH FOR LENGTH OF .055 MIN FROM MATING END, WITH POINT OF MEASUREMENT .035 FROM MATING END OF CONTACT, .000100-.000200 TIN OR TIN-LEAD ON SOLDER END, ALL OVER .000050 NICKEL ON ENTIRE CONTACT.
- ⑥ PLATED WITH .000030 GOLD FOR LENGTH OF .055 MIN FROM MATING END, WITH POINT OF MEASUREMENT .035 FROM MATING END OF CONTACT, .000100-.000200 TIN OR TIN-LEAD ON SOLDER END, ALL OVER .000050 NICKEL ON ENTIRE CONTACT.

SUPSD BY 745396-2	⑥	745396 -2
	⑤	745396 -1
	FINISH	PART NUMBER

UNLESS OTHERWISE SPECIFIED DIMENSIONS ARE IN INCHES TOLERANCES ON :		DR 5-5-87 S.WELDON	AMP AMP INCORPORATED Harrisburg, Pa. 17105
2 PL DEC ± .005		CHK 5-5-87 C.RICHARD	
3 PL DEC ± .005		APPD 5-5-87 B.TAYLOR	
ANGLES ± 2°		APPD 5-5-87 J.ASSINI	NAME RECEPTACLE ASSY, SIZE 2, 15 POSN, RIGHT ANGLE, .318 SERIES, .026 DIA POSTS, W/ FEMALE SCREWLOCKS, AMPLIMITE® HD-20
MATERIAL	CONTACTS: ①	PRODUCT SPEC	SIZE
MOLDED PARTS: ①	SCREWLOCKS: ② ZINC	108-40005	FSCM NO
FINISH ④	CONTACTS: SEE TABLE	APPLICATION SPEC	00779
SCREWLOCKS: CLEAR CHROMATE		114-40015	DRAWING NO
		WEIGHT	745396
			SCALE 4:1
			SHEET 1 of 1