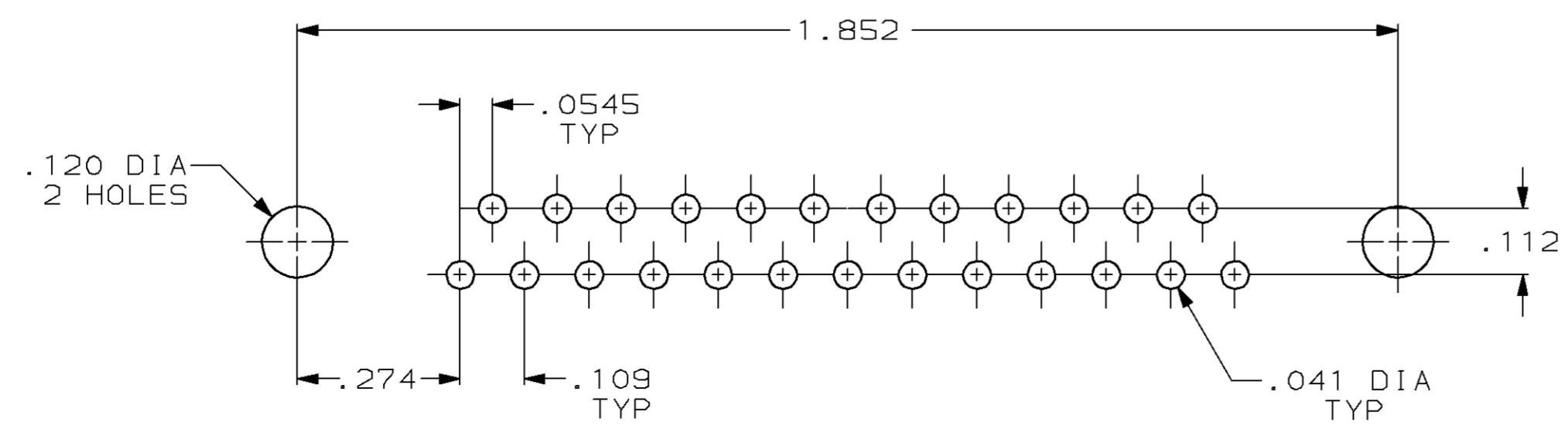
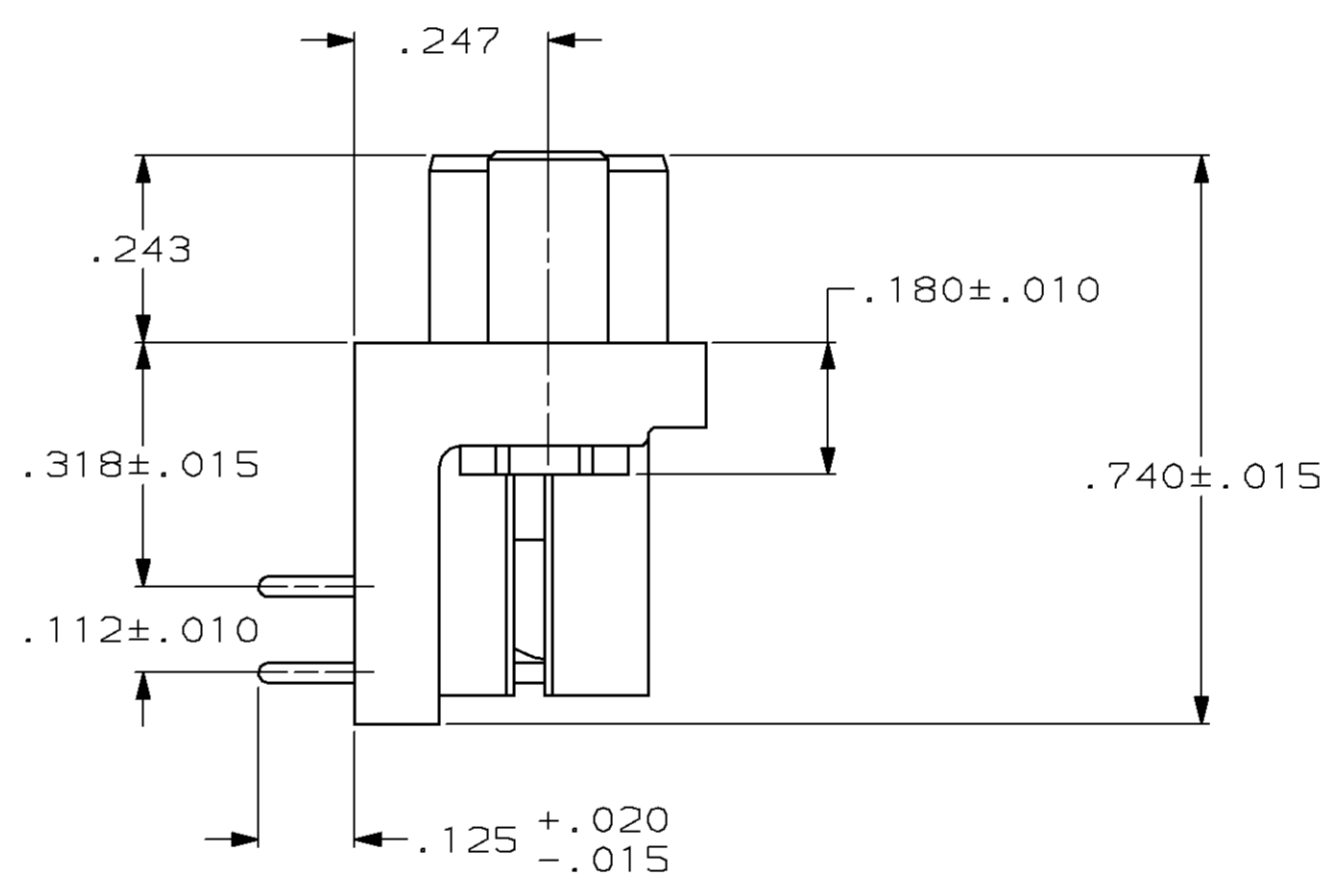
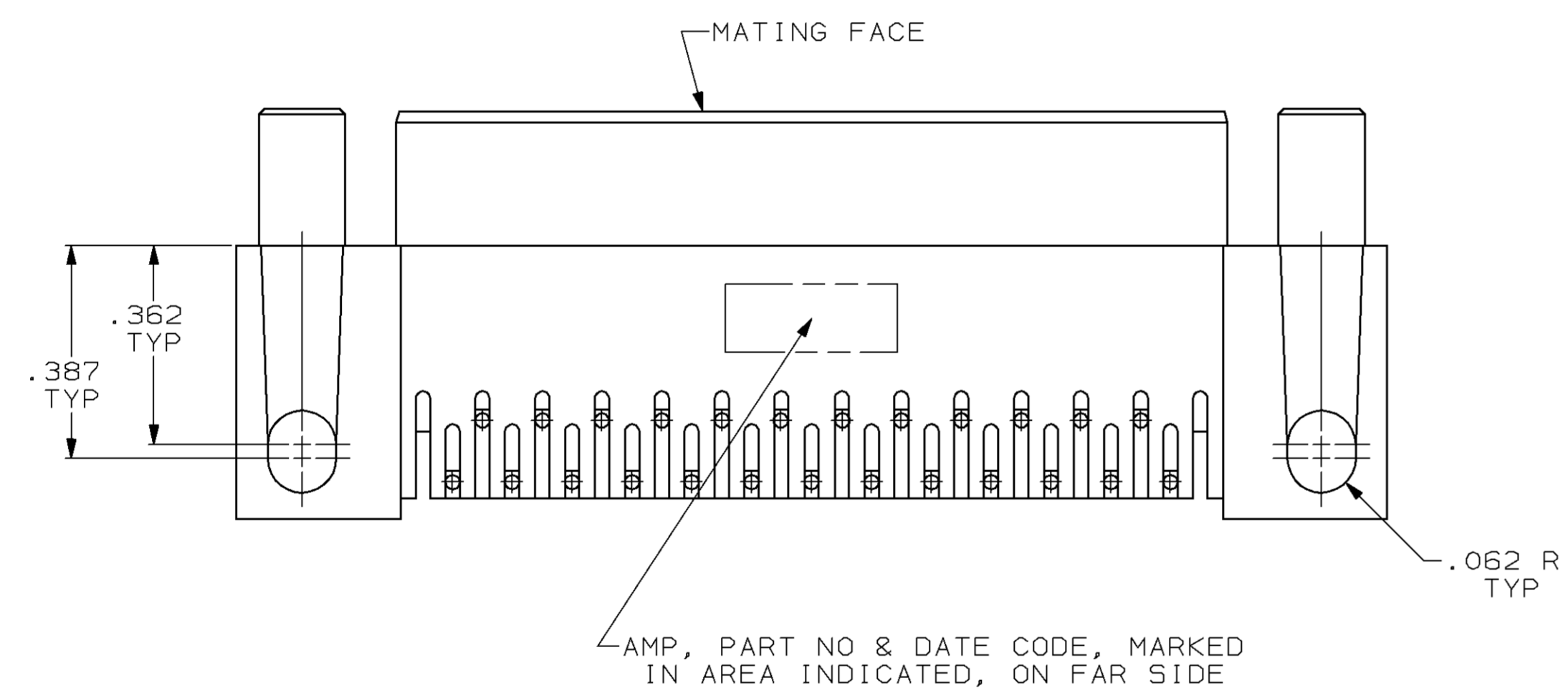
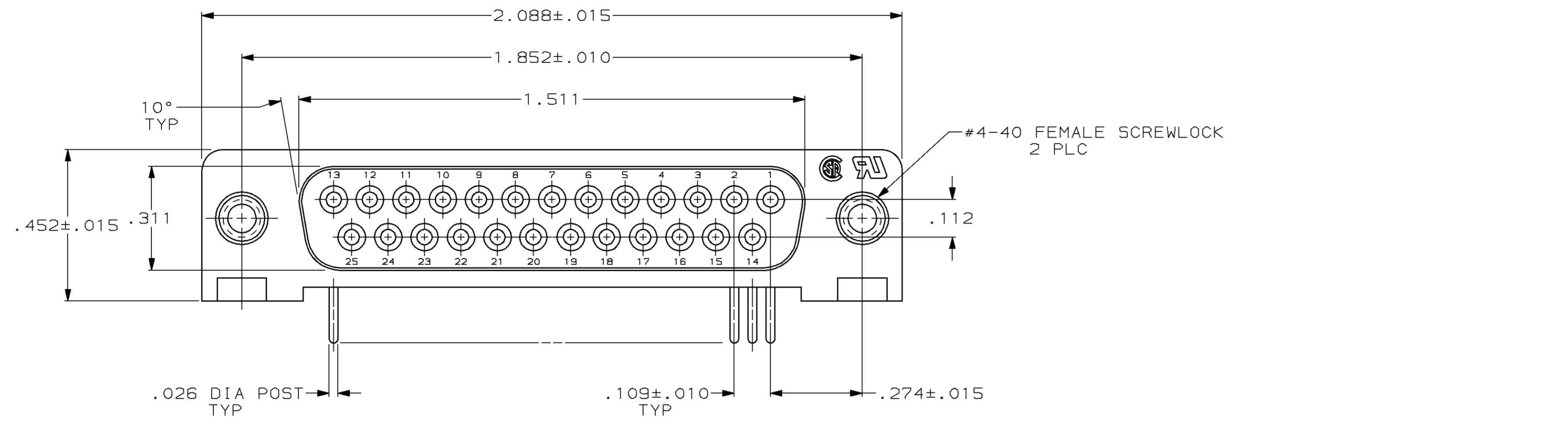


DRAWING MADE IN THIRD ANGLE PROJECTION
 THIS DRAWING IS UNPUBLISHED. RELEASED FOR PUBLICATION
 © COPYRIGHT 19 BY AMP INCORPORATED, HARRISBURG, PA. ALL INTERNATIONAL RIGHTS RESERVED. AMP PRODUCTS MAY BE COVERED BY U.S. AND FOREIGN PATENTS AND/OR PATENTS PENDING.

LOC		DIST		P		ZONE		LTR		REVISIONS		DATE	APPD
BD	77									D	REV PER EC 0020-983-95	15 DEC 95	RT
										E	SUPSD -1 PER EC 0020-570-96	28 FEB 97	RT



- ① FLAME RETARDANT, 94V-0 RATED, GLASS FILLED NYLON OR POLYESTER, COLOR: BLACK.
- ② PHOS. BRONZE PER QQ-B-750.
- ③ REFER TO APPLICATION SPEC FOR RECOMMENDED P.C. BOARD MOUNTING DIMENSIONS FOR AUTOMATIC INSERTION.
- ④ GOLD PLATING PER MIL-G-45204, TIN PLATING PER MIL-T-10727, NICKEL PLATING PER QQ-N-290.
- ⑤ PLATED WITH GOLD FLASH FOR LENGTH OF .055 MIN FROM MATING END, WITH POINT OF MEASUREMENT .035 FROM MATING END OF CONTACT, .000100-.000200 TIN OR TIN-LEAD ON SOLDER END, ALL OVER .000050 NICKEL ON ENTIRE CONTACT.
- ⑥ PLATED WITH .000030 GOLD FOR LENGTH OF .055 MIN FROM MATING END, WITH POINT OF MEASUREMENT .035 FROM MATING END OF CONTACT, .000100-.000200 TIN OR TIN-LEAD ON SOLDER END, ALL OVER .000050 NICKEL ON ENTIRE CONTACT.

SUPSD BY 745397-2
 FINISH
 745397 -2
 745397 -1
 PART NUMBER

UNLESS OTHERWISE SPECIFIED DIMENSIONS ARE IN INCHES TOLERANCES ON:		DR 5-5-87 S.WELDON	AMP AMP INCORPORATED Harrisburg, Pa. 17105
2 PL DEC ±.005		CHK 5-5-87 C.RICHARD	
3 PL DEC ±.005		APPD 5-5-87 B.TAYLOR	
ANGLES ±2°		APPD 5-5-87 J.ASSINI	NAME RECEPTACLE ASSY, SIZE 3, 25 POSN, RIGHT ANGLE, .318 SERIES, .026 DIA POSTS, W/ FEMALE SCREWLOCKS AMPLIMITE® HD-20
MATERIAL	CONTACTS: ①	PRODUCT SPEC	108-40005
MOLDED PARTS: ①	CONTACTS: ②	APPLICATION SPEC	114-40015
SCREWLOCKS: ZINC	CONTACTS: SEE TABLE	WEIGHT	-
FINISH ③	SCREWLOCKS: CLEAR CHROMATE	SIZE	D
		FSCM NO	00779
		DRAWING NO	745397
		SCALE	4:1
		SHEET	1 of 1