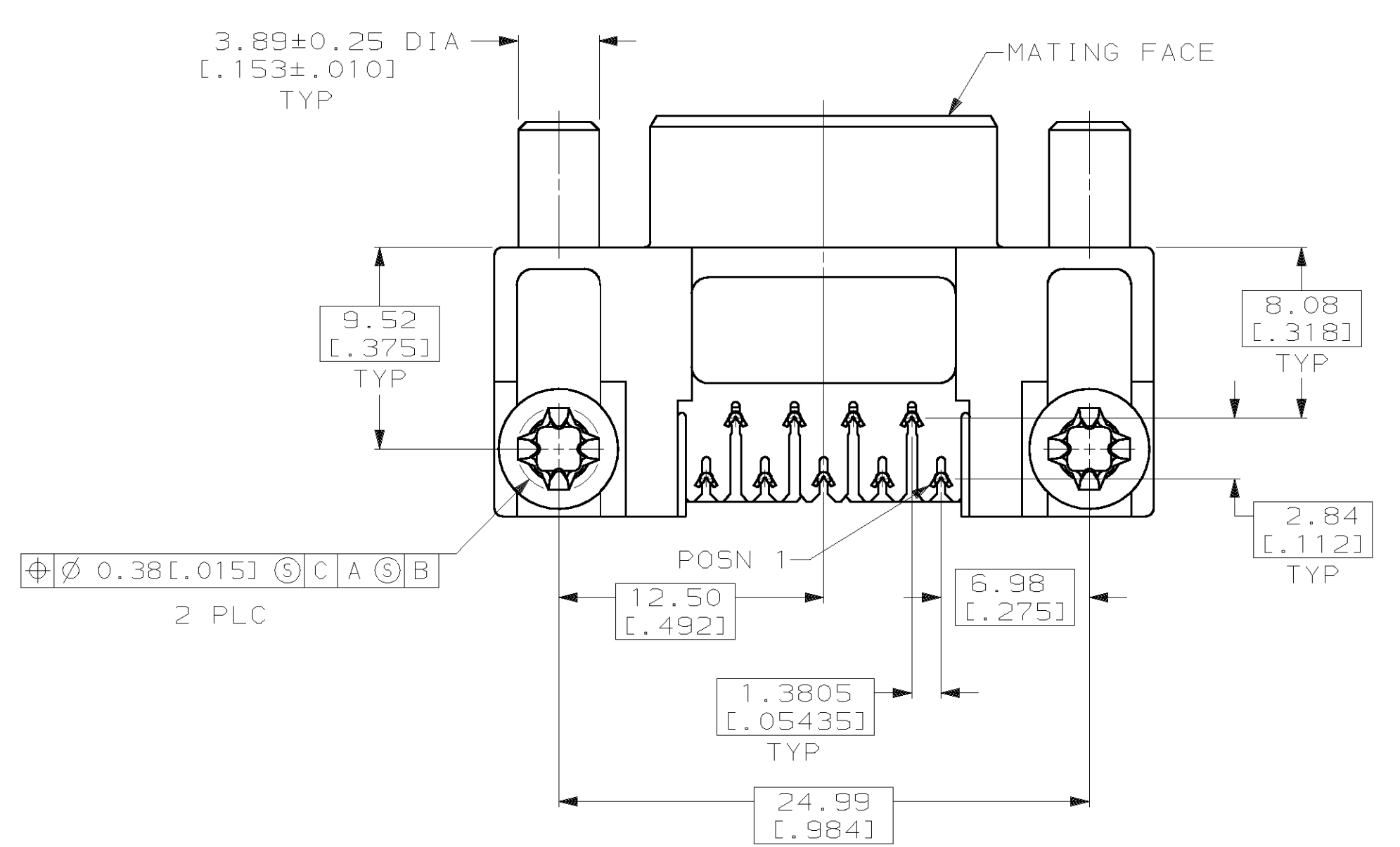
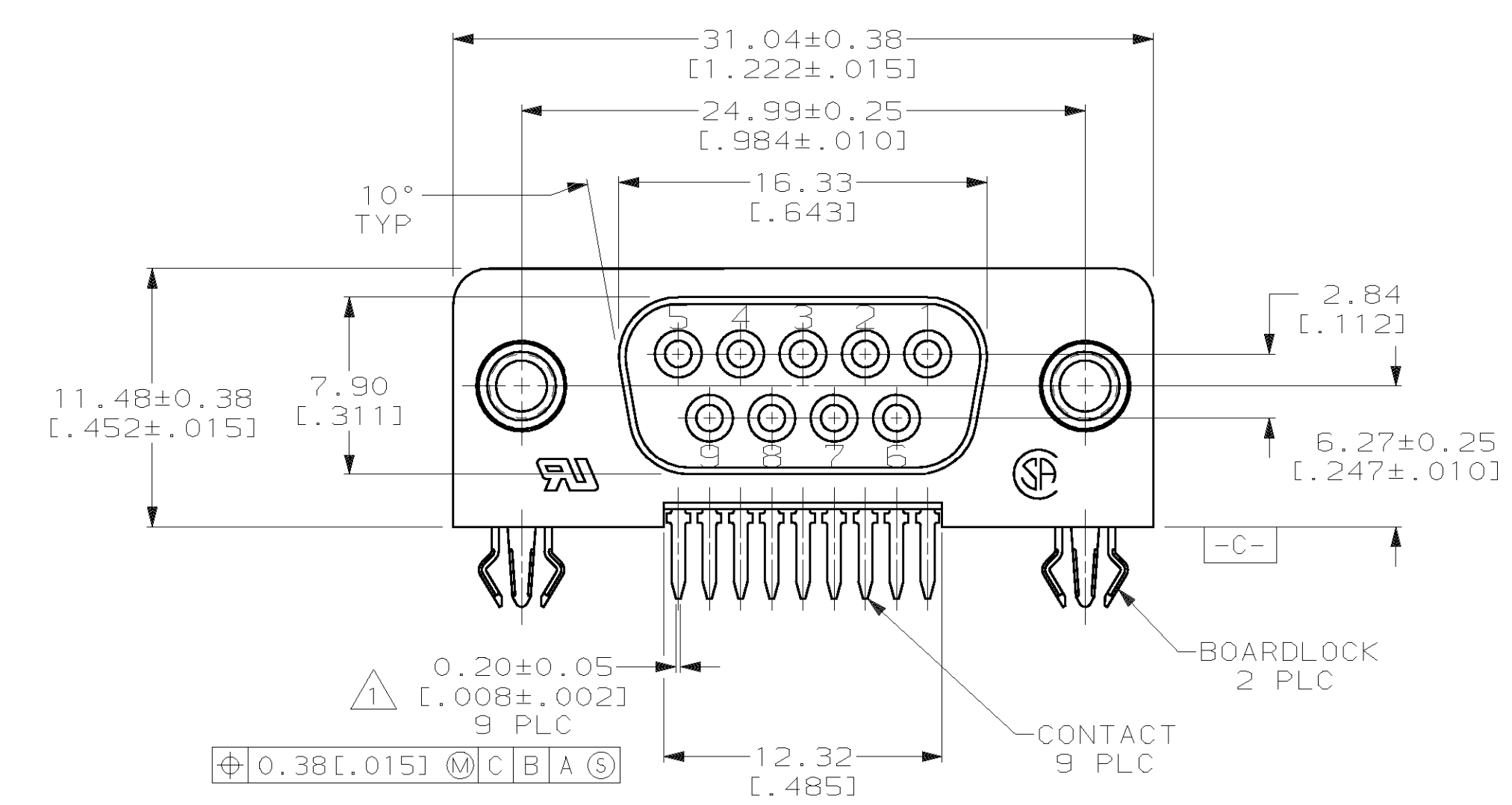
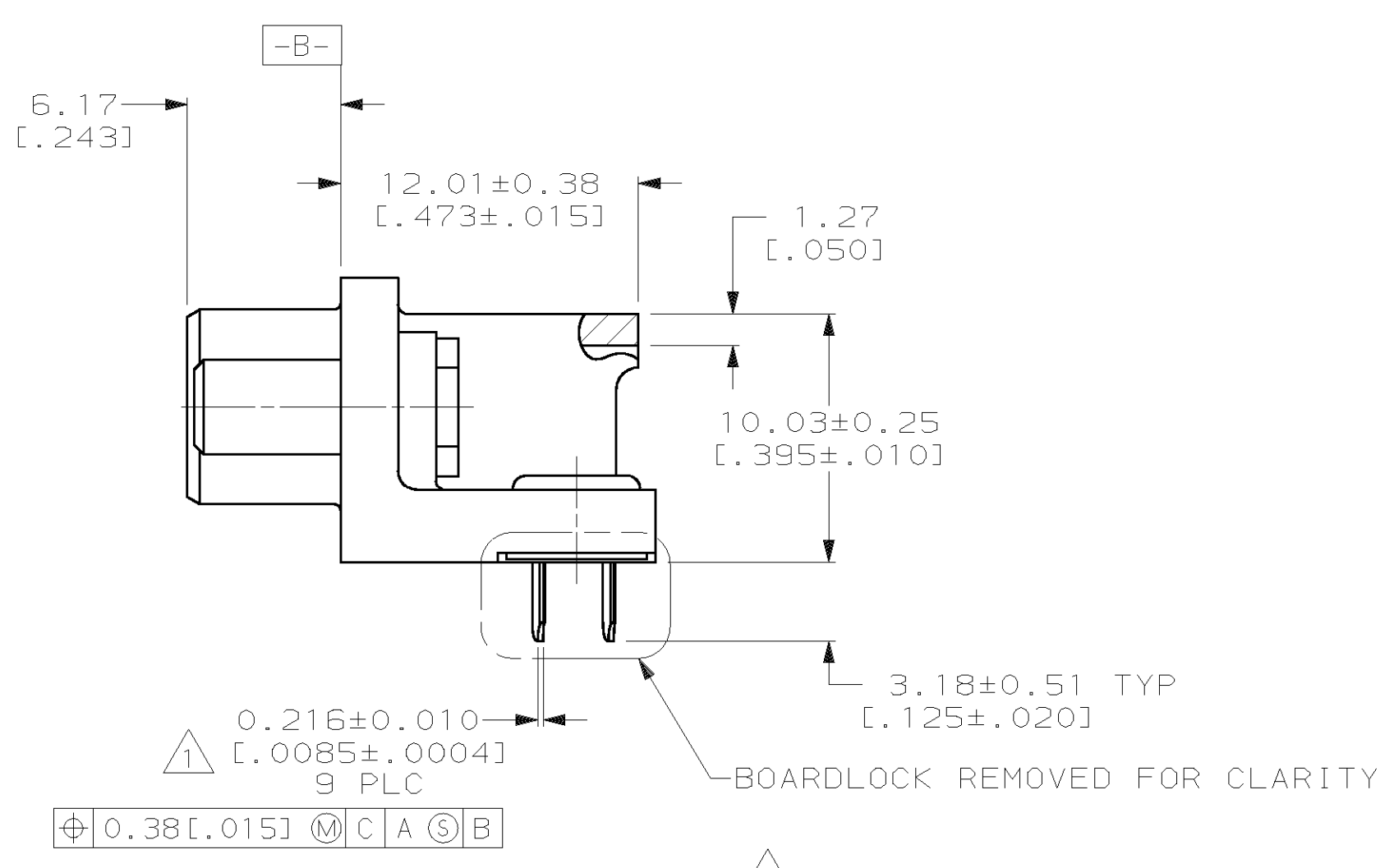
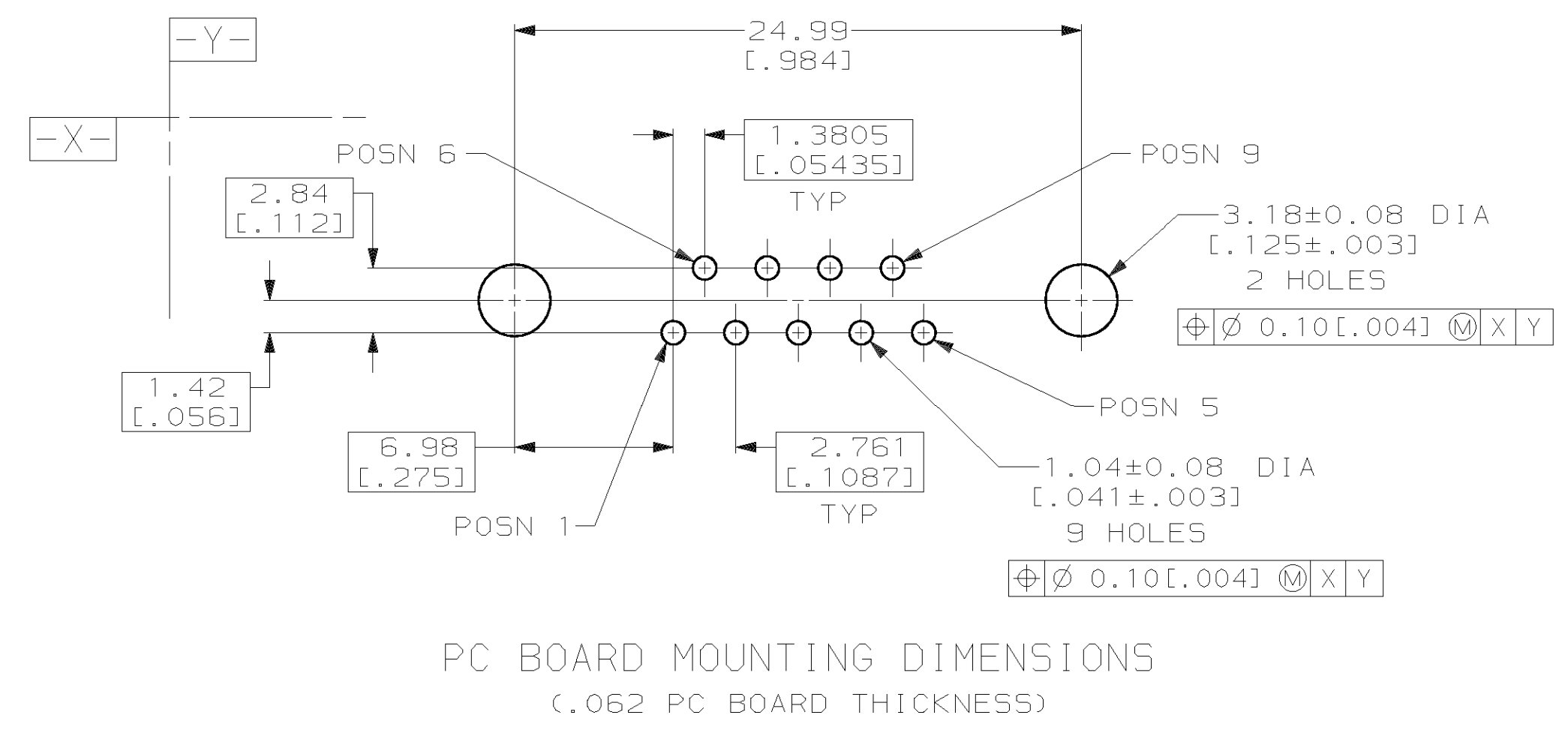
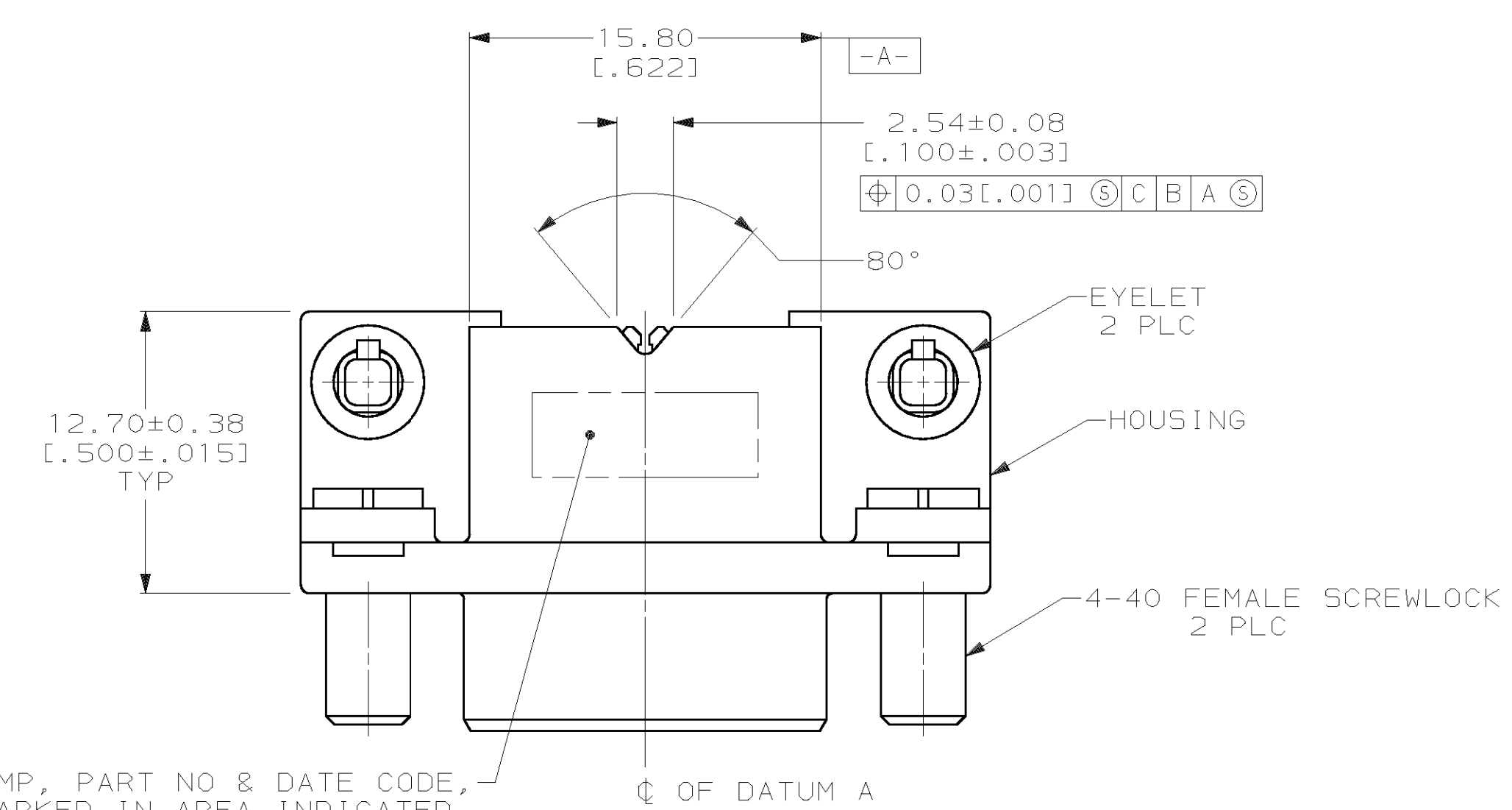


| REVISONS | | DATE | APPO |
|----------|------|-------------------------------|------------|
| LOC | Q1ST | DESCRIPTION | |
| GP | 00 | F REVISED PER EC 0513-0017-03 | 12MAY03 JG |



- ① POSITION TOLERANCE APPLIES AT TIP ONLY.
- ② NYLON OR POLYESTER, UL94V-0 RATED, BLACK.
- ③ PHOSPHOR BRONZE PER QQ-B-750.
- ④ EYELETS: BRASS; SCREWLOCKS: ZINC; BOARDLOCKS: COPPER ALLOY.
- ⑤ GOLD PLATING PER MIL-G-45204, NICKEL PLATING PER QQ-N-290, TIN PLATING PER MIL-T-10727.
- ⑥ EYELETS: 5.08 μm [0.000200] MIN TIN OVER COPPER FLASH; BOARDLOCKS: 5.08 μm [0.000200] MIN TIN-LEAD OVER 1.27 μm [0.000500] MIN NICKEL.
- ⑦ 0.76 μm [0.000030] MIN GOLD FOR A LENGTH OF 1.52 [0.060] MIN FROM MATING END, 3.05 μm [0.000120] MIN TIN-LEAD FOR A LENGTH OF 3.68 [1.145] MIN FROM OPPOSITE END, BOTH OVER 1.27 μm [0.000500] MIN NICKEL.
- ⑧ GOLD FLASH FOR A LENGTH OF 1.52 [0.060] MIN FROM MATING END, 3.05 μm [0.000120] MIN TIN-LEAD FOR A LENGTH OF 3.68 [1.145] MIN FROM OPPOSITE END, BOTH OVER 1.27 μm [0.000500] MIN NICKEL.
- ⑨ 0.25 μm [0.000010] MIN GOLD FOR A LENGTH OF 1.52 [0.060] MIN FROM MATING END, 3.05 μm [0.000120] MIN TIN-LEAD FOR A LENGTH OF 3.68 [1.145] MIN FROM OPPOSITE END, BOTH OVER 1.27 μm [0.000500] MIN NICKEL.

| | | |
|----------|---|----------------|
| OBSOLETE | ⑨ | 748979-3 |
| OBSOLETE | ⑧ | 748979-2 |
| | ⑦ | 748979-1 |
| | | CONTACT FINISH |
| | | PART NO |

| | | |
|----------------------------------------------------------------------------------------------------------------------------------------------|---------------------------------------------------------------------------------------------------------|----------------------------------------------------------------------------------------------------|
| DO NOT SCALE PRINT. UNLESS SPECIFIED DIMENSIONS IN mm [INCHES] TOLERANCES - ON : 2 PLC DEC ± 0.13 [0.005] 3 PLC DEC ± - ANGLES ± 2° | DR 08/03/89 S.WELDON CHK 8/29/89 R.STONE APPD 9/18/89 W.SWAIN APPD 9/18/89 C.ROHDE | NAME RECEPTACLE ASSEMBLY, SIZE 1, 9 POSN, ALL PLASTIC, RIGHT ANGLE, .318 SERIES, AMPLIMITE® III |
| MATERIAL HOUSING: ② CONTACTS: ③ HARDWARE: ④ | PRODUCT SPEC 108-1226 | SIZE D |
| FINISH ⑤ CONTACTS: SEE TABLE SCREWLOCKS: CLEAR CHROMATE | APPLICATION SPEC 114-40027 | CAGE CODE 00779 |
| | WEIGHT | DRAWING NO 748979 |
| | | SCALE 4:1 |
| | | SHEET 1 OF 1 |