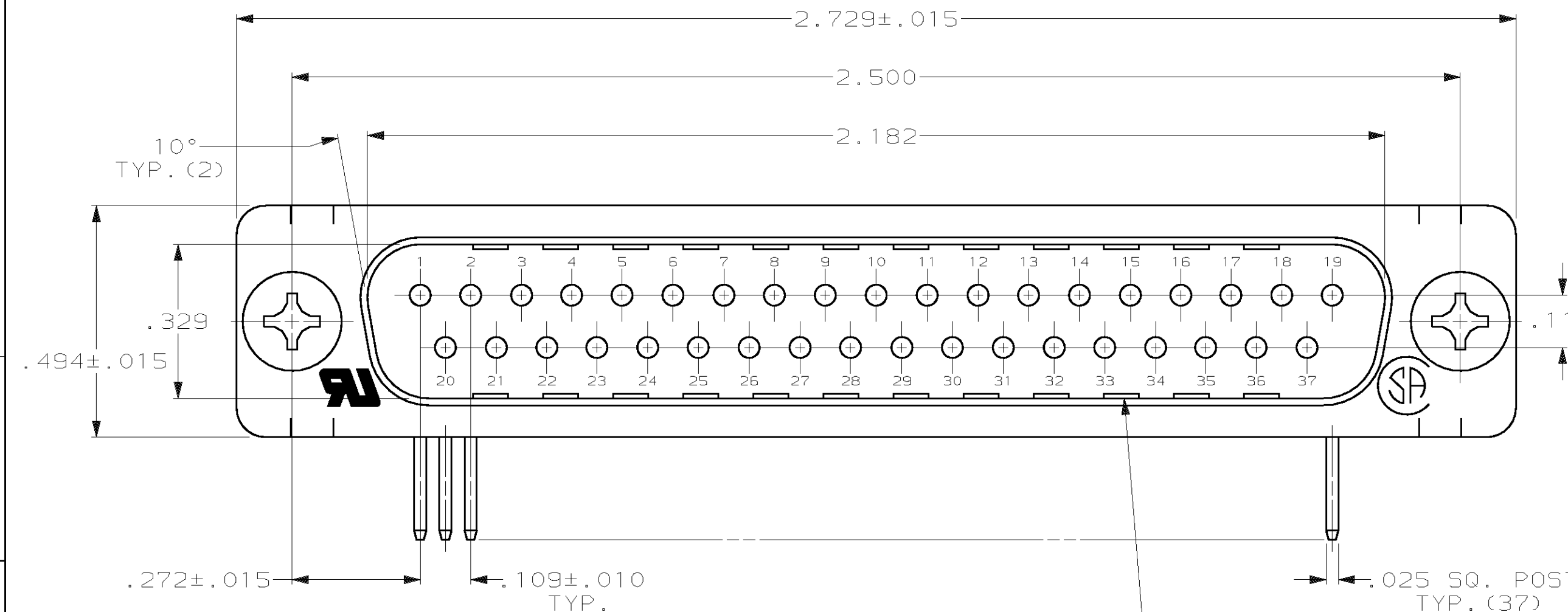
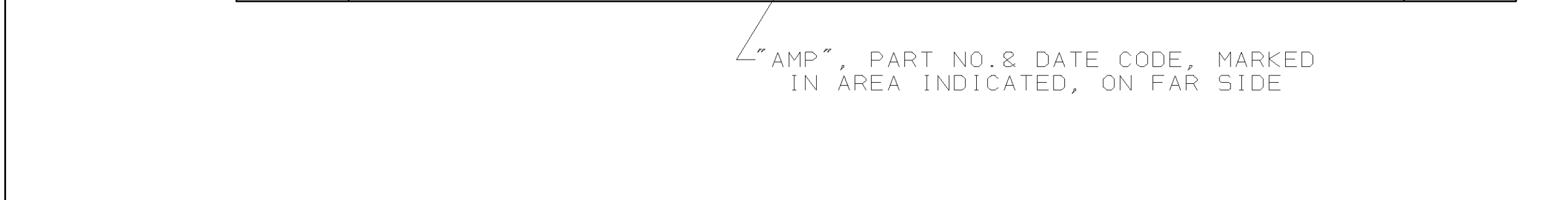
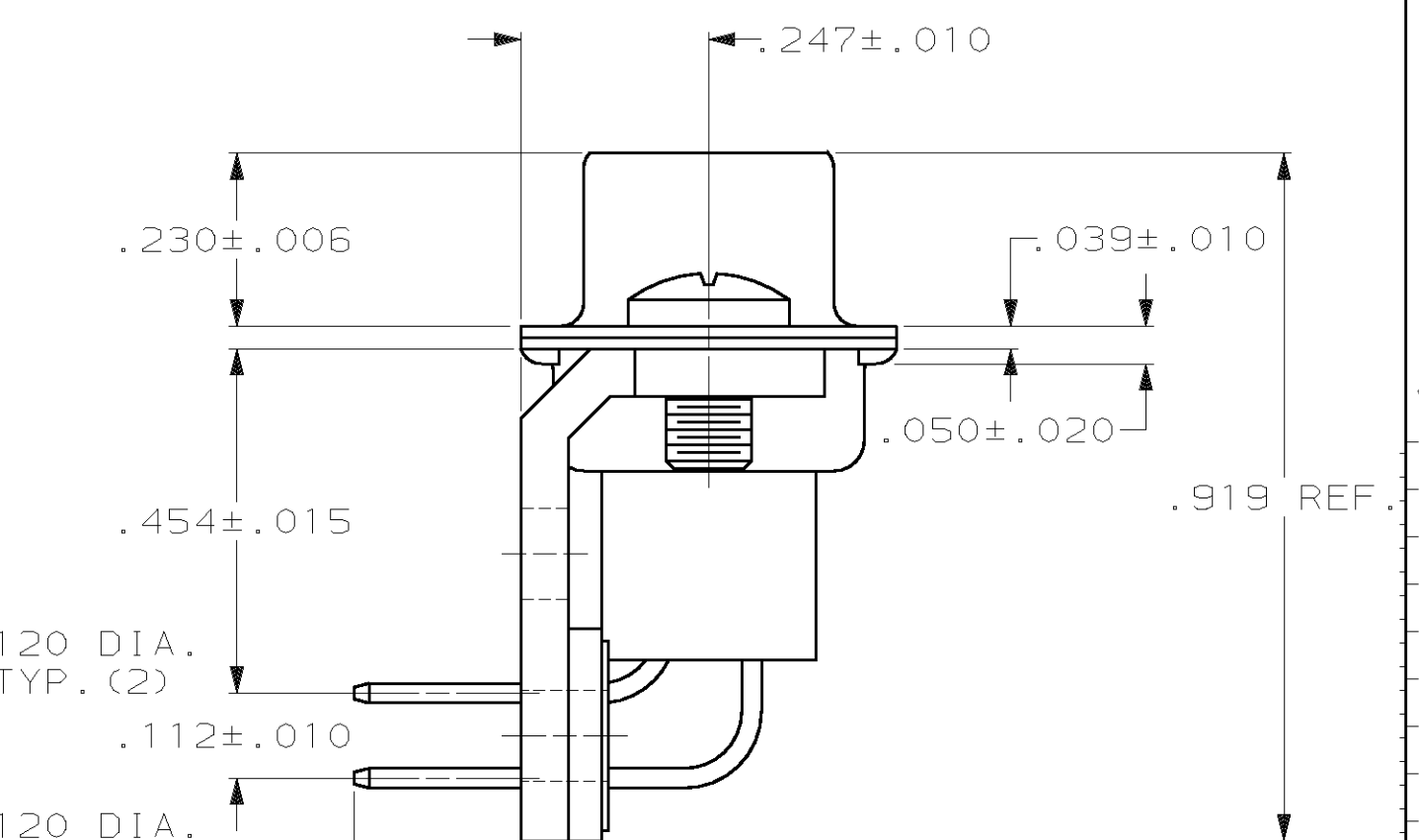
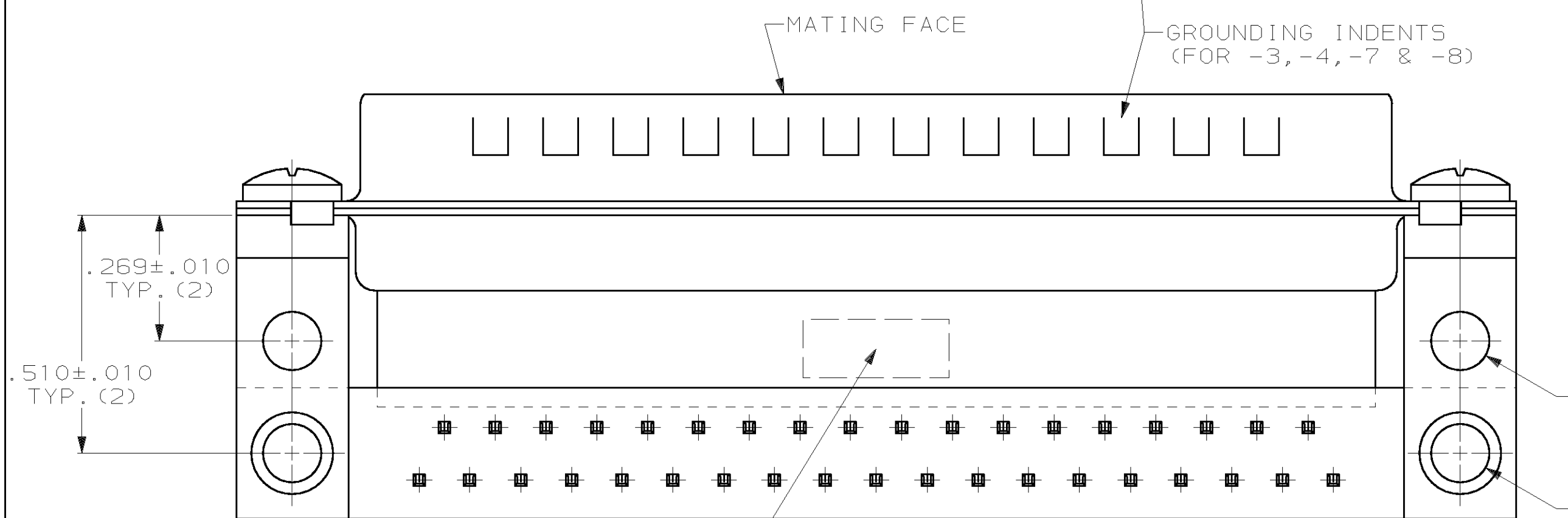


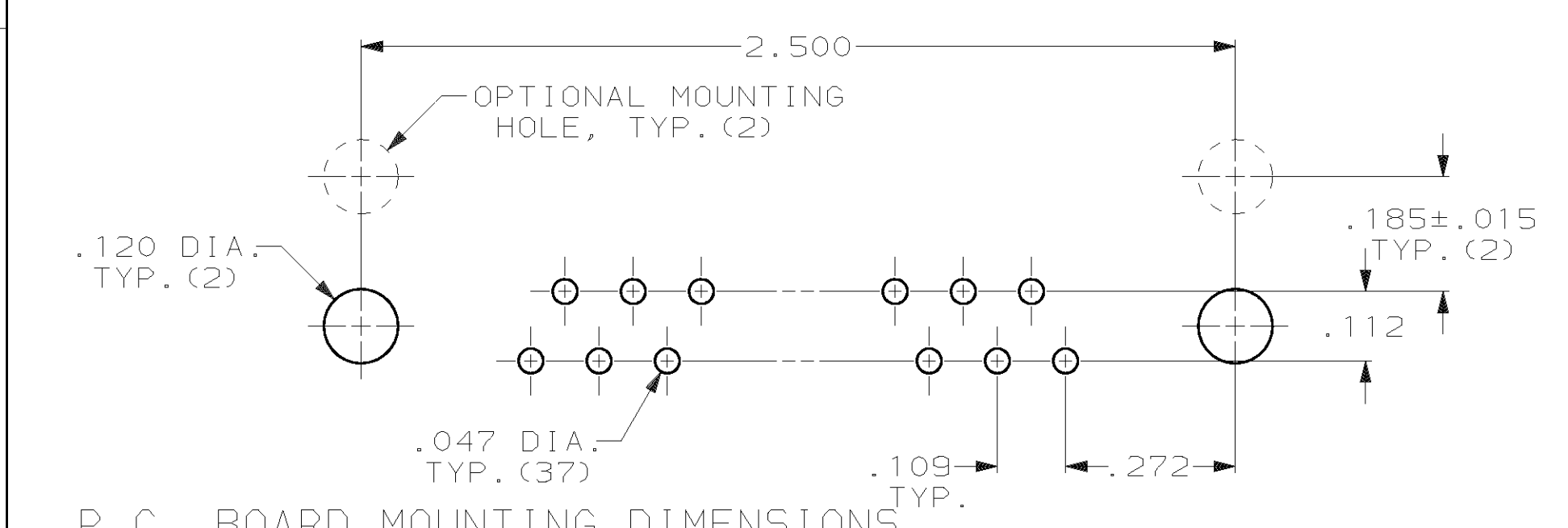
LOC		DIST		P		F		ZONE		LTR		REVISIONS	
BD		77										DATE	APPD
										G	SUPSD -7 PER EC 0020-438-96	01 APR 97	RT
										H	REV PER EC 0640-429-98	18 FEB 99	RT



- CONNECTOR MATES WITH ANY 37 POS. RECEPTACLE IN AMPLIMITE SERIES & COMPLIES WITH AMP SPEC. 108-40,005 WHERE APPLICABLE.
- FLAME RETARDANT 94V-0 RATED THERMOPLASTIC; COLOR: BLACK.
- STEEL PER ASTM A109.
- BRASS PER MIL-C-50.
- TIN PLATING PER MIL-T-10727, GOLD PLATING PER MIL-G-45204, NICKEL PLATING PER QQ-N-290.
- TIN PLATED.
- GOLD PLATED FOR LENGTH OF .150 MIN FROM MATING END, GOLD FLASH IN MATED AREA, .000100 MIN TIN-LEAD ON OPPOSITE END, BOTH OVER .000050 MIN NICKEL.
- GOLD PLATED FOR LENGTH OF .150 MIN FROM MATING END, .000030 MIN GOLD IN MATED AREA, .000100 MIN TIN-LEAD ON OPPOSITE END, BOTH OVER .000050 MIN NICKEL.



SIZE	CAGE CODE	DRAWING NO
.125		745437-8
.125		745437-7
OBSOLETE		745437-6
OBSOLETE		745437-5
OBSOLETE		745437-4
.220		745437-3
OBSOLETE		745437-2
OBSOLETE		745437-1



DO NOT SCALE PRINT. UNLESS SPECIFIED DIMENSIONS IN INCHES TOLERANCES ON: 2 PLC DEC ± .005 3 PLC DEC ± .005 ANGLES ± 2°	DR 12-16-83 J.GERACE CHK 12-16-83 J.GERACE APPD 03-15-84 P.SWEIGARD APPD 03-15-84 J.ASSINI	<b>AMP</b> AMP Incorporated Harrisburg, PA 17105-3608	
MATERIAL MOLDED PARTS: $\Delta$ SHELLS & BRACKETS: $\Delta$ CONTACTS: $\Delta$	PRODUCT SPEC	NAME PLUG ASSEMBLY, SIZE 4, 27 POSN, RIGHT ANGLE, .454 SERIES, .025 SQ. POSTS, AMPLIMITE™ HDP	
FINISH $\Delta$ SHELLS & BRACKETS: $\Delta$ CONTACTS: SEE TABLE	APPLICATION SPEC	SIZE C	CAGE CODE 00779
	WEIGHT	DRAWING NO C=745437	SHEET 1 OF 1