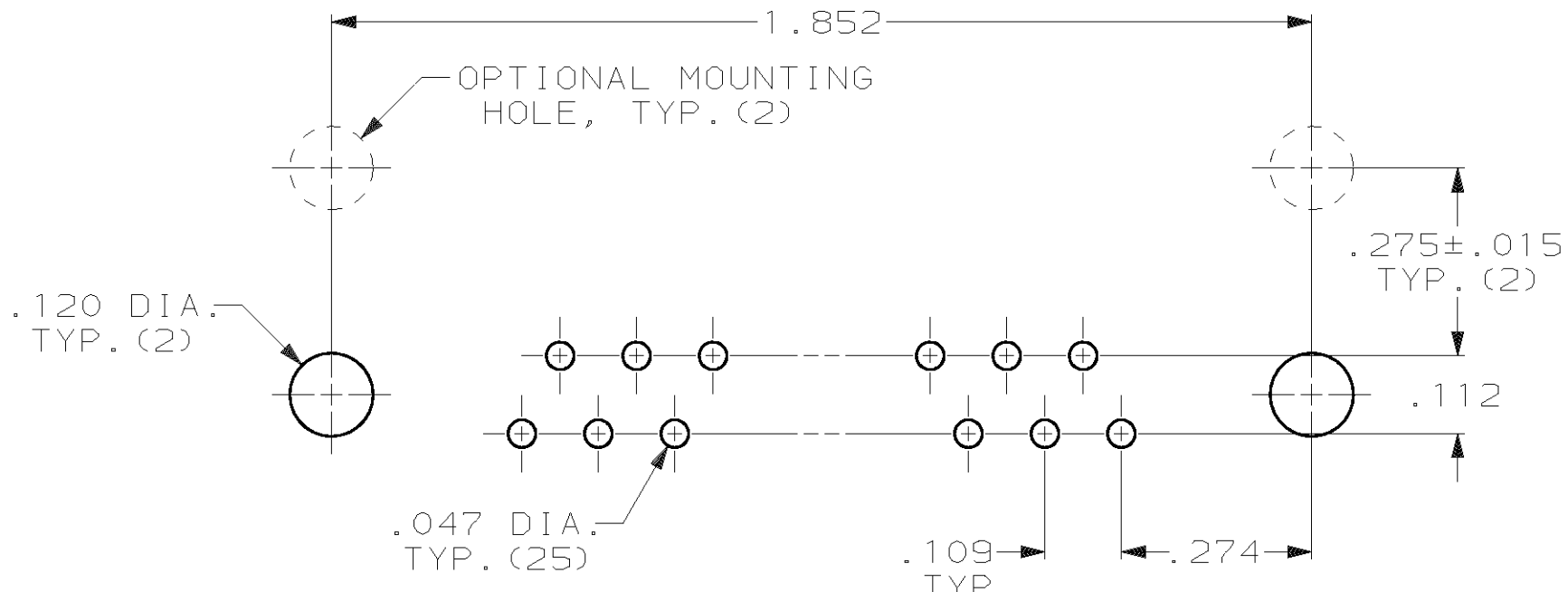
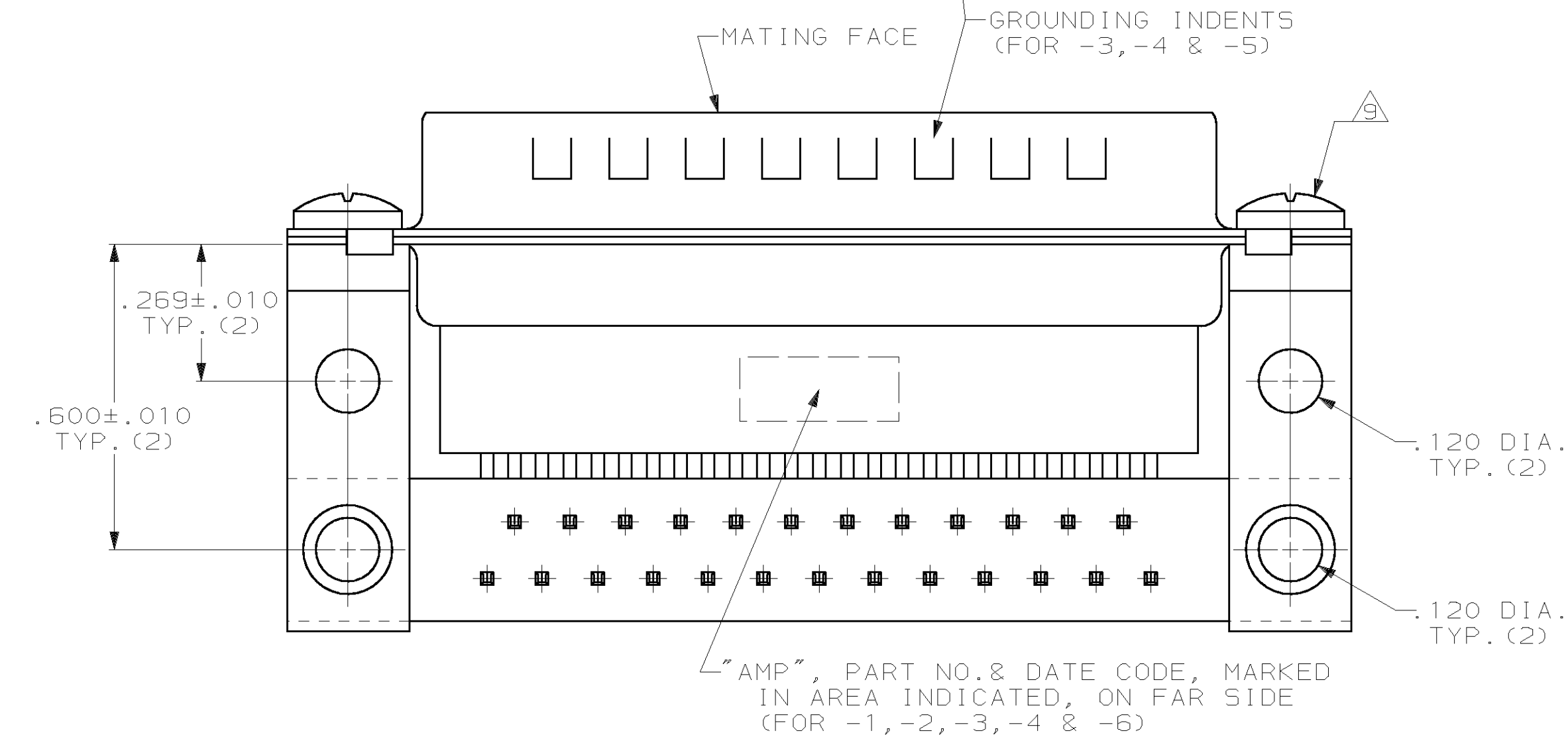
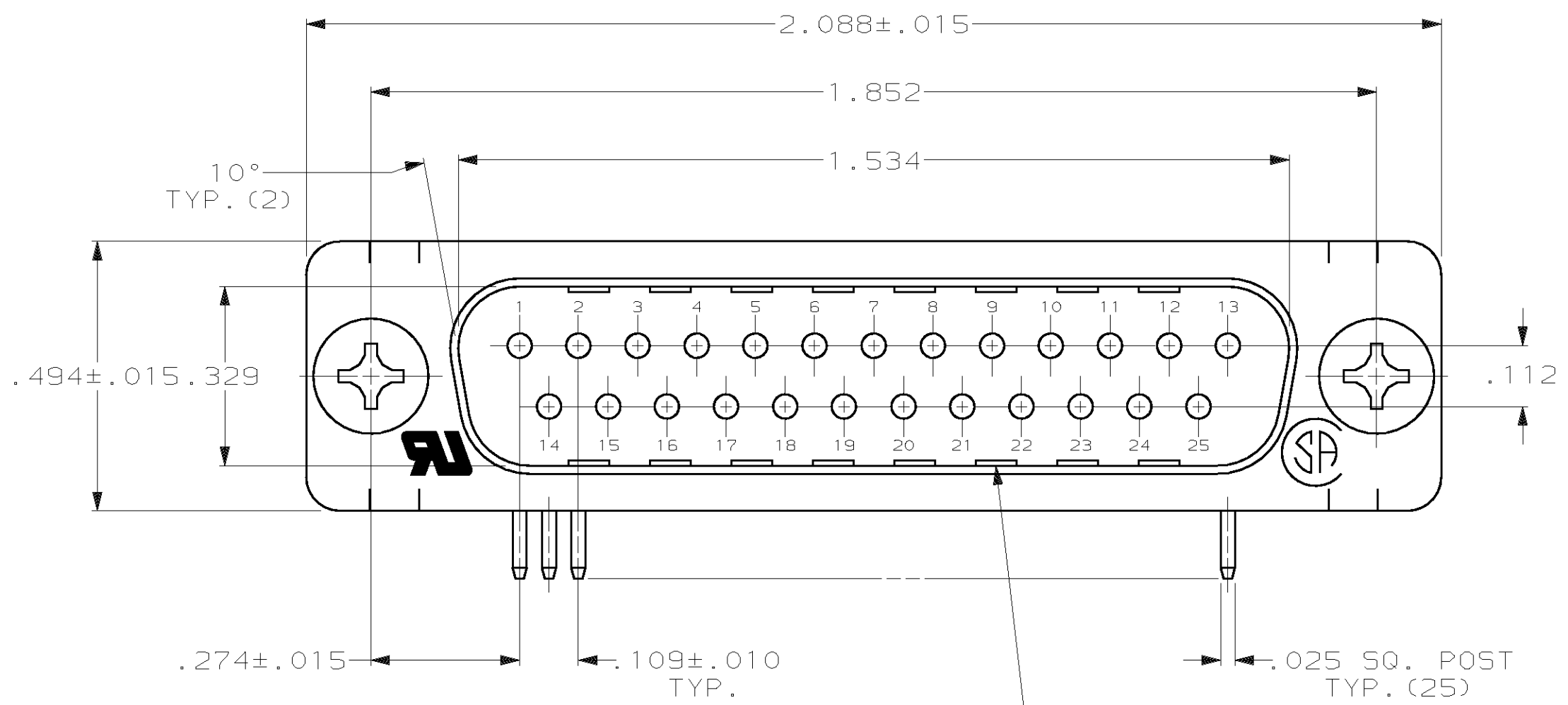
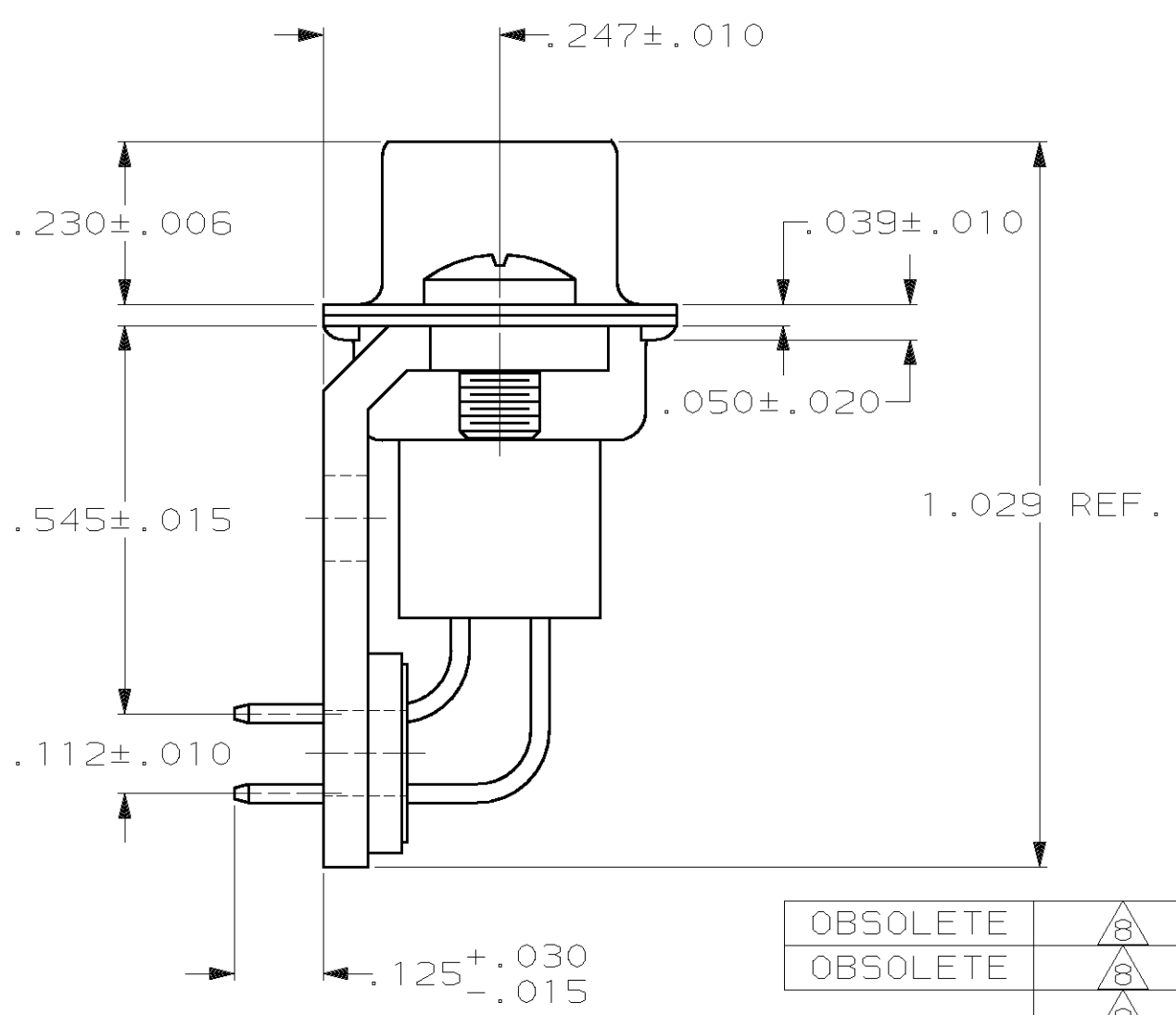


LOC		D15T		P		F		ZONE		LTR		REVISIONS		DATE	APPD
GP	00									J		REV PER EC OUE0-0002-01	10 JAN 02	JR	



- CONNECTOR MATES WITH ANY 25 POS. RECEPTACLE IN AMPLIMITE SERIES & COMPLIES WITH AMP SPEC. 108-40,005 WHERE APPLICABLE.
- FLAME RETARDANT 94V-0 RATED THERMOPLASTIC; COLOR: BLACK.
- STEEL PER ASTM A109.
- BRASS PER MIL-C-50.
- TIN PLATING PER MIL-T-10727, GOLD PLATING PER MIL-G-45204, NICKEL PLATING PER QQ-N-290.
- TIN PLATED.
- GOLD PLATED FOR LENGTH OF .150 MIN FROM MATING END, GOLD FLASH IN MATED AREA, .000100 MIN TIN-LEAD ON OPPOSITE END, BOTH OVER .000050 MIN NICKEL.
- GOLD PLATED FOR LENGTH OF .150 MIN FROM MATING END, .000030 MIN GOLD IN MATED AREA, .000100 MIN TIN-LEAD ON OPPOSITE END, BOTH OVER .000050 MIN NICKEL.
- SCREWS ARE FOR -1, -2, -3 & -4.



CONTACT FINISH	PART NO
8	745353-6
8	745353-5
8	745353-4
7	745353-3
8	745353-2
7	745353-1

DO NOT SCALE PRINT. UNLESS SPECIFIED DIMENSIONS IN INCHES TOLERANCES ON : 2 PLC DEC ± 3 PLC DEC ± .005 ANGLES ± 2°		DR 12-13-83 J.GERACE		AMP Incorporated Harrisburg, PA 17105-3608	
MATERIAL MOLDED PARTS: 2 SHELLS & BRACKETS: 3 CONTACTS: 4		CHK 12-13-83 J.GERACE			
FINISH SHELLS & BRACKETS: 6 CONTACTS: SEE TABLE		APPD 03-15-84 P.SWEIGARD		NAME PLUG ASSEMBLY, SIZE 3, 25 POSN, RIGHT ANGLE, .545 SERIES, .025 SQ. POSTS, AMPLIMITE™ HDP	
		APPD 03-15-84 J.ASSINI		SIZE C	
		PRODUCT SPEC		CAGE CODE 00779	
		APPLICATION SPEC		DRAWING NO C=745353	
		WEIGHT		SCALE	
				SHEET 1 OF 1	

THIS DRAWING IS A CONTROLLED DOCUMENT FOR AMP INCORPORATED. IT IS SUBJECT TO CHANGE AND THE CONTROLLING ENGINEERING ORGANIZATION SHOULD BE CONTACTED FOR THE LATEST REVISION.