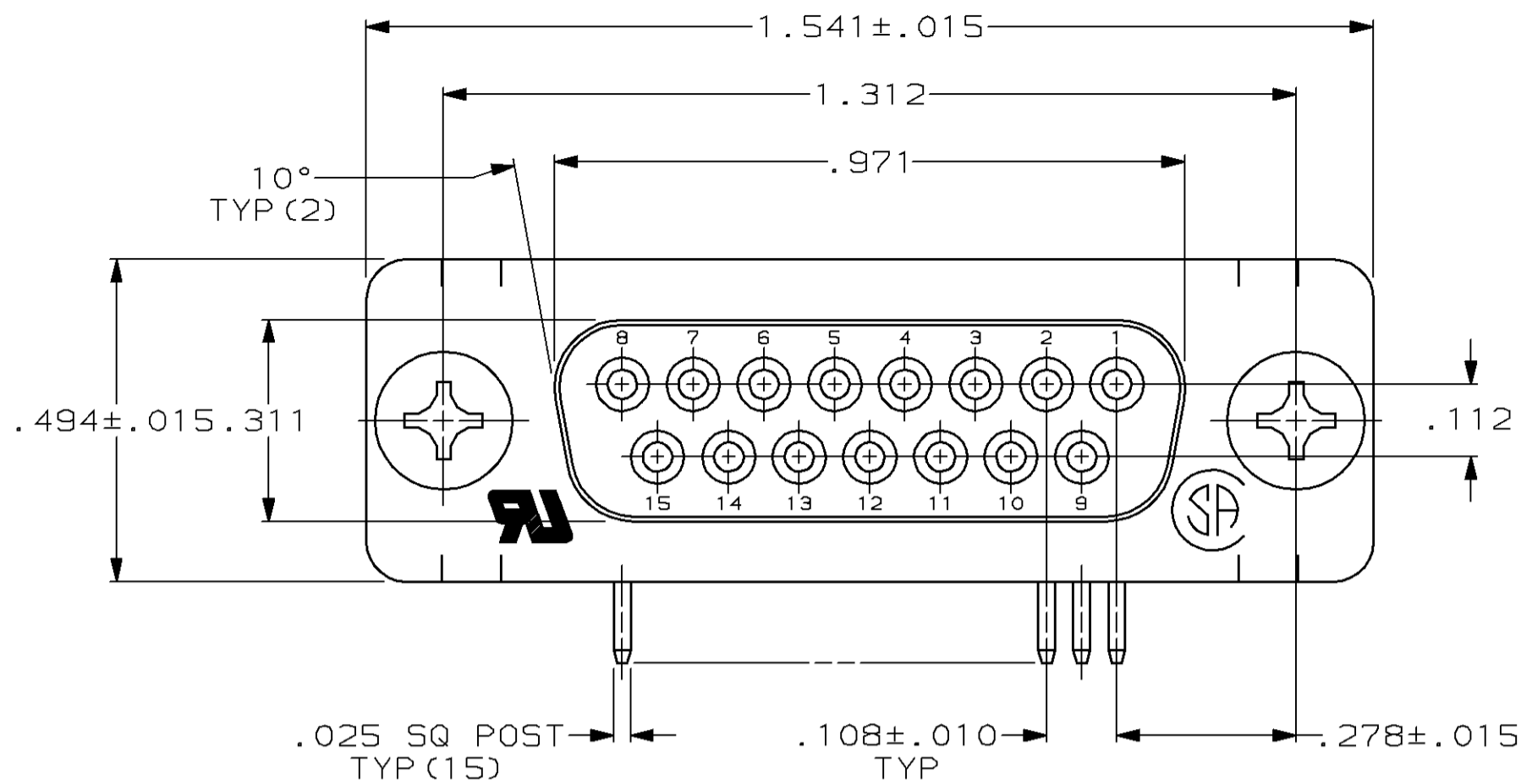
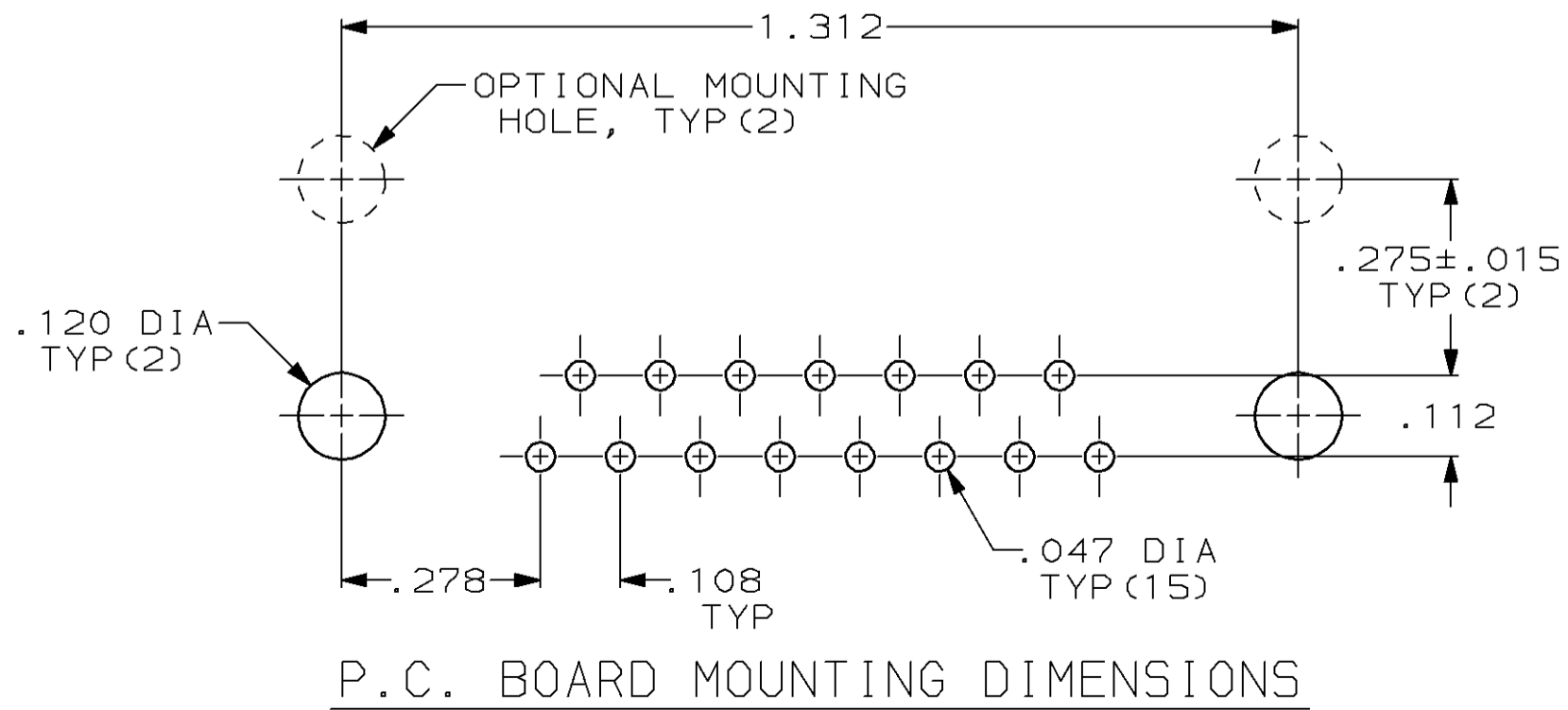
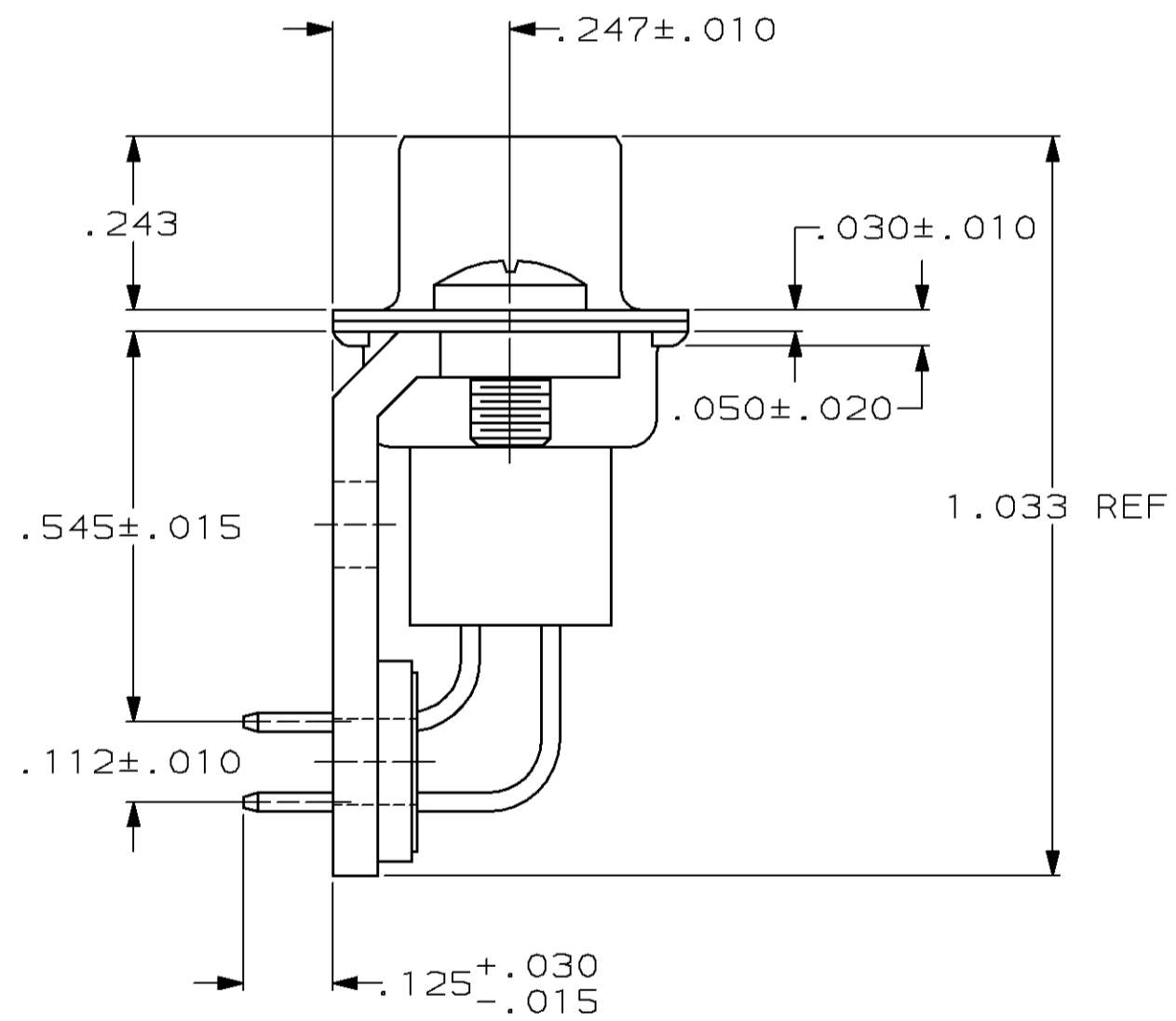
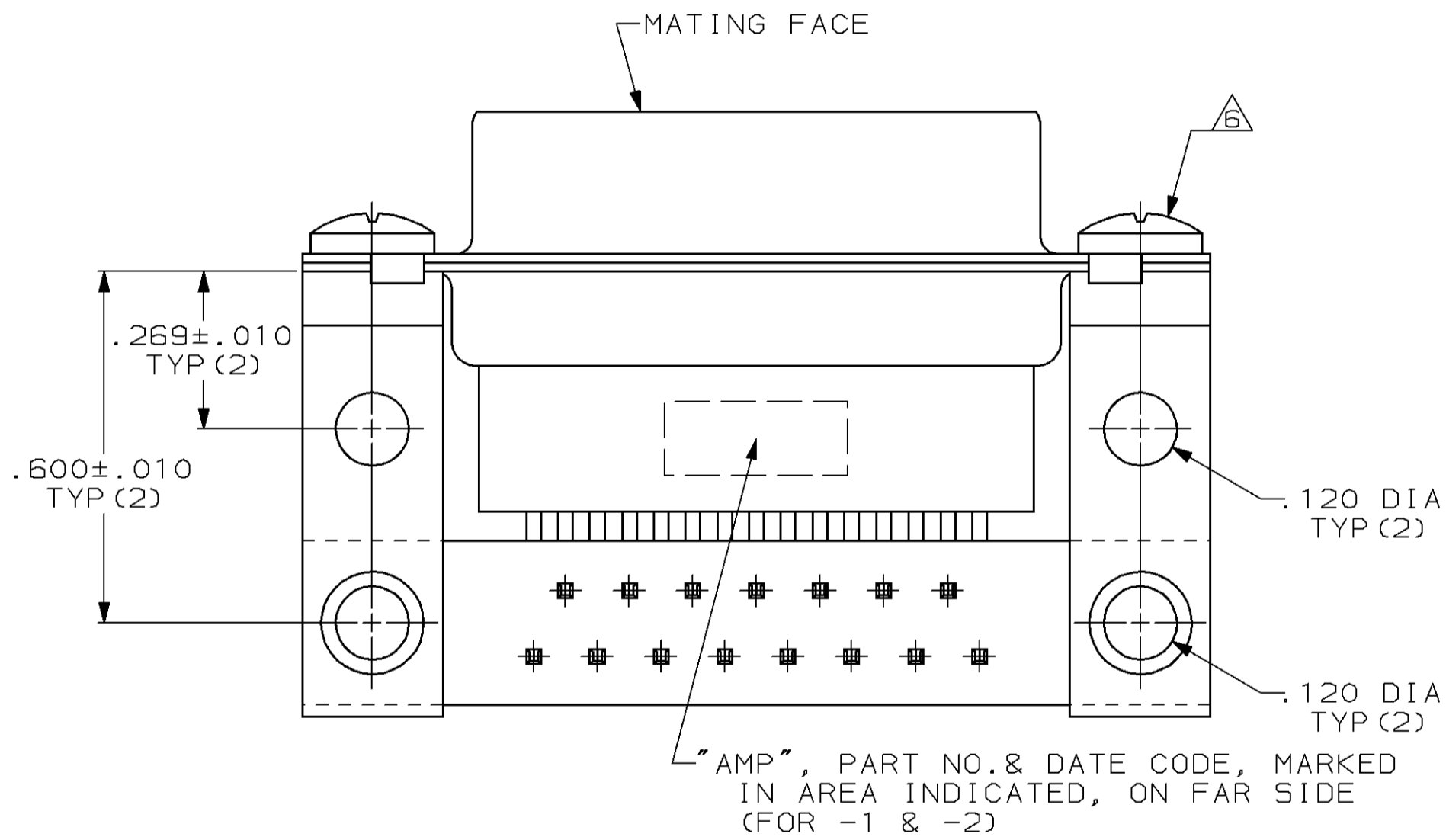


THIS DRAWING IS UNPUBLISHED. RELEASED FOR PUBLICATION
 BY AMP INCORPORATED. ALL RIGHTS RESERVED.

LOC		DIST		REVISIONS			
P	LTR	DESCRIPTION	DATE	DWN	APVD		
BD	77	E	9-5-89	-	-		
		F	27 FEB 97	DH	RT		



- 1 MOLDED PARTS: THERMOPLASTIC, BLACK, 94V-0 RATED. SHELLS & BRACKETS: STEEL PER ASTM A109. CONTACTS: PHOSPHOR BRONZE PER QQ-B-750.
- 2 SHELLS AND BRACKETS: TIN PLATED. CONTACTS: SEE TABLE.
- 3 GOLD FLASH FOR A LENGTH OF .100 MIN FROM MATING END, .000100 MIN TIN-LEAD ON OPPOSITE END, BOTH OVER .000050 MIN NICKEL.
- 4 .000030 MIN GOLD FOR A LENGTH OF .100 MIN FROM MATING END, .000100 MIN TIN-LEAD ON OPPOSITE END, BOTH OVER .000050 MIN NICKEL.
- 5 TIN PLATING PER MIL-T-10727, GOLD PLATING PER MIL-G-45204, NICKEL PLATING PER QQ-N-290.
- 6 SCREWS ARE FOR -1 & -2.
- 7. CONNECTOR MATES WITH ANY 15 POSITION PLUG IN AMPLIMITE SERIES AND COMPLIES WITH AMP 108-40,005 WHERE APPLICABLE.



OBSOLETE	4	745113-3
	4	745113-2
SUPSD BY 745113-2	3	745113-1
CONTACT FINISH		PART NUMBER

THIS DRAWING IS A CONTROLLED DOCUMENT.		DWN	12-23-83	AMP AMP Incorporated Harrisburg, PA 17105-3608	
DIMENSIONS: INCHES		CHK	12-23-83		
TOLERANCES UNLESS OTHERWISE SPECIFIED:		APVD	3-15-84		
0 PLC ± 1 PLC ± 2 PLC ± 3 PLC ±.005 4 PLC ± ANGLES ±2° FINISH		NAME	J. ASSINI		
MATERIAL		PRODUCT SPEC		NAME	RECEPTACLE ASSY, SIZE 2, 15 POSN, R/A, .545 SERIES, AMPLIMITE™ HDP
		APPLICATION SPEC		SIZE	A2
		WEIGHT	-	CAGE CODE	00779
		CUSTOMER DRAWING		DRAWING NO	C=745113
		SCALE	4:1	SHEET	1 OF 1
		REV	F		