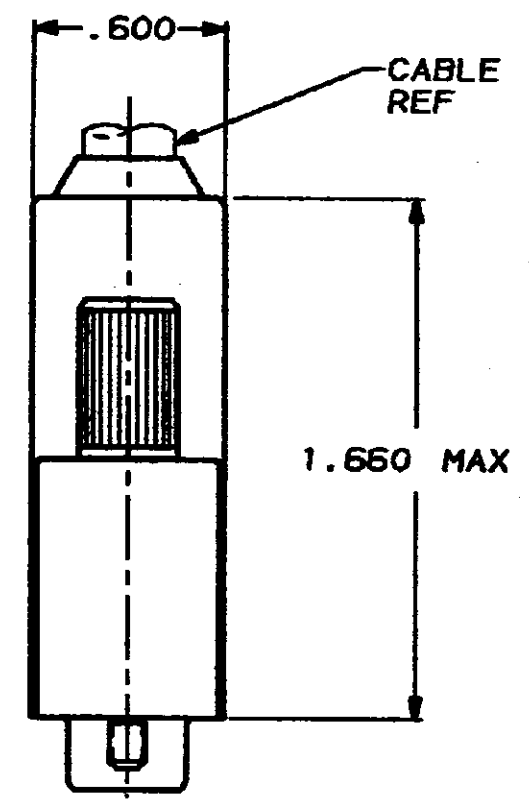
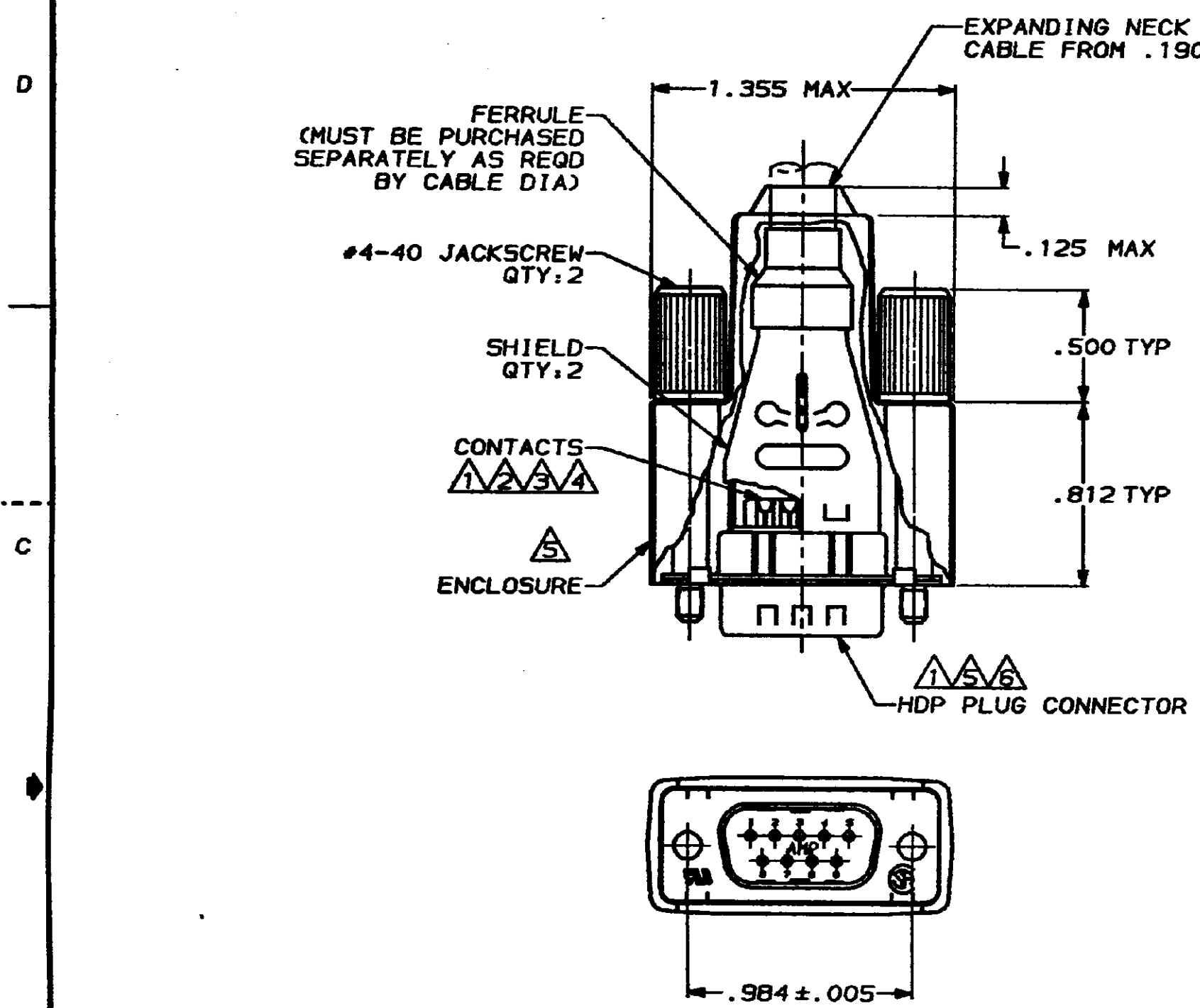


THIS DRAWING IS UNPUBLISHED. RELEASED FOR PUBLICATION .19
 © COPYRIGHT 19 BY AMP INCORPORATED. ALL INTERNATIONAL RIGHTS RESERVED.

NO	DATE	BY	DESCRIPTION	DATE	APPD
2	BD	39			
			REVISIONS		
			ZONE LTR		
			B REDRAWN	6-7-90	-
			C REV PER ECN BD4814	05/31/91	-
			D REV PER ECN BD5049	7-3-91	TMS
			E REVISED PER ECN BD6133	04/02/93	TMS



- ⚠️ PLUG CONNECTOR FULLY LOADED WITH CONTACTS. ALL OTHER PARTS ARE SHIPPED UNASSEMBLED, EACH PART INDIVIDUALLY BULK PACKED.
- ⚠️ PHOSPHOR BRONZE PER QQ-B-750.
- ⚠️ SOLDER CUP WILL ACCOMMODATE 20 AWG MAX WIRE.
- ⚠️ GOLD FLASH FOR LENGTH OF .150 MIN ON MATING END. .000150-.000300 TIN LEAD ON SOLDER END, ALL OVER .000030 NICKEL ON ENTIRE CONTACT.
- ⚠️ FLAME RETARDANT 94V-0 RATED THERMOPLASTIC, BLACK.
- ⚠️ STEEL PER ASTM A109.
- ⚠️ TIN PLATING PER MIL-T-10727.
- ⚠️ ZINC PLATING PER ASTM B633, TYPE II, CLASS SCI, BLACK CHROMATE.

⚠️	748046-1
CONTACT FINISH	PART NUMBER

DO NOT SCALE PRINT. UNLESS SPECIFIED DIMENSIONS IN INCHES TOLERANCES ON: 2 PLC DEC ± - 3 PLC DEC ± .020 ANGLES ± -	DR 6-7-90 J GALLUCCI BG	AMP AMP INCORPORATED Harrisburg, Pa. 17105	
	CHK 8-31-90 J. McCLINTON		
MATERIAL CONTACTS, ⚠️ MOLDED PARTS, ⚠️ SHELLS & SHIELDS, ⚠️ JACKSCREWS, ZINC ALLOY ⚠️	APPD 9-4-90 BOB TAYLOR	NAME	
	APPD 9-4-90 J. ASSINI	BULK KIT, PLUG, AMPLIMITE™, SOLDER CUP, SHIELDING ENCLOSURE, 9 POSN, SIZE 1, HDP-20	
FINISH CONTACTS, SEE TABLE SHELLS & SHIELDS, ⚠️ JACKSCREWS, ⚠️	PRODUCT SPEC -	SIZE C	FSCN NO 00779
	APPLICATION SPEC -	SCALE 2:1	DRAWING NO 748046
	WEIGHT -		SHEET 1 OF 1