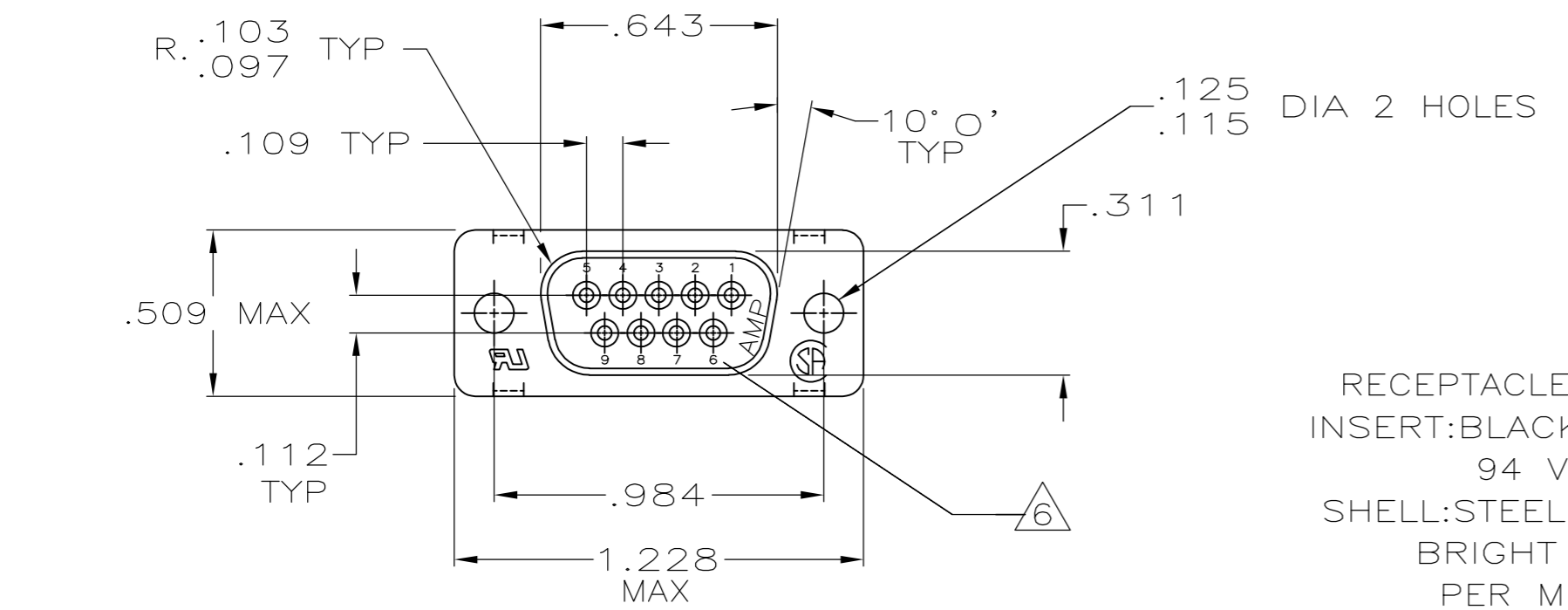
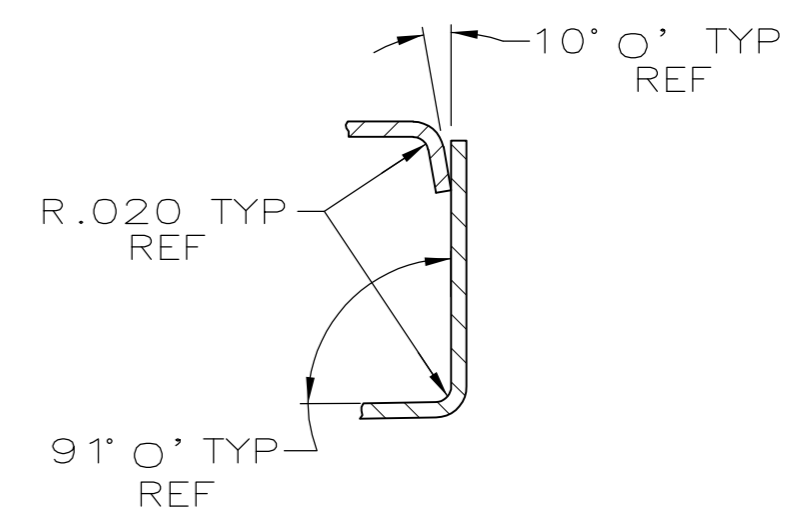


THIS DRAWING IS UNPUBLISHED. RELEASED FOR PUBLICATION
 © COPYRIGHT BY TYCO ELECTRONICS CORPORATION. ALL RIGHTS RESERVED.

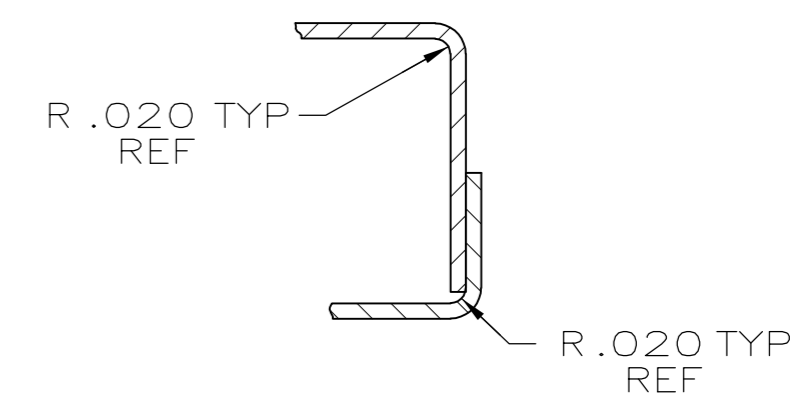
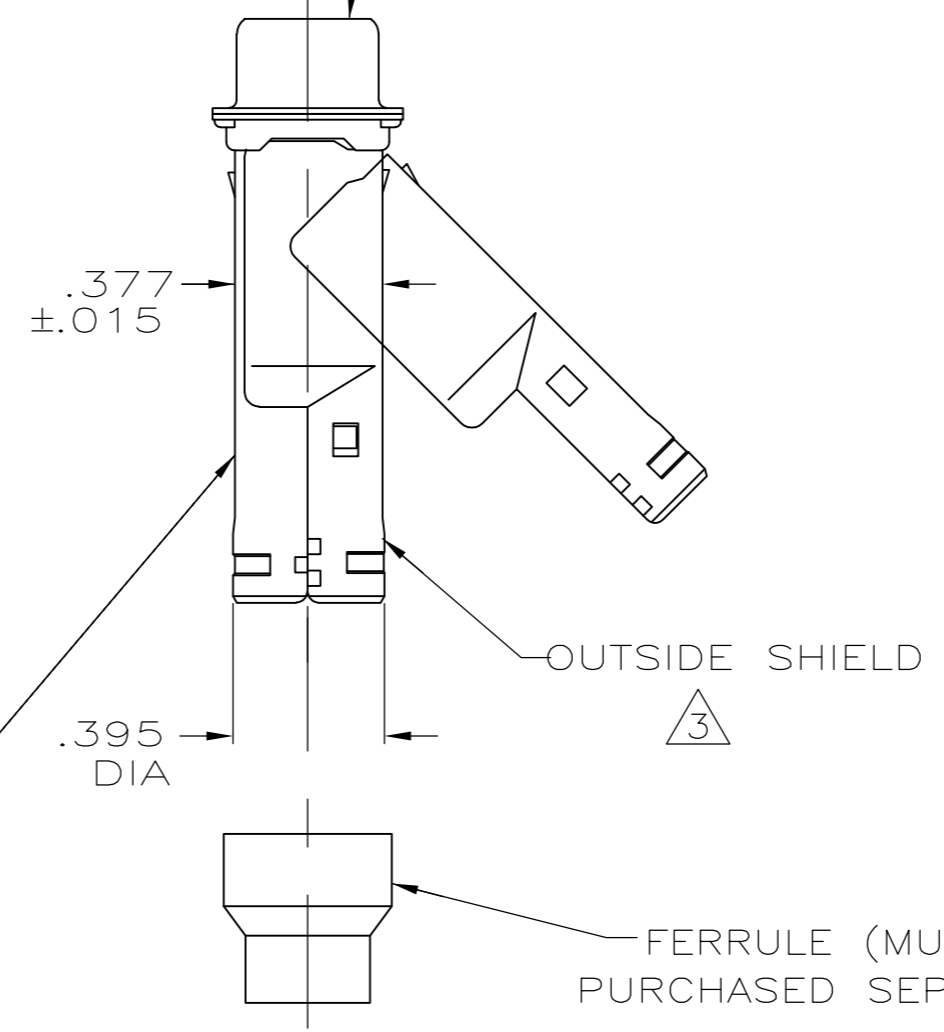
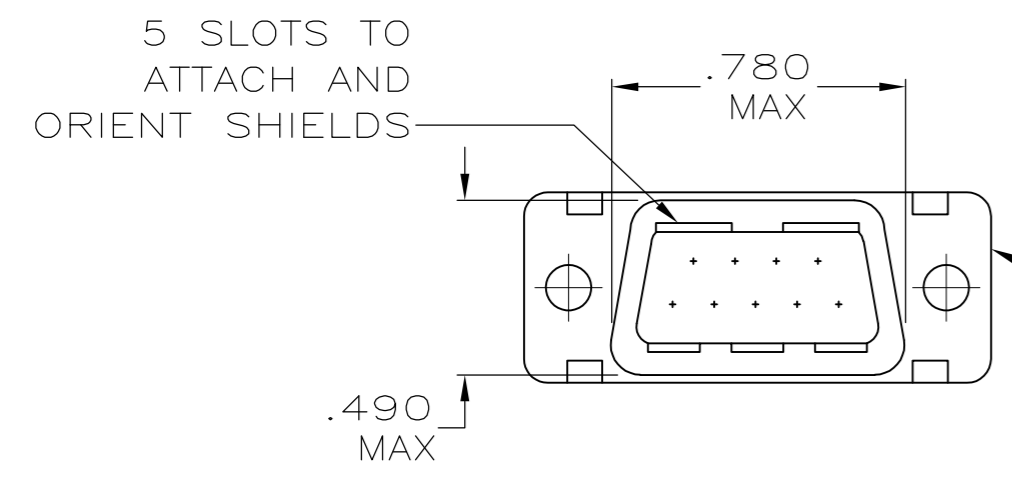
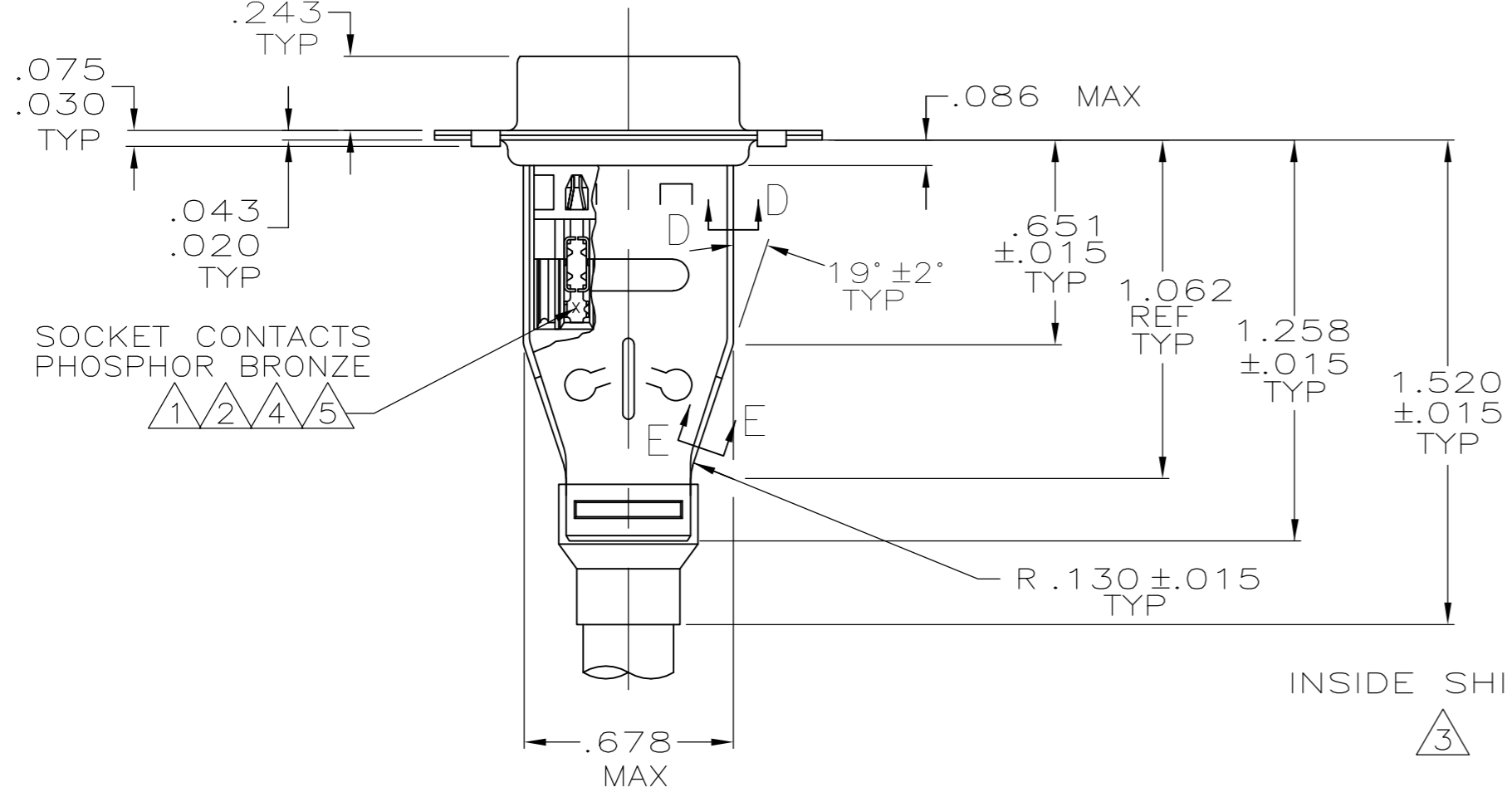
| LOC | DIST | REVISIONS | | | | | |
|-----|------|-----------|-----|---------------------------|---------|-----|------|
| GP | 00 | P | LTR | DESCRIPTION | DATE | DWN | APVD |
| | | G3 | | REVISED PER ECO-07-008164 | 10AUG07 | JDP | CWR |



RECEPTACLE CONNECTOR ¹
 INSERT:BLACK THERMOPLASTIC
 94 V-0 RATED
 SHELL:STEEL PER ASTM A109
 BRIGHT TIN PLATED
 PER MIL-T-10727



SECTION D-D



SECTION E-E

- ¹ RECEPTACLE CONNECTOR FULLY LOADED WITH CONTACTS. ALL OTHER PARTS SHIPPED UNASSEMBLED (EACH PART INDIVIDUALLY BULK PACKED).
- ² NUMBER ON CONTACT INDICATES WIRE RANGE.
- ³ SHIELDS: MATERIAL-.020 THICK STEEL, TIN PLATED.
- ⁴ CONTACTS PLATED .000030 GOLD ON MATING END FOR .100 MIN LENGTH. .000100-.000200 BRIGHT TIN OR BRIGHT TIN-LEAD IN WIRE TERMINATION AREA. .000050 NICKEL UNDERPLATE ON ENTIRE CONTACT.
- ⁵ CONTACTS PLATED WITH GOLD FLASH ON MATING END FOR .100 MIN LENGTH. .000100-.000200 BRIGHT TIN OR BRIGHT TIN-LEAD IN WIRE TERMINATION AREA. .000030 NICKEL UNDERPLATE ON ENTIRE CONTACT.
- ⁶ RAISED CAVITY IDENTIFICATION AND AMP TRADEMARK.
- ⁷ CONTACTS PLATED .000030 GOLD ON MATING END FOR .100 MIN LENGTH. .000100-.000200 MATTE TIN IN WIRE TERMINATION AREA. .000050 NICKEL UNDERPLATE ON ENTIRE CONTACT.
- ⁸ CONTACTS PLATED WITH GOLD FLASH ON MATING END FOR .100 MIN LENGTH. .000100-.000200 MATTE TIN IN WIRE TERMINATION AREA. .000030 MIN NICKEL UNDERPLATE ON ENTIRE CONTACT.

| | | | |
|----------------|--------------|------------|-------------|
| ⁸ | 2 | #22-26 | 747516-9 |
| ⁷ | 3 | #20-22 | 747516-8 |
| ⁷ | 2 | #22-26 | 747516-7 |
| ⁵ | 3 | #20-22 | 747516-6 |
| ⁵ | 2 | #22-26 | 747516-5 |
| ⁴ | 1 | #26-30 | 747516-4 |
| ⁴ | 3 | #20-22 | 747516-3 |
| ⁴ | 2 | #22-26 | 747516-2 |
| ⁴ | 1 | #26-30 | 747516-1 |
| CONTACT FINISH | ² | WIRE RANGE | PART NUMBER |

SUPERSEDED BY 747943-1

THIS DRAWING IS A CONTROLLED DOCUMENT.

| | | | | |
|-----------------------|--|--------------------------------|--|-----------------|
| DIMENSIONS: INCHES | TOLERANCES UNLESS OTHERWISE SPECIFIED: | DWN L. VARELA - DOCK5 11-16-04 | Tyco Electronics Corporation Harrisburg, PA 17105-3608 | |
| | 0 PLC ± - | CHK J. GERACE 11-16-04 | NAME M. WALMSLEY | |
| | 1 PLC ± - | APVD M. WALMSLEY 11-16-04 | PRODUCT SPEC 108-40030 | |
| | 2 PLC ± - | APPLICATION SPEC 114-40002 | SIZE A2 | CAGE CODE 00779 |
| | 3 PLC ± .005 | WEIGHT - | DRAWING NO C=747516 | RESTRICTED TO - |
| MATERIAL SEE CALL OUT | FINISH SEE CALL OUT | CUSTOMER DRAWING | SCALE 2:1 | SHEET 1 of 1 |
| | | | REV G3 | |