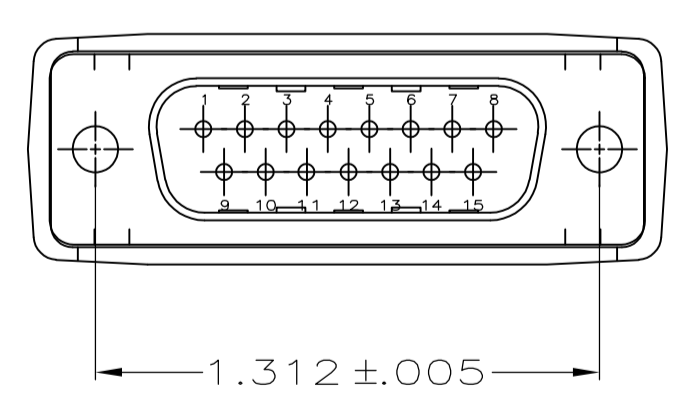
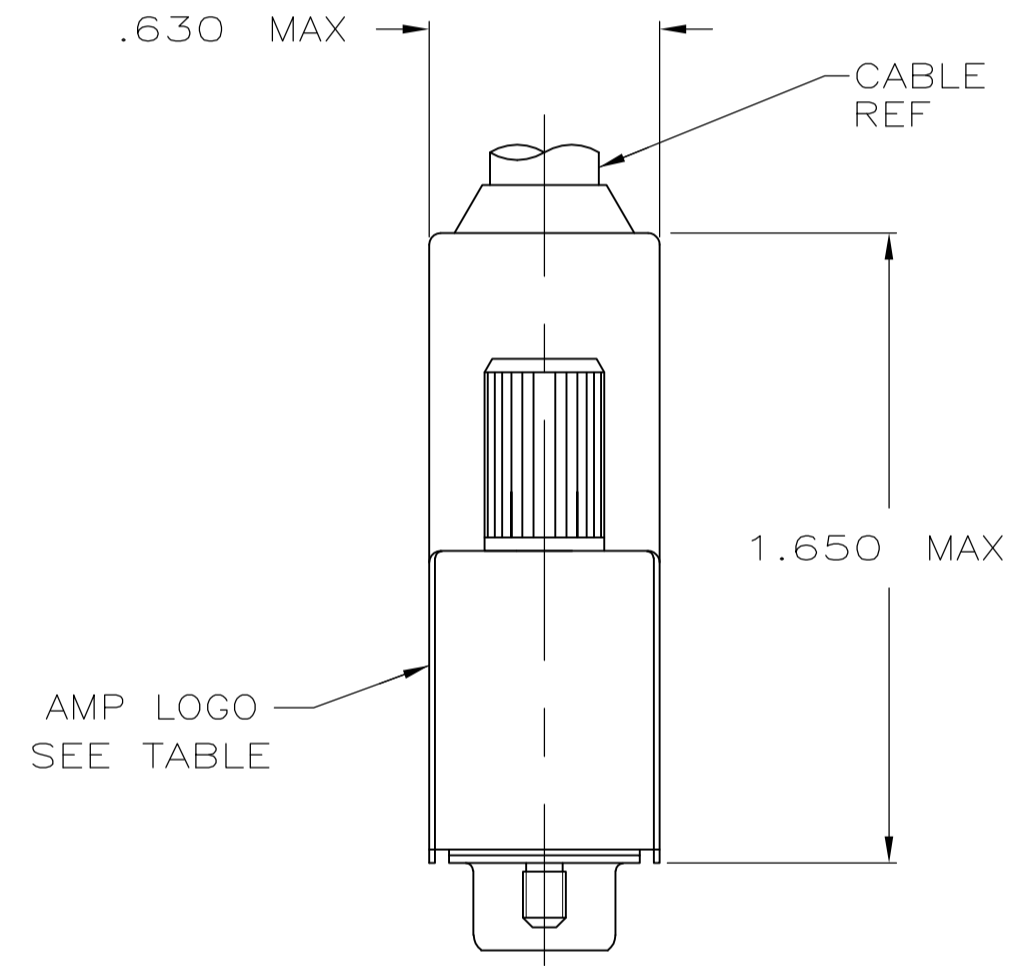
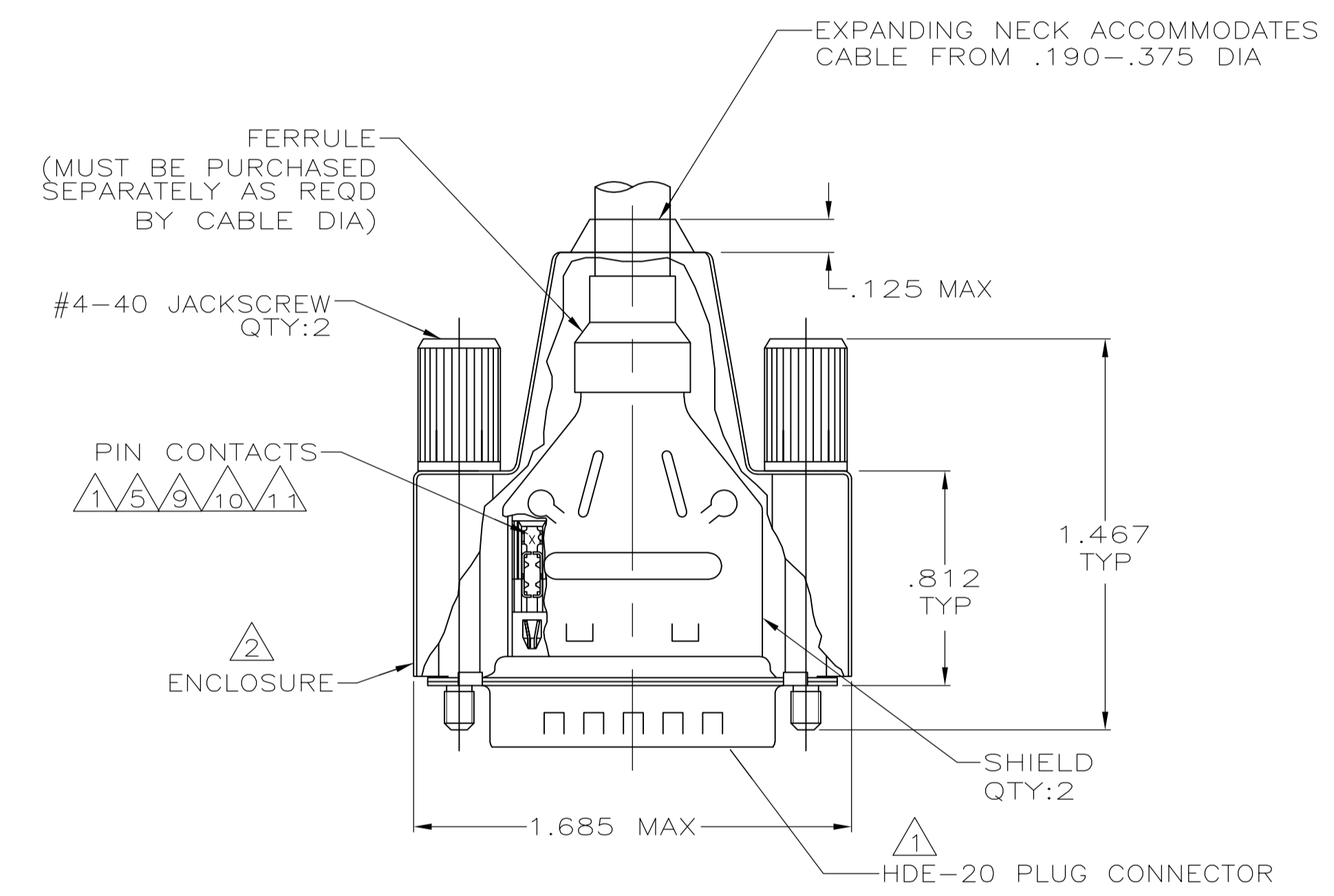


- ① PLUG CONNECTOR FULLY LOADED WITH CONTACTS, UNLESS OTHERWISE NOTED. ALL OTHER PARTS ARE SHIPPED UNASSEMBLED. EACH PART INDIVIDUALLY BULK PACKED.
- ② FLAME RETARDANT 94V-0 RATED, POLYOLEFIN OR PVC, BLACK.
- ③ INSERT: FLAME RETARDANT 94V-0 RATED, GLASS-FILLED, NYLON OR POLYESTER, BLACK.
- ④ SHELLS & SHIELDS: STEEL PER ASTM A109.
- ⑤ CONTACTS: PHOSPHOR BRONZE PER QQ-B-750.
- ⑥ GOLD PLATING PER MIL-G-45204, NICKEL PLATING PER QQ-N-290, TIN PLATING PER MIL-T-10727, ZINC PLATING PER B633, TYPE II, CLASS SCI, BLACK CHROMATE.
- ⑦ SHELLS & SHIELDS: TIN PLATED.
- ⑧ JACKSCREWS: ZINC PHOSPHATE COATING, BLACK.
- ⑨ GOLD PLATED FOR LENGTH OF .150 MIN FROM MATING END, GOLD FLASH IN MATED AREA. .000100-.000200 TIN OR IN TIN-LEAD IN WIRE TERMINATION AREA. .000030 NICKEL UNDERPLATE ON ENTIRE CONTACT.
- ⑩ CONTACTS GOLD PLATED FOR A LENGTH OF .150 MIN FROM MATING END, .000030 MIN GOLD IN MATED AREA, .000100-.000200 BRIGHT TIN OR BRIGHT TIN-LEAD IN WIRE TERMINATION AREA, ALL OVER .000050 MIN NICKEL UNDERPLATE ON ENTIRE CONTACT.  
 OR  
 CONTACTS GOLD PLATED FOR A LENGTH OF .150 MIN FROM MATING END, GOLD FLASH OVER .000030 MIN PALLADIUM-NICKEL IN MATED AREA, .000100-.000200 BRIGHT TIN OR BRIGHT TIN-LEAD IN WIRE TERMINATION AREA, ALL OVER .000050 MIN NICKEL UNDERPLATE ON ENTIRE CONTACT.
- ⑪ NUMBER ON CONTACT INDICATES WIRE RANGE.
- ⑫ OBSOLETE PART NUMBER.
- ⑬ JACKSCREWS: ZINC ALLOY.
- ⑭ CONTACTS SELECTIVELY LOADED IN POSITIONS 2,3,5,6,9,10,12, & 13.
- ⑮ CONTACTS GOLD PLATED FOR A LENGTH OF .150 MIN FROM MATING END, .000030 MIN GOLD IN MATED AREA, .000100-.000200 MATTE TIN IN WIRE TERMINATION AREA, ALL OVER .000050 MIN NICKEL UNDERPLATE ON ENTIRE CONTACT.  
 OR  
 CONTACTS GOLD PLATED FOR A LENGTH OF .150 MIN FROM MATING END, GOLD FLASH OVER PALLADIUM-NICKEL, .000030 MIN TOTAL IN MATED AREA, .000100-.000200 MATTE TIN IN WIRE TERMINATION AREA, ALL OVER .000050 MIN NICKEL UNDERPLATE ON ENTIRE CONTACT.
- ⑯ CONTACTS PLATED GOLD FLASH FOR A LENGTH OF .150 MIN FROM MATING END, .000100-.000200 MATTE TIN IN WIRE TERMINATION AREA, ALL OVER .000030 MIN NICKEL UNDERPLATE ON ENTIRE CONTACT.



				⑫	9-747946-1
⑬	YES	2	22-26	⑫	1-747946-6
⑮	YES	2	22-26	⑫	1-747946-5
⑨	YES	2	22-26	⑭ ⑫	1-747946-4
⑨	NO	3	20-22	⑫	1-747946-2
	NO	2	22-26	⑫	1-747946-1
	NO	1	26-30	⑫	1-747946-0
⑩	NO	3	20-22	⑫	747946-9
	NO	2	22-26	⑫	747946-8
	NO	1	26-30	⑫	747946-7
⑨	YES	3	20-22	⑫	747946-6
	YES	2	22-26	⑫	747946-5
	YES	1	26-30	⑫	747946-4
⑩	YES	3	20-22	⑫	747946-3
	YES	2	22-26	⑫	747946-2
	YES	1	26-30	⑫	747946-1
CONTACT FINISH	LOGO	⑪	WIRE RANGE	PART NUMBER	

THIS DRAWING IS A CONTROLLED DOCUMENT.

DIMENSIONS: INCHES	TOLERANCES UNLESS OTHERWISE SPECIFIED:	0 PLC ± -	1 PLC ± -	2 PLC ± -	3 PLC ± .020	4 PLC ± -	ANGLES ± -
--------------------	--	-----------	-----------	-----------	--------------	-----------	------------

MATERIAL: ③ ④ ⑤ ⑬

FINISH: ⑦ ⑧ ⑩

CONTACTS: SEE TABLE

THIS DRAWING IS A CONTROLLED DOCUMENT.

DIN	L. VAREAL	11-17-04	Tyco Electronics Corporation Harrisburg, PA 17105-3608
CHK	J. GERACE	11-17-04	
APPD	M. WALMSLEY	11-17-04	NAME: SHIELDING ENCLOSURE KIT, PLUG, SIZE 2, 15 POSN, AMPLIMITE HDE-20
PRODUCT SPEC	108-40011 & 108-40030	APPLICATION SPEC	
SIZE	114-40002	CAGE CODE	00779
DRAWING NO	747946	RESTRICTED TO	

SCALE: 1:1 SHEET 1 OF 1 REV W