

NUMBER C-174683



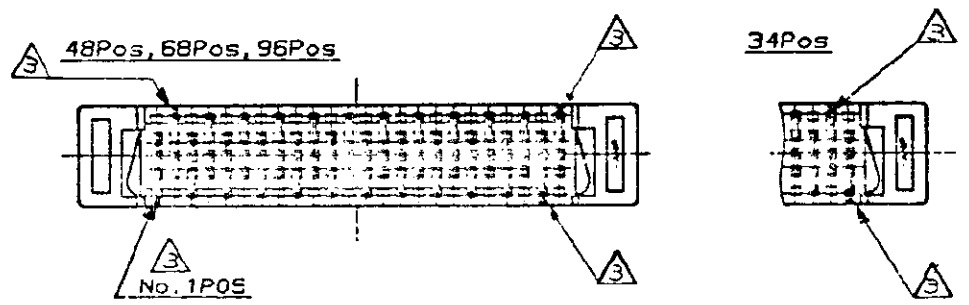
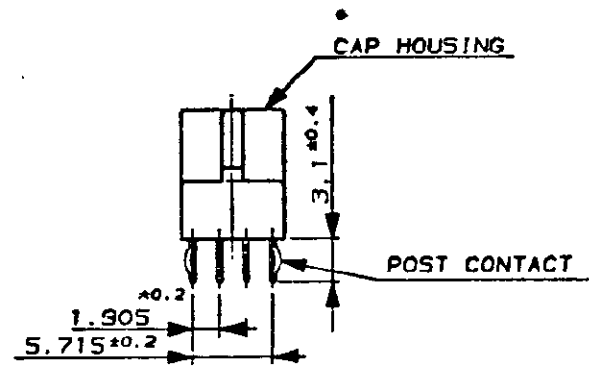
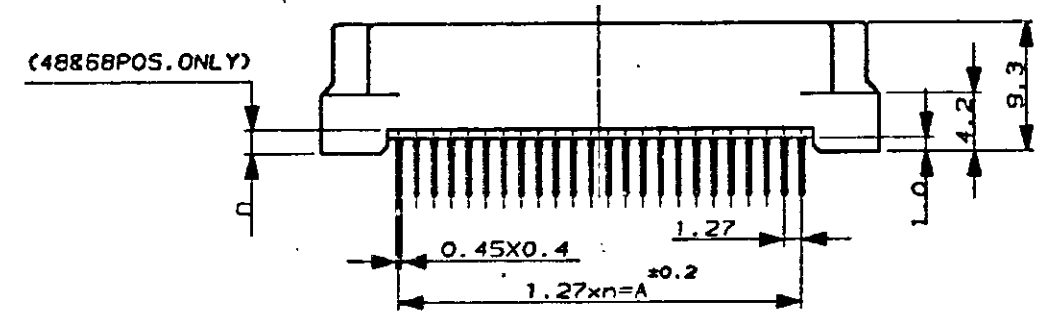
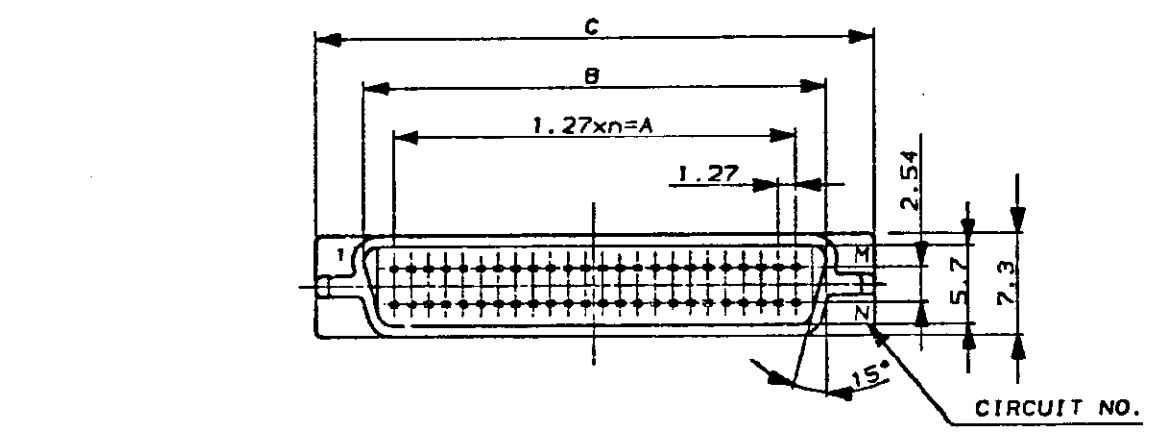
METRIC

APR 3 '81

DIMENSIONS IN MILLIMETERS. DO NOT SCALE PRINT

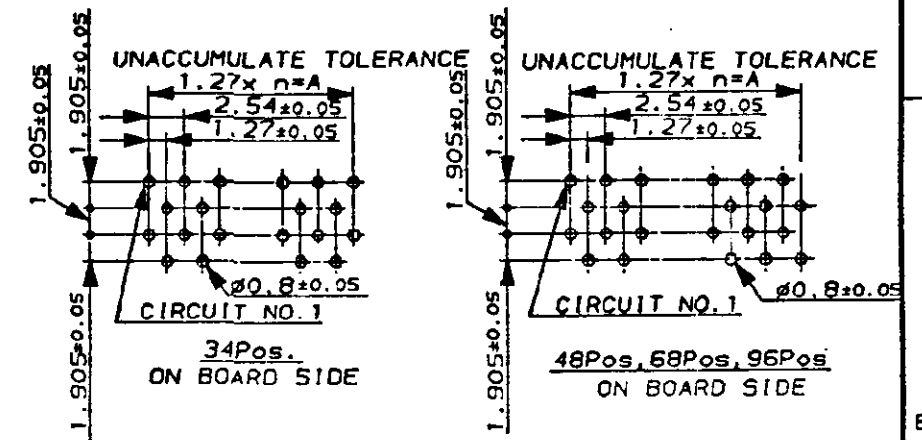
PRINT DIST

AMP-J  
REV. 10/83



NOTES

- 1 MATERIAL AND FINISH
  - CAP HOUSING
    - , THERMOPLASTIC (UL94V-0) COLOR: BLACK
  - POST CONTACT
    - , PHOS-BRONZE FINISH: OVER NICKEL
    - MATING END: 0.0002 MIN. OR 0.00076 MIN. GOLD.
    - TERMINATION END: TIN-LEAD OVER SEALING TREATMENT.
- 2 P.C.B LAYOUT AND P.C.B TREATMENT (REF.)
  - USE A P.C.B SURFACE ARE TREATED WITH SOLDER RESIST.



3 KINK POSITIONS (4 POSITIONS)

Au Pl. 0.00076 MIN.	96	48	59.69	64.06	71.00	—	47	96	5-174683-8
	68	34	41.91	46.28	53.22	1.7	33	68	6-174683-7
	48	24	29.21	33.58	40.52	1.7	23	48	6-174683-6
	34	17	20.32	24.69	31.63	—	16	34	6-174683-5
Au Pl. 0.0002 MIN.	96	48	59.69	64.06	71.00	—	47	96	174683-8
	68	34	41.91	46.28	53.22	1.7	33	68	174683-7
	48	24	29.21	33.58	40.52	1.7	23	48	174683-6
	34	17	20.32	24.69	31.63	—	16	34	174683-5
REMARK	N	M	A	B	C	D	n	POS.	PART NO.
	CIRCUIT NO.		DIMENSION						

LTR				REVISION RECORD	DR	CHK	DATE	WIRE RANGE		INSULATION DIA	NAME			
B	REVISED	ECN: J-13147	Yo.S	RN	3/29	87		MATERIAL	FINISH	CAP ASS'Y VERTICAL (W/KINK)				
A	ADD Au 0.76 um	ECN: J-10268	Yo.S	1/17	87			DR. Yo. SATO		FOR AMPLITE 050 SERIES I B-TO-B CONN.				
O	ECN: J-10187		Yo.S	3/21	88			DR. RAISHIJIWA		GENERAL TOLERANCE	SIZE	LOC	NUMBER	
								DR. 12/23/87 DE.		0<= 10 : ±0.2	A3	J	C-174683	
								APP. 1/23/88		10<= 30 : ±0.25	SCALE		REV. B	SHEET 10F1
								APP. 1/23/88		30<= 100 : ±0.3	2-1			
								APP. 1/23/88		ANGLES : ±3°				

**AMP** AMP (JAPAN), LTD. Tokyo, Japan

CUSTOMER DRAWING