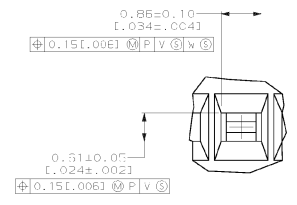
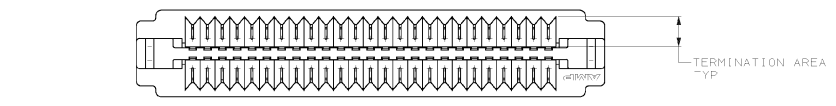
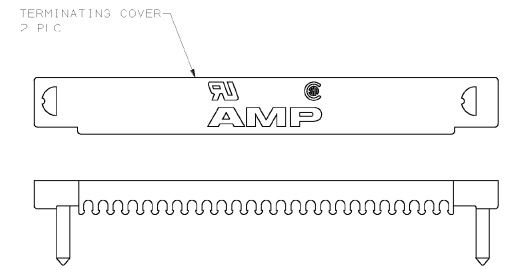
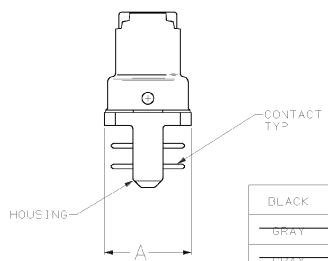
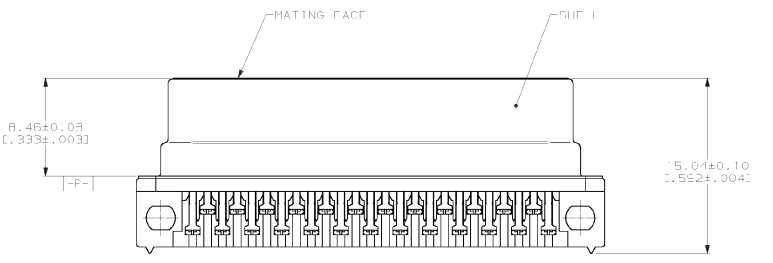
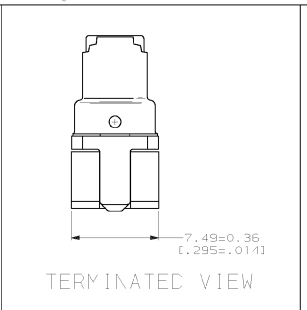
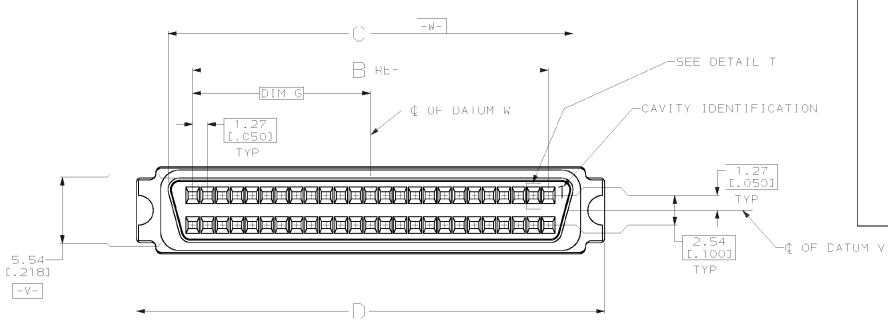


REVISED PER		DESCRIPTION	DATE	APP'D
J	REVISED PER EC 05 3-0011-03			JG



DETAIL T
SCALE 20:1
TYPICAL

- △ CONTACTS: PHOSPHOR BRONZE.
- SHIELD: CARBON STEEL
- HOUSING: POLYESTER, BLACK, UL 94V-0 RATED.
- TERMINATING COVERS: POLYESTER, UL 94V-0 RATED, COLOR: SEE TABLE.
- △ 0.76µm (0.00030) MIN GOLD FOR A LENGTH OF 0.64 (0.025) MIN, 0.13 (0.005) MAX FROM MATING END, 1.27µm (0.00050) MIN TIN-LEAD IN TERMINATION AREA, BOTH OVER 1.27µm (0.00050) MIN NICKEL.
- △ 5.08µm (0.000200) MIN NICKEL OVER 1.27µm (0.00050) MIN COPPER.
- △ RECOMMENDED WIRE: 30 AWG - 28 AWG, SEE TABLE FOR INSULATION DIA. WIRE MUST BE APPROVED BY AMP ENGINEERING.
- 5. COVERS PACKAGED SEPARATE FROM CONNECTORS IN SAME SHIPPING CONTAINER.
- △ OBSOLETE PART NUMBER.
- △ 0.76µm (0.00030) MIN GOLD FOR A LENGTH OF 0.64 (0.025) MIN, 0.13 (0.005) MAX FROM MATING END, 3.00µm (0.00100) MIN TIN IN TERMINATION AREA, BOTH OVER 1.27µm (0.00050) MIN NICKEL.

BLACK	△	0.81-0.91 D/A [0.032-.036]	20.96 [0.825]	51.54 [2.029]	46.13 [1.816]	41.91 [1.650]	7.39 [0.291]	68	2-786860-0
GRAY	△	0.74-0.79 D/A [0.029-.031]	31.12 [1.225]	71.86 [2.829]	66.45 [2.616]	52.23 [2.450]	9.42 [0.371]	100	△ 1-786860-9
GRAY	△	0.74-0.79 D/A [0.029-.031]	20.96 [0.825]	51.54 [2.029]	46.13 [1.816]	41.91 [1.650]	7.39 [0.291]	68	△ 1-786860-7
GRAY	△	0.74-0.79 D/A [0.029-.031]	15.24 [0.600]	40.11 [1.579]	34.70 [1.366]	30.48 [1.200]	7.39 [0.291]	50	△ 1-786860-5
GRAY	△	0.74-0.79 D/A [0.029-.031]	12.06 [0.475]	33.76 [1.329]	28.35 [1.116]	24.13 [0.950]	7.39 [0.291]	46	△ 1-786860-4
GRAY	△	0.74-0.79 D/A [0.029-.031]	7.62 [0.300]	24.87 [0.979]	19.46 [0.766]	15.24 [0.600]	7.39 [0.291]	28	△ 1-786860-2
BLACK	△	0.81-0.91 D/A [0.032-.036]	31.12 [1.225]	71.86 [2.829]	66.45 [2.616]	52.23 [2.450]	9.42 [0.371]	100	△ 786860-9
BLACK	△	0.81-0.91 D/A [0.032-.036]	20.96 [0.825]	51.54 [2.029]	46.13 [1.816]	41.91 [1.650]	7.39 [0.291]	68	786860-7
BLACK	△	0.81-0.91 D/A [0.032-.036]	15.24 [0.600]	40.11 [1.579]	34.70 [1.366]	30.48 [1.200]	7.39 [0.291]	50	△ 786860-5
BLACK	△	0.81-0.91 D/A [0.032-.036]	12.06 [0.475]	33.76 [1.329]	28.35 [1.116]	24.13 [0.950]	7.39 [0.291]	46	△ 786860-4
BLACK	△	0.81-0.91 D/A [0.032-.036]	7.62 [0.300]	24.87 [0.979]	19.46 [0.766]	15.24 [0.600]	7.39 [0.291]	28	△ 786860-2
TERMINATING COV. OR	CONTACT FINISH	WIRE OUTER DIA	G	D	C	B	A	NO OF POSN	PAR. NO

DO NOT SCALE PRINT. UNLESS SPECIFIED DIMENSIONS IN MM (INCHES): TOLERANCES ON 12 P.L. DEC ± 0.1 (0.005) 3 P.L. DEC ± 0.1 (0.005) ANGLES

DR 04/27/83
C. OBERMAN
CHC 5-10-83
R. STONE
APP'D 5-10-83
J. ASSENI

RATURAL

FINISH CONTACTS: SEE TABLE SHELL: △

APPLICATION SPEC 114-40029

WEIGHT

AMP AMP Incorporated Harrisburg, PA 17105-3006

NAME: RECEPTACLE CABLE CONNECTOR (1), UNARMED, WITH TERMINATING COVER, .050 SERIES, AMPLIMITE

SIZE: 00779
SCALE: 5:1

CARE CODE: 00779
DRAWING NO: 786860
SHEET: 1 OF 1