

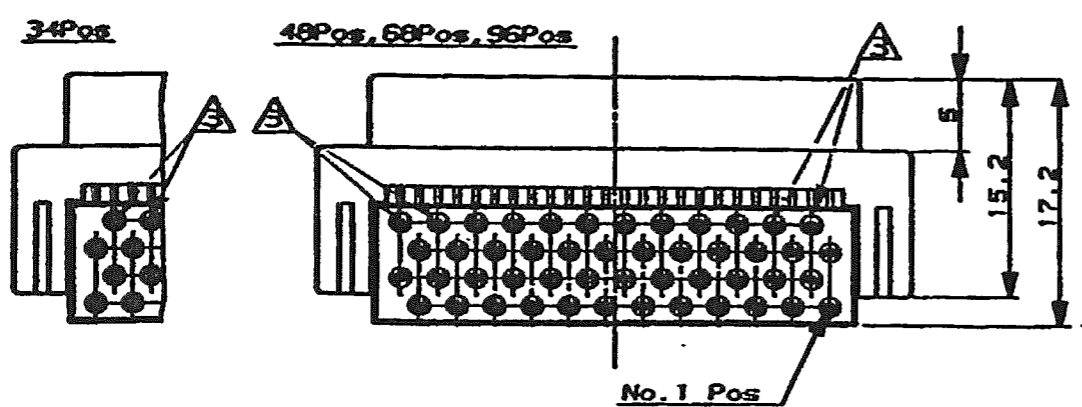
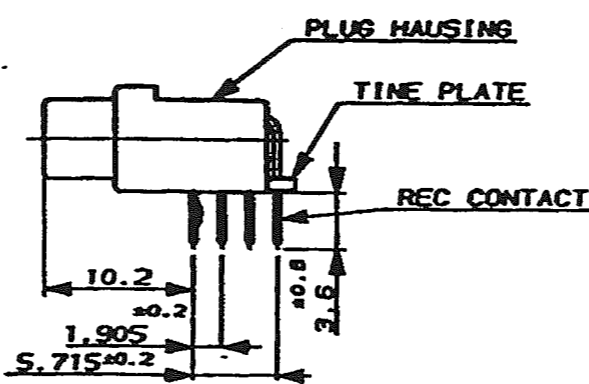
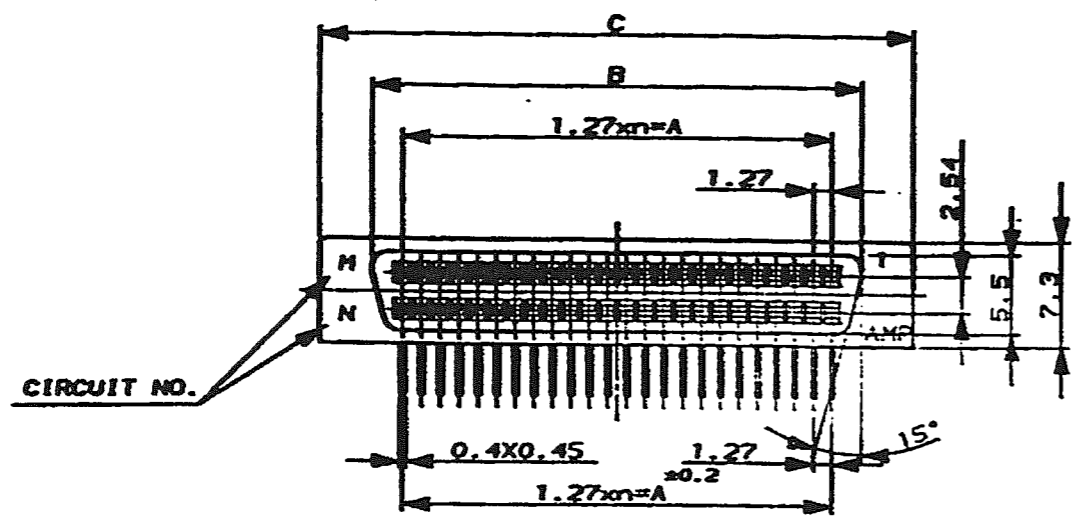
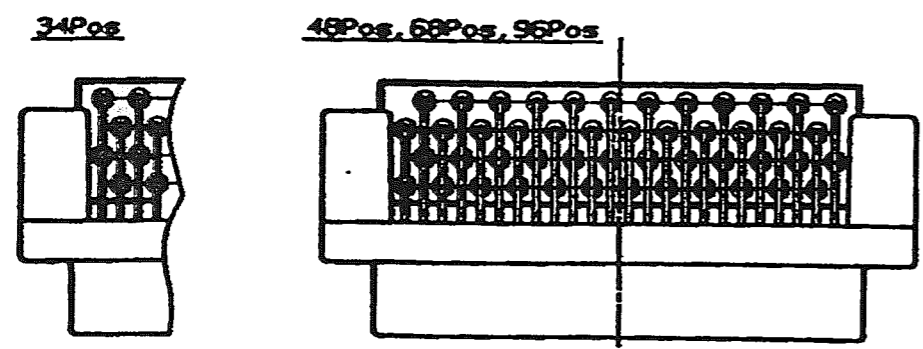
NUMBER C-174682



METRIC

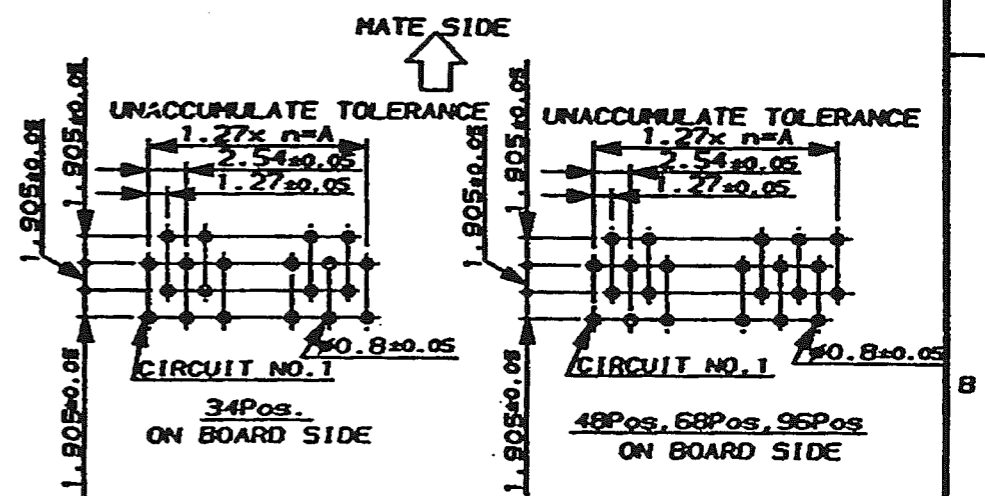
DIMENSIONS IN MILLIMETERS. DO NOT SCALE PRINT

PRINT DIST



NOTES;

- 1 MATERIAL AND FINISH
 PLUG HOUSING AND TIME PLATE
 , THERMOPLASTIC (UL94V-0) COLOR: BLACK
 REC. CONTACT
 , PHOS-BRONZE FINISH: OVER NICKEL
 MATING END: 0.0002 MIN. DR
 0.00076 MIN. GOLD
 TERMINATION END: TIN-LEAD
 OVER SEALING TREATMENT.
- 2 P.C.B LAYOUT AND P.C.B TREATMENT (REF.)
 USE A P.C.B SURFACE ARE TREATED WITH SOLDER RESIST.



△ KINK POSITIONS (4 POSITIONS)

AU PL. 0.00076 MIN.	06	48	69-69	63-96	41-20	47	96	6-174682-8
	68	34	47-47	45-28	52-22	33	68	6-174682-7
	48	24	29-21	33-38	40-52	23	48	6-174682-6
AU PL. 0.0002 MIN.	34	17	20-32	24-29	31-63	75	34	6-174682-5
	06	48	69-69	63-96	21-00	42	96	174682-8
	68	34	47-47	45-28	52-22	33	68	174682-7
REMARK	CIRCUIT NO.	DIMENSION	n	POS.	PART NO.			

D REVISED FJBD-0789-03 T.T.H.M. 10/23/03		WIRE RANGE		INSULATION DIA.		NAME	
C REVISED ECNJ-B447 Y.S.RN 3/4/94		MATERIAL		FINISH		tyco Tyco Electronics AMP K.K. Kawasaki, Japan	
B 7-8, 6-7, 6-5, 3-4, 1 AND ECNJ-1-10368 Y.S.RN 3/29/94		DR. Yo. SATO 12/23/07		DE.		PLUG ASS'Y HORIZONTAL (W/KINK) FOR ANPLITE OSO SERIES I B-TD-B CONN.	
A NO. 1 0.76mm J-10368 Y.S. 9/16		LTR REVISION RECORD DR CHK DATE		APP. T. SATO 1-23-08		GENERAL TOLERANCE 0-10 : ±0.2 10-30 : ±0.25 30-100 : ±0.3 ANGLES : ±3°	
				SCALE 2-1		SIZE LOC NUMBER A3 J C-174682	
				REV. D		SHEET 10F2	

CUSTOMER DRAWING

NUMBER C-174682

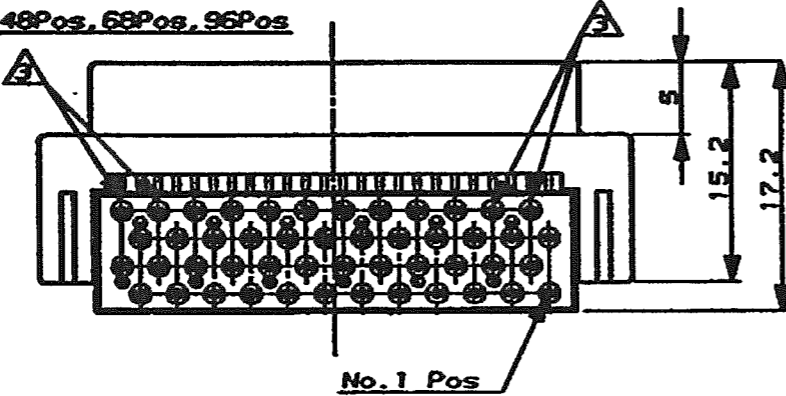
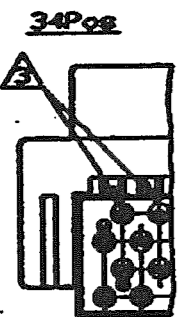
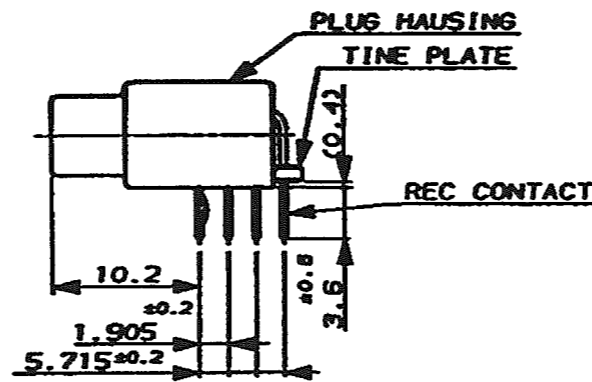
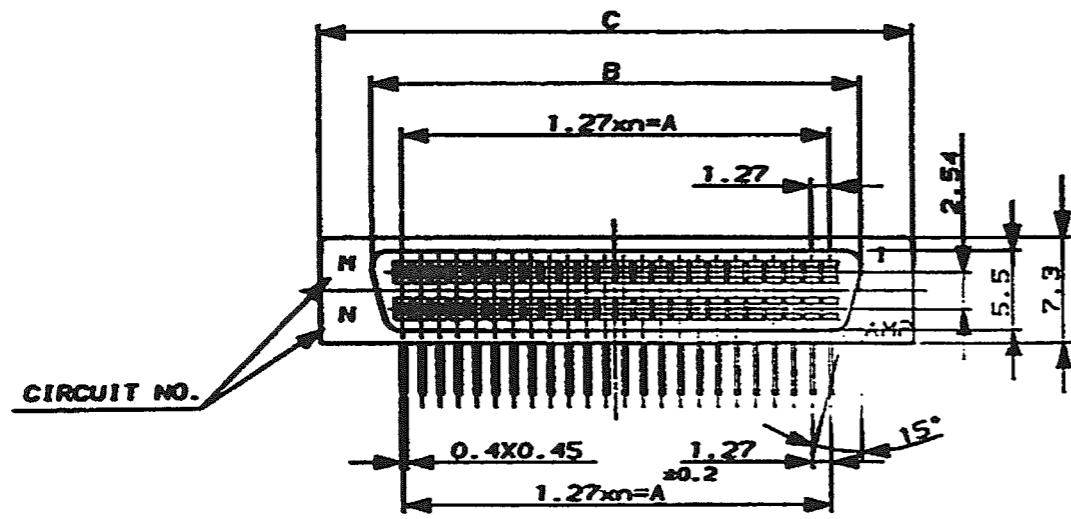
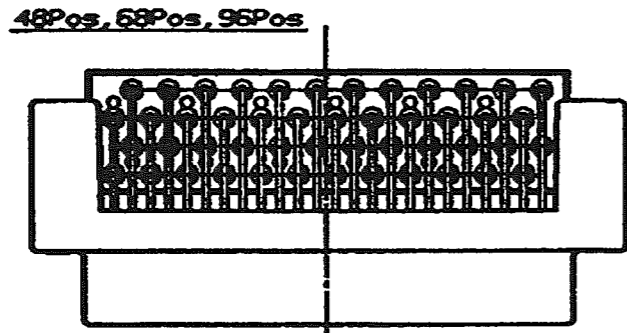
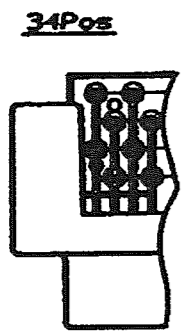


METRIC

DIMENSIONS IN MILLIMETERS. DO NOT SCALE PRINT

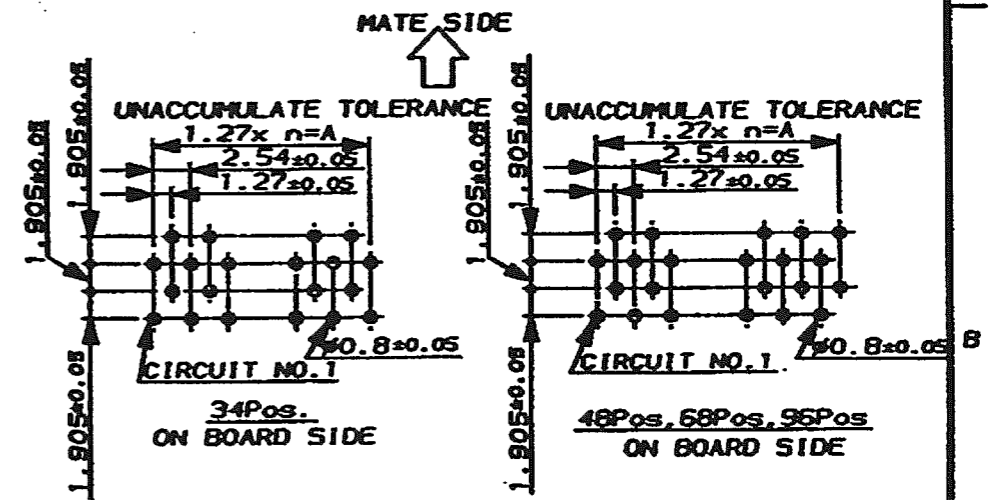
PRINT DIST

REV. 10/88



NOTES,

- 1 MATERIAL AND FINISH
 PLUG HOUSING AND TINE PLATE
 , THERMOPLASTIC (UL94V-0) COLOR: BLACK
 REC. CONTACT
 , PHOS-BRONZE FINISH: OVER NICKEL
 MATING END: 0.0002 MIN OR
 0.00075 MIN GOLD
 TERMINATION END: TIN-LEAD
 OVER SEALING TREATMENT.
- 2 P.C.B LAYOUT AND P.C.B TREATMENT (REF.)
 USE A P.C.B SURFACE ARE TREATED WITH SOLDER RESIST.



3 KINK POSITIONS (4 POSITIONS)

CONTEMPLATION.

AU PL.	96	48	59-69	63-86	71-00	42	96	8-174682-8
0.00075 MIN	68	34	41.91	46.08	53.22	33	68	8-174682-7
	48	24	29.21	33.38	40.52	23	48	8-174682-6
	34	17	20.32	24.49	31.63	16	34	8-174682-5
AU PL.	96	48	59-69	63-86	71-00	42	96	3-174682-8
0.0002 MIN	68	34	41.91	46.08	53.22	33	68	3-174682-7
	48	24	29.21	33.38	40.52	23	48	3-174682-6
	34	17	20.32	24.49	31.63	16	34	3-174682-5
REMARK	CIRCUIT NO.	DIMENSION	n	POS.	PART NO.			

SEE SHEET 1 OF 2		tyco Electronics Tyco Electronics AMP K.K. Kawasaki, Japan	
WIRE RANGE		INSULATION DIA	
MATERIAL		FINISH	
DR. Yo, SATO 12/23/87		DE. T, DOI 1-23-88	
CHK. R, NISHIMURA 1-23-88		APP. T, DOI 1-23-88	
GENERAL TOLERANCE		SIZE	LOC
0-CHK 10 : ±0.2		A3	J
10-CHK 30 : ±0.25		NUMBER C-174682	
30-CHK 100 : ±0.3		SCALE	REV.
ANGLES : ±3°		2-1	D
LTR		REVISION RECORD	SHEET 20F2

CUSTOMER DRAWING