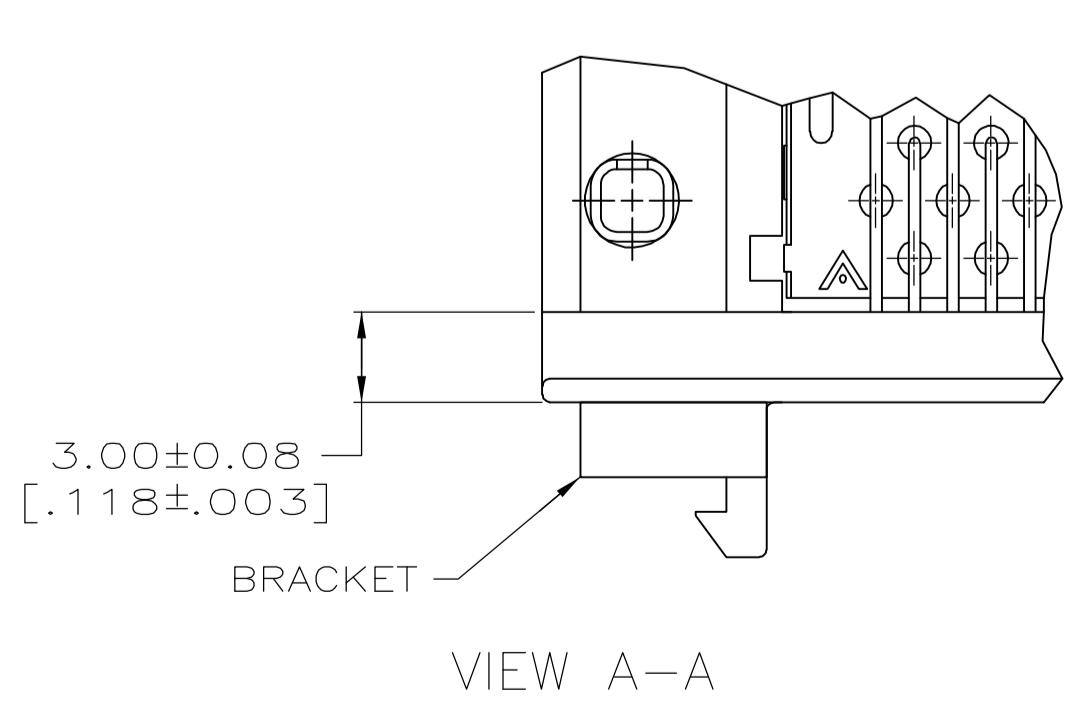
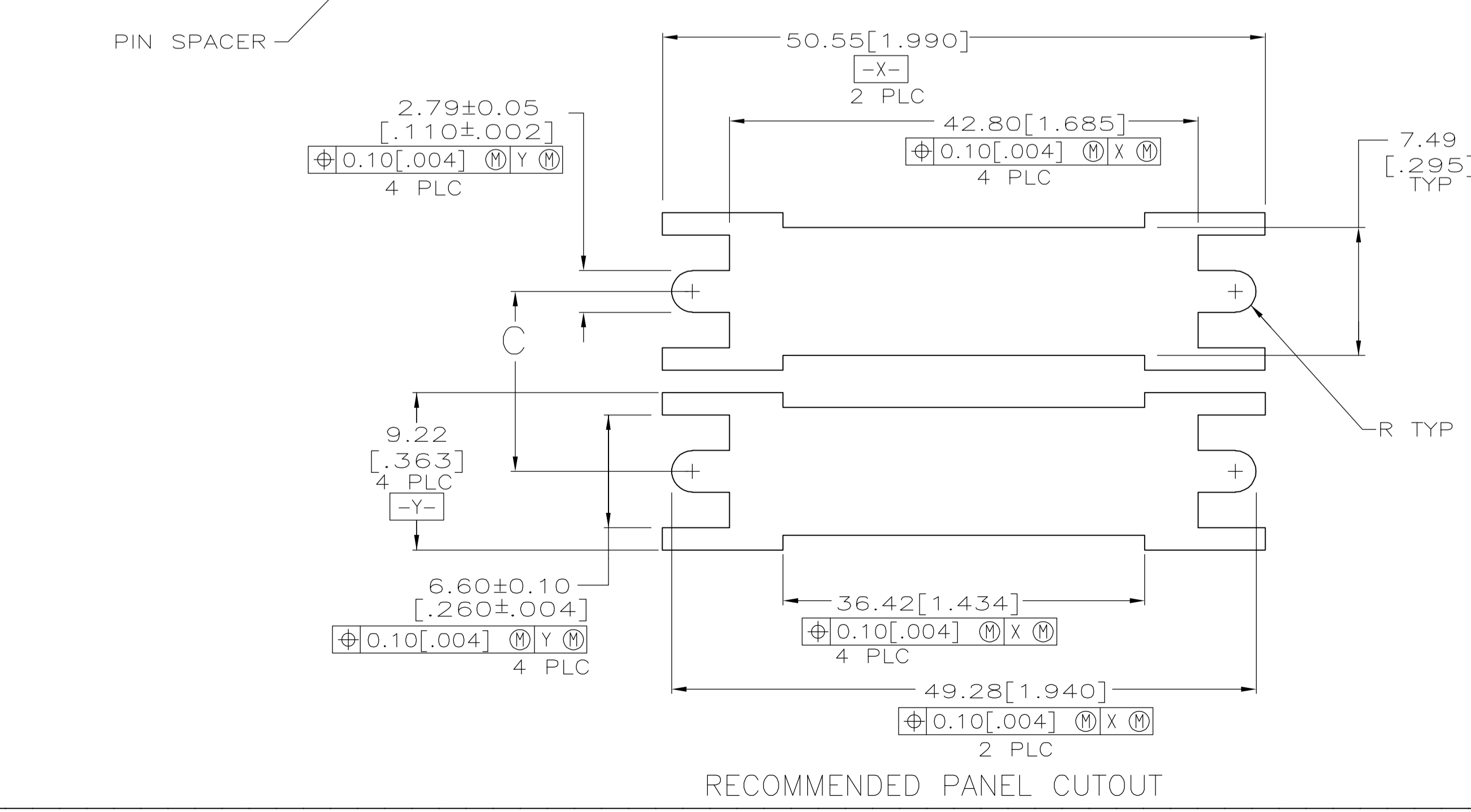
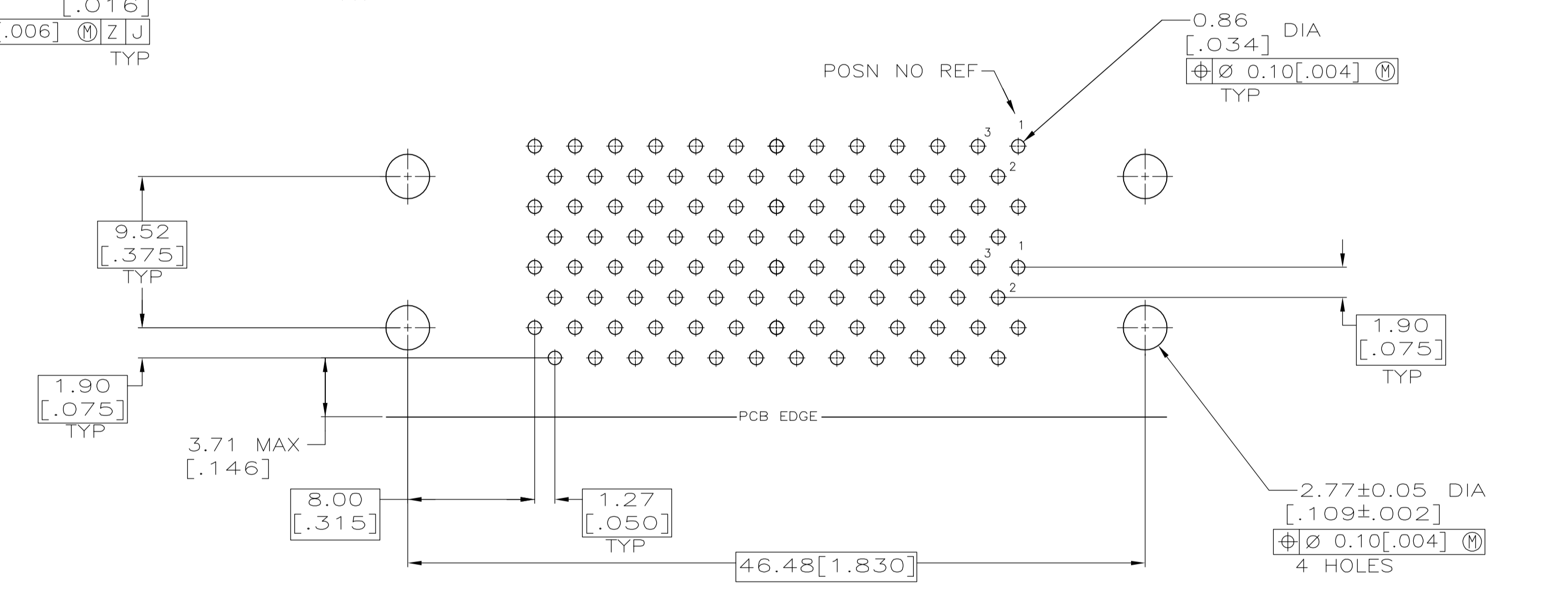
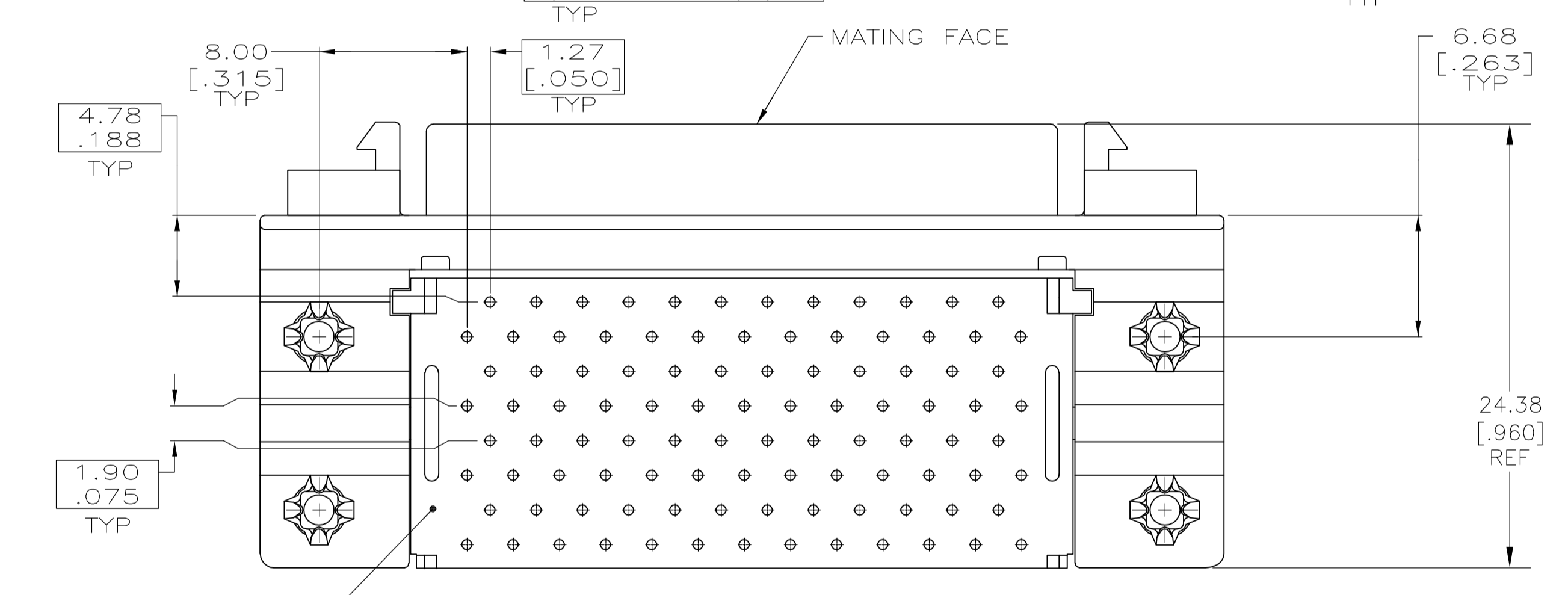


- ① CONTACTS: PHOSPHOR BRONZE; HOUSING AND PIN SPACER: UL 94V-0 RATED, POLYESTER, BLACK; BRACKET: ZINC; SHELL: CARBON STEEL; BOARDLOCKS: COPPER ALLOY.
- ② CONTACTS: 0.76µm [.000030] MIN GOLD FOR A LENGTH OF 0.64 [.025] MIN FROM MATING END, 3.81µm [.000150] MIN TIN-LEAD ON OPPOSITE END FOR A LENGTH OF 3.23 [.127] MIN, BOTH OVER 1.27µm [.000050] MIN NICKEL. SHELLS: 5.08µm [.000200] MIN TIN OVER 1.27µm [.000050] MIN COPPER. BRACKET: 3.81µm [.000150] MIN NICKEL OVER 5.08µm [.000200] MIN COPPER. BOARDLOCKS: 5.08µm [.000200] MIN TIN-LEAD OVER 1.27µm [.000050] MIN NICKEL.
- ③ 0.5" X 0.5" ADHESIVE DATE CODE LABEL. AFFIXED IN APPROX. AREA SHOWN OR ON OPPOSITE END OF PART.



P.C. BOARD MOUNTING DIMENSIONS
 CONNECTOR SIDE
 P.C. BOARD THICKNESS 1.57±0.20 [.062±0.008]

23.01 [.906]	22.20 [.874]	21.39 [.842]	12.70 [.500]	50	787656-1
N	M	K	C	NO OF POSN	PART NUMBER

THIS DRAWING IS A CONTROLLED DOCUMENT.

DIMENSIONS: mm(INCHES)	TOLERANCES UNLESS OTHERWISE SPECIFIED:	DRAWING NO	RESTRICTED TO
0 PLC ± -	1 PLC ± -	108-1228	
2 PLC ± -	3 PLC ± 0.13 [.005]	114-40029	
4 PLC ± -	ANGLES ± -	WEIGHT -	

THIS DRAWING IS A CONTROLLED DOCUMENT. DIN C.DORWART 14 DEC 95. CHK R.STONE 18 DEC 95. AP'D R.WALTER 19 DEC 95. NAME RECEPTACLE ASSEMBLY, STACKED, RIGHT ANGLE, .050 SERIES, AMPLIMITE. SIZE CAGE CODE DRAWING NO A1 00779 C=787656. SCALE 4:1 SHEET 1 OF 1 REV F1. CUSTOMER DRAWING.