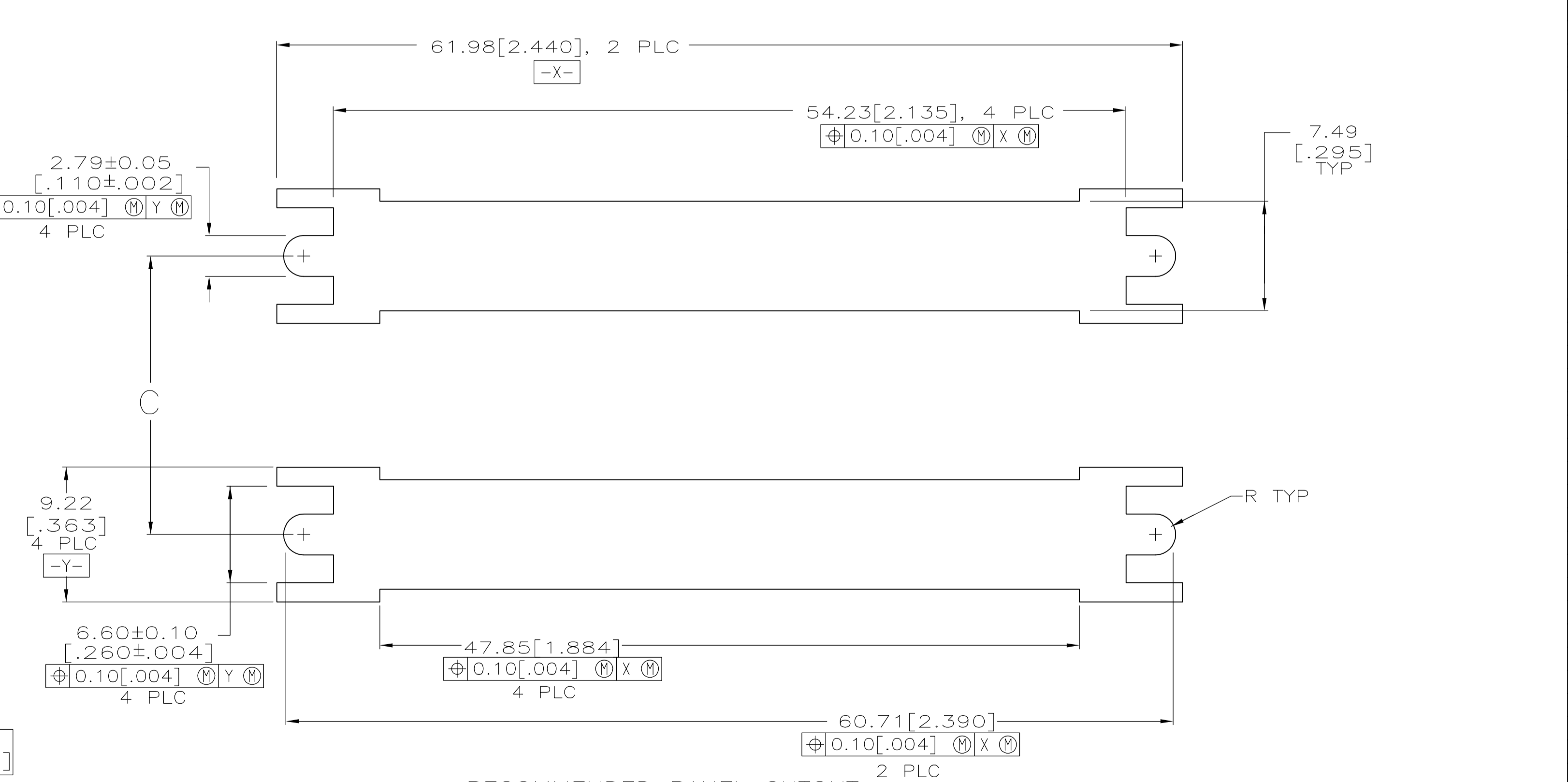
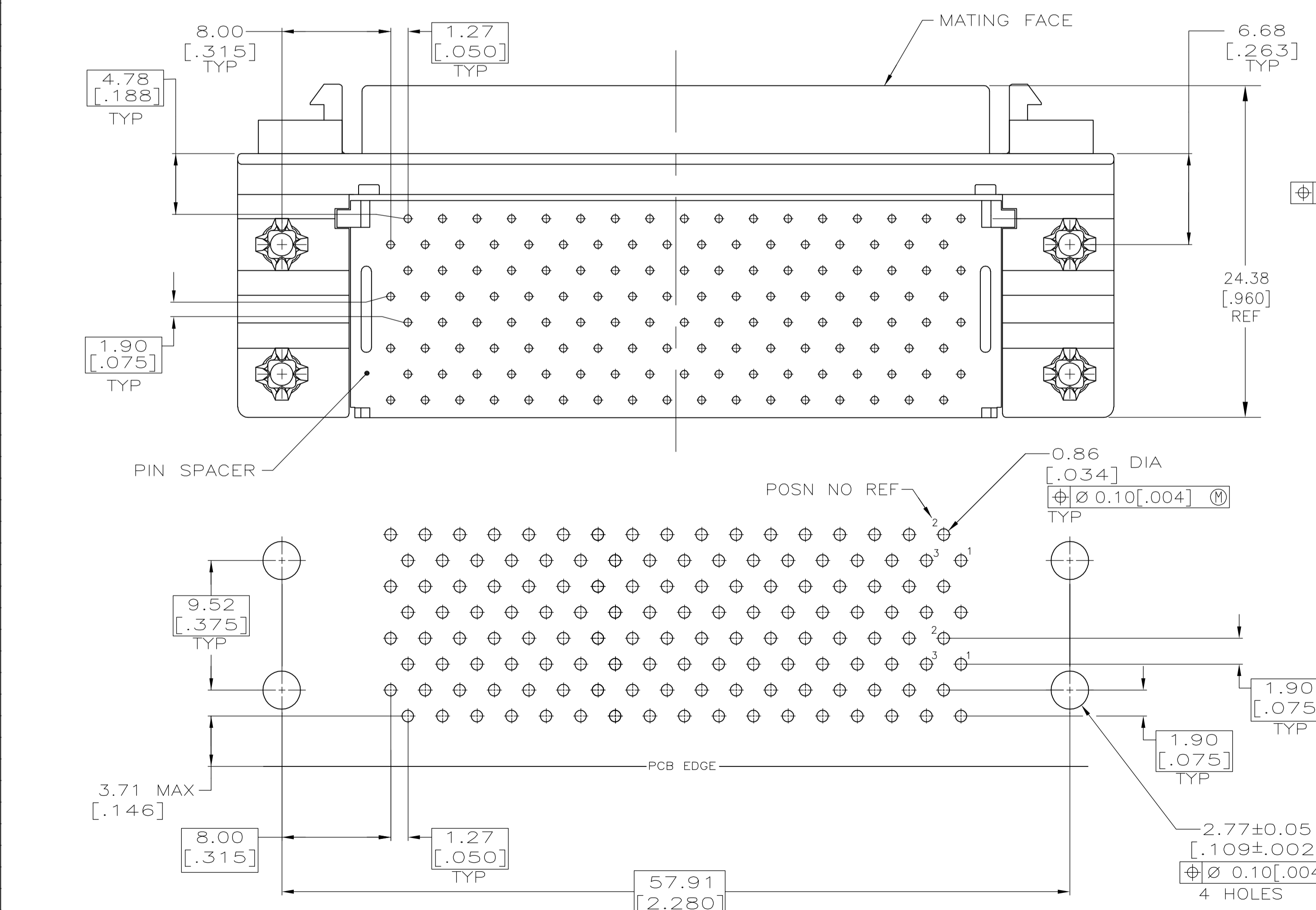
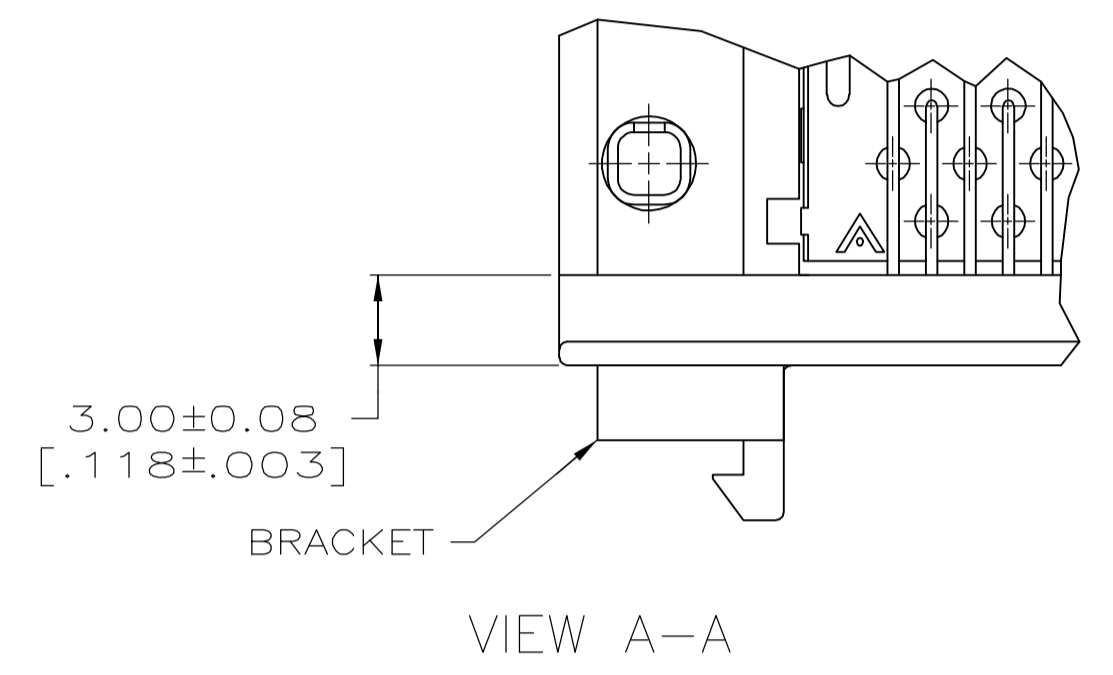


- 1 CONTACTS: PHOSPHOR BRONZE; HOUSING AND PIN SPACER: UL 94V-0 RATED, POLYESTER, BLACK; BRACKET: ZINC; SHELL: CARBON STEEL; BOARDLOCKS: COPPER ALLOY.
- 2 CONTACTS: 0.76µm [.000030] MIN GOLD FOR A LENGTH OF 0.64 [.025] MIN FROM MATING END, 3.81µm [.000150] MIN TIN-LEAD ON OPPOSITE END FOR A LENGTH OF 3.23 [.127] MIN, BOTH OVER 1.27µm [.000050] MIN NICKEL. SHELLS: 5.08µm [.000200] MIN TIN OVER 1.27µm [.000050] MIN COPPER. BRACKET: 3.81µm [.000150] MIN NICKEL OVER 5.08µm [.000200] MIN COPPER. BOARDLOCKS: 5.08µm [.000200] MIN TIN-LEAD OVER 1.27µm [.000050] MIN NICKEL.
- 3 0.5" X 0.5" ADHESIVE DATE CODE LABEL AFFIXED IN APPROX. AREA SHOWN, OR ON OPPOSITE END OF PART.



RECOMMENDED P.C.BOARD MOUNTING DIMENSIONS
CONNECTOR SIDE
P.C.BOARD THICKNESS 1.57±0.20 [.062±.008]

THIS DRAWING IS A CONTROLLED DOCUMENT.		DWN	W.G.LENKER	12 FEB 96	tyco Electronics	Tyco Electronics Corporation Harrisburg, PA 17105-3608	
DIMENSIONS: mm (INCHES)		CHK	R.STONE	14 FEB 96		APVD	R.WALTER
TOLERANCES UNLESS OTHERWISE SPECIFIED:		PRODUCT SPEC		NAME		RECEPTACLE ASSEMBLY, STACKED, RIGHT ANGLE, .050 SERIES, AMPLIMITE	
0 PLC	± -	108-1228		APPLICATION SPEC		114-40029	
1 PLC	± -	SIZE		CAGE CODE		DRAWING NO	
2 PLC	± 0.13 [.005]	A1		C=787678		RESTRICTED TO	
3 PLC	± -	WEIGHT		SCALE		SHEET	
4 PLC	± -	CUSTOMER DRAWING		4:1		1 OF 1	
ANGLES	± -	REV		C1			