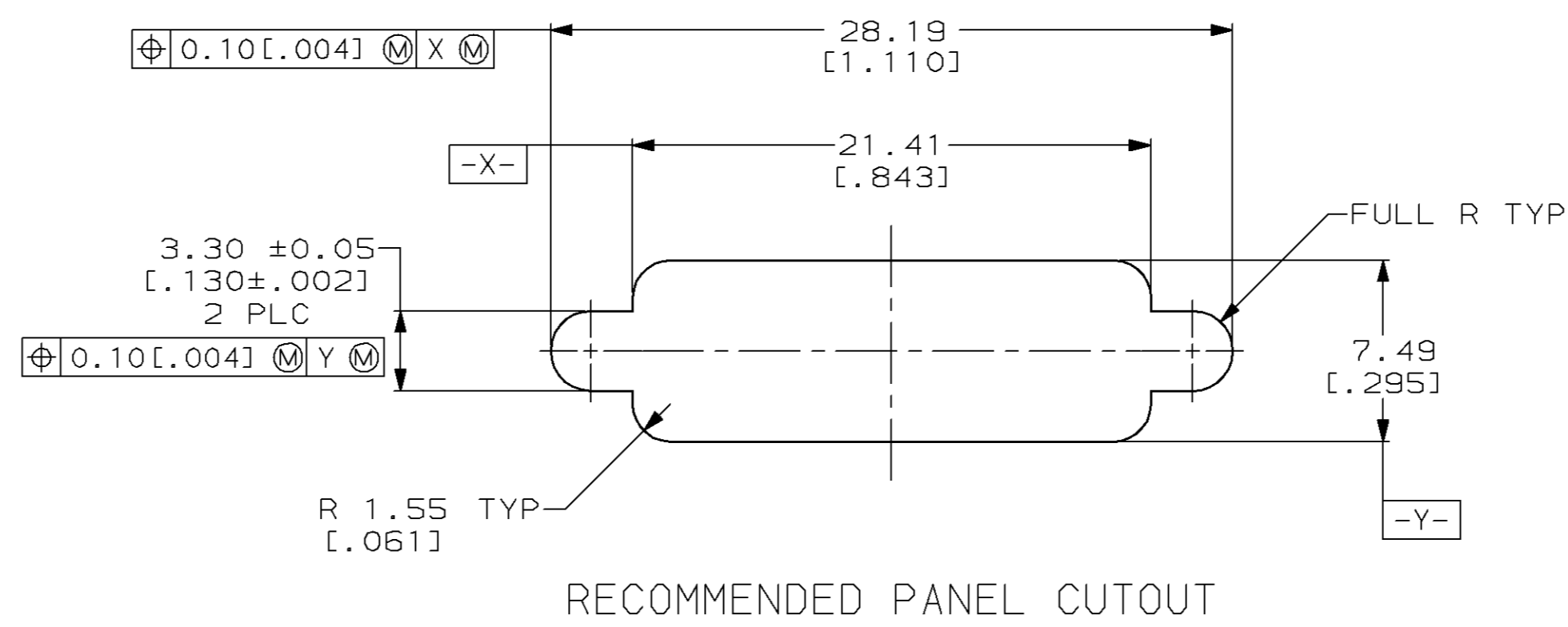
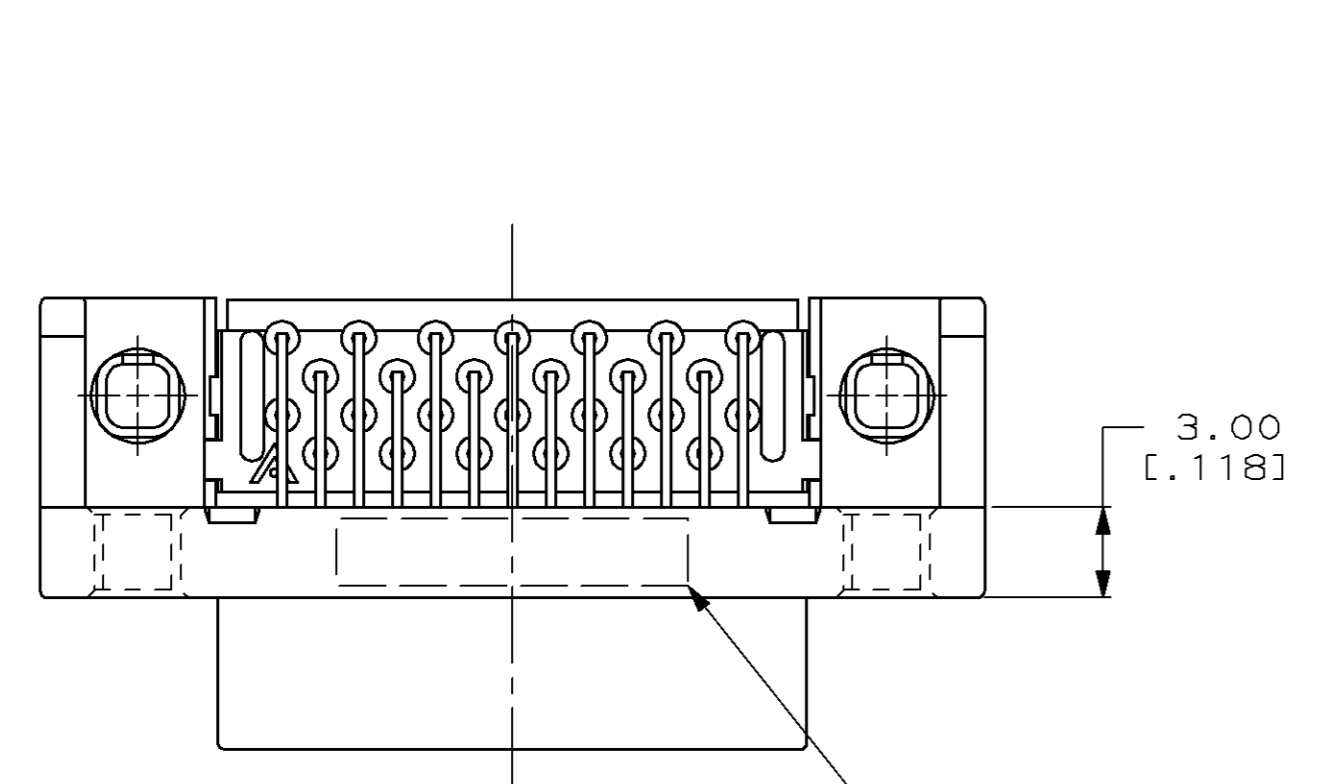
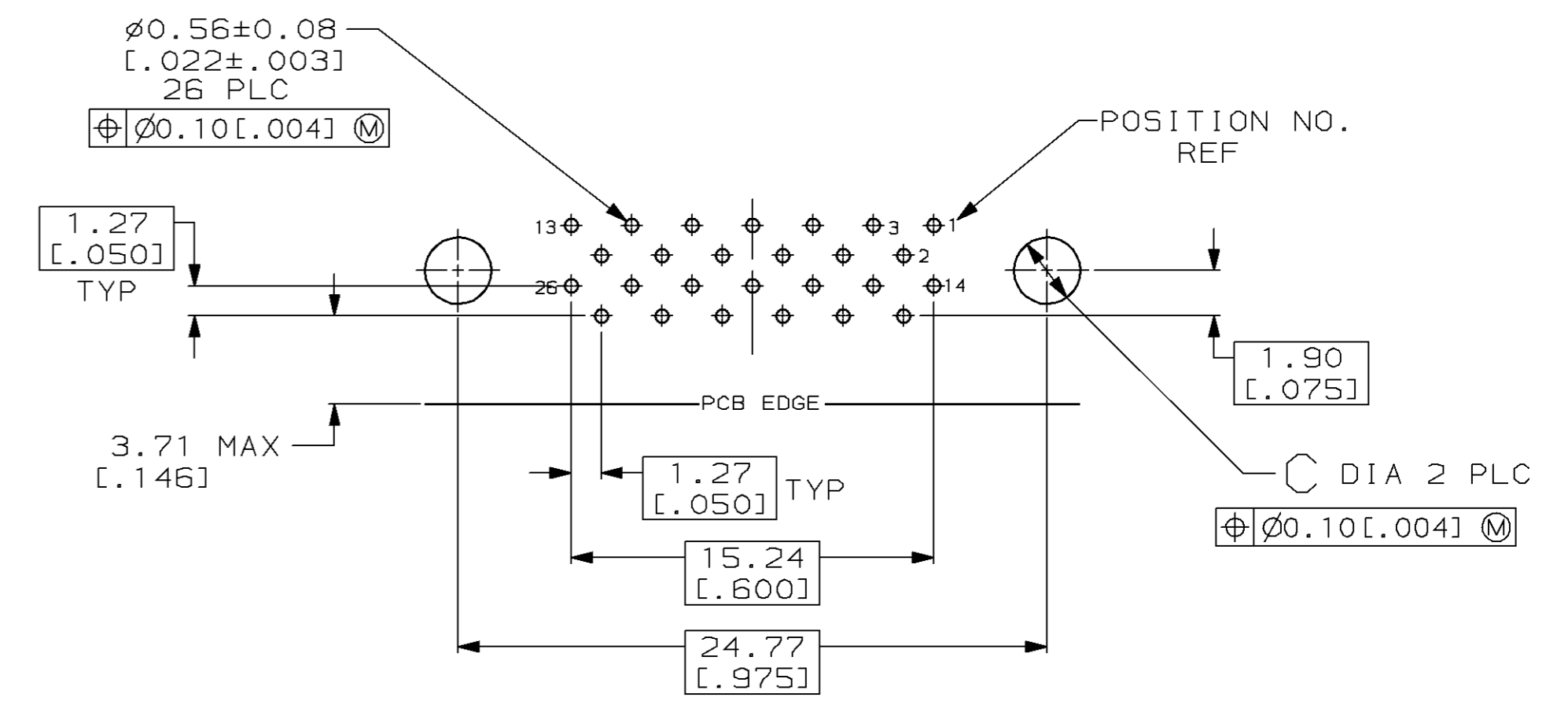


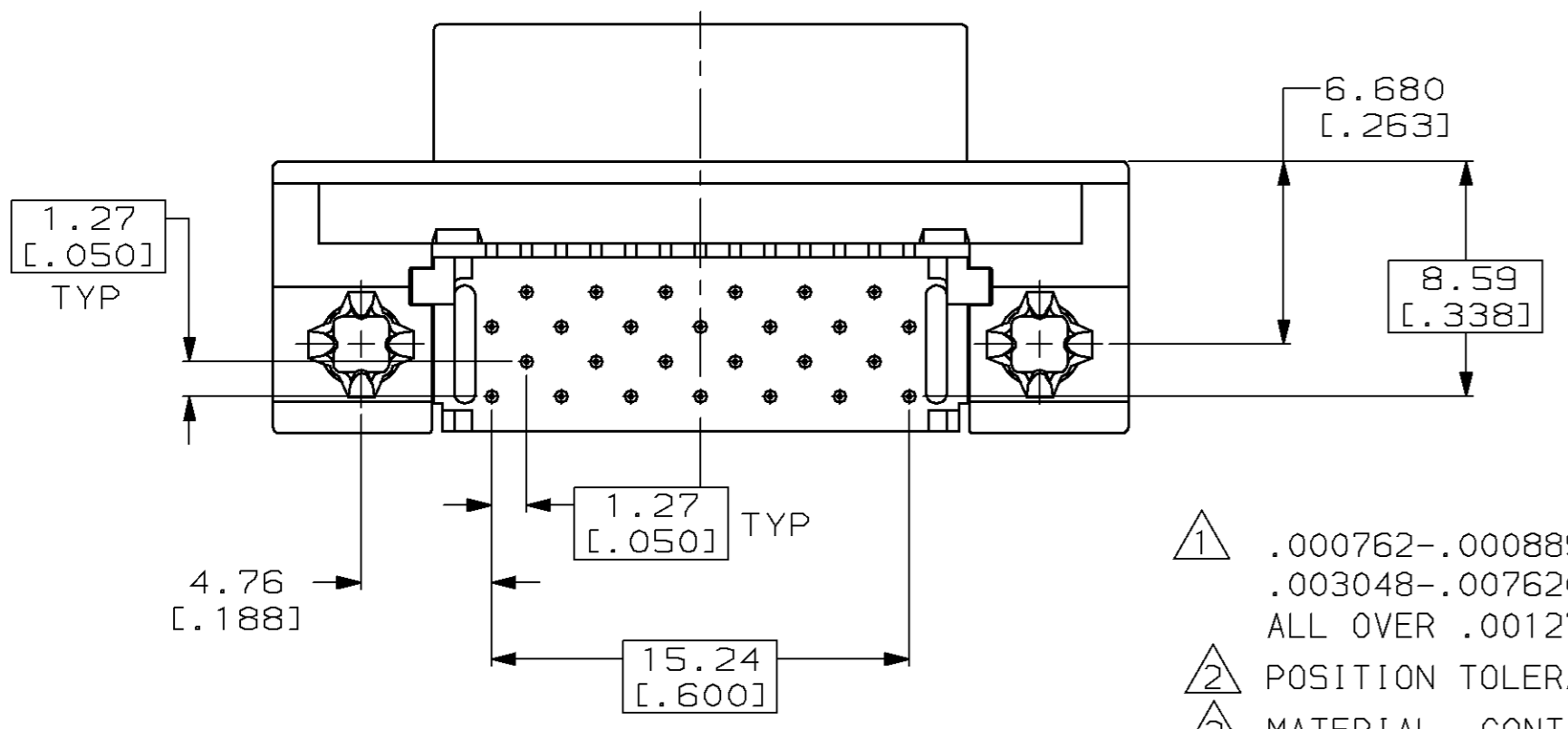
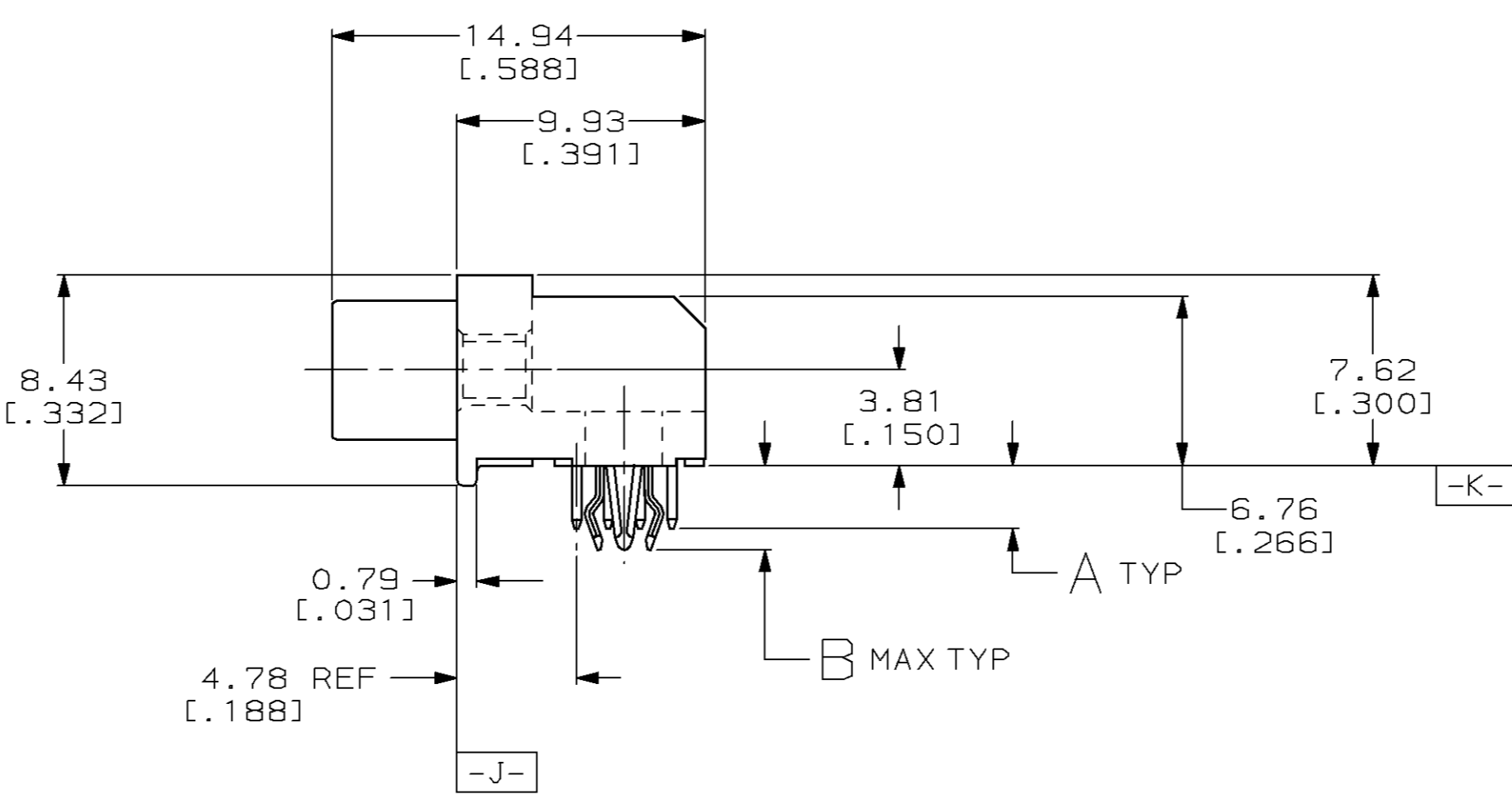
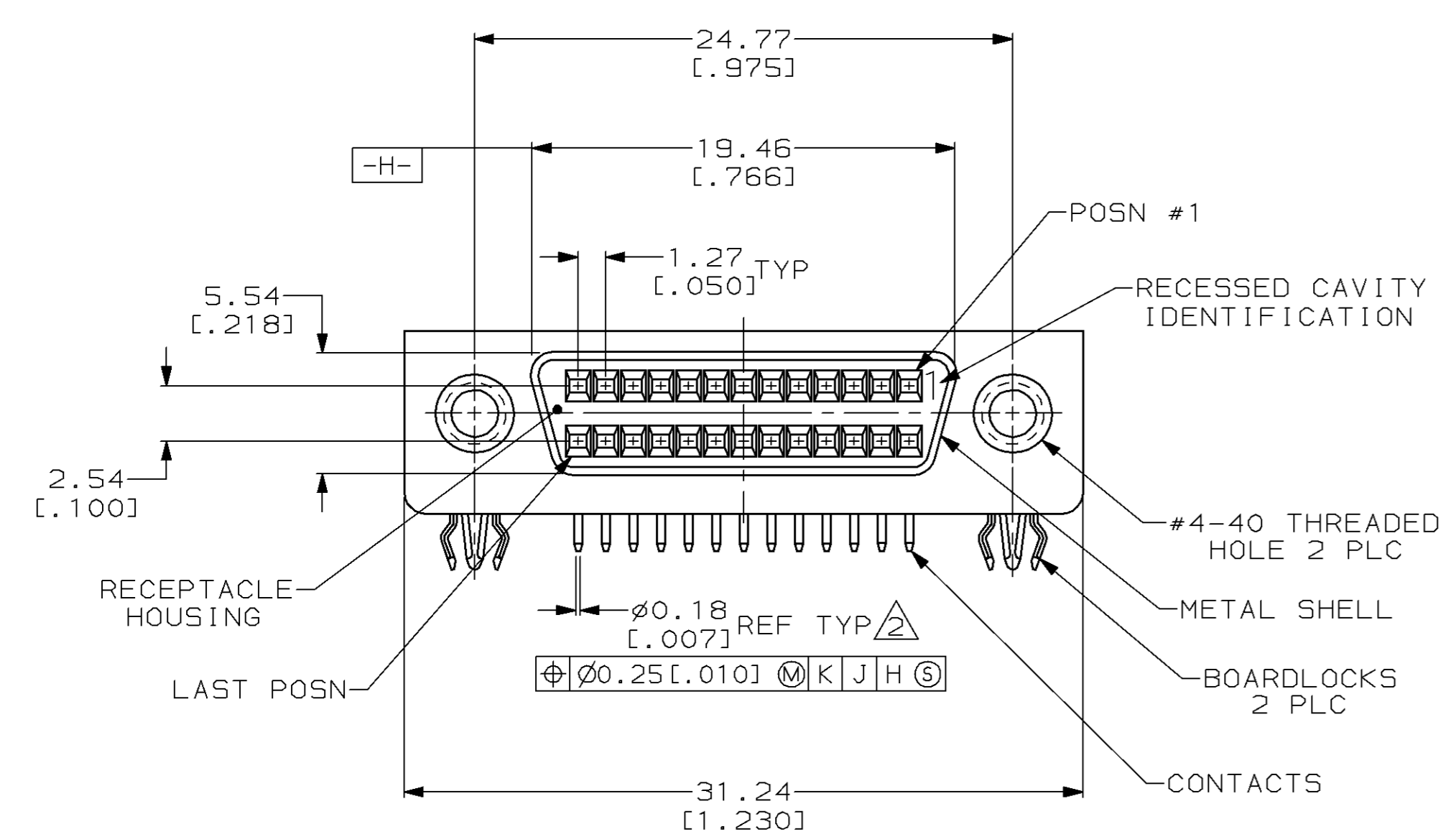
LOC		DIST		REVISONS		REVISIONS		
BD	95	P	F	ZONE	LTR	DESCRIPTION	DATE	APPD
						RELEASED PER NPR #35, WAS 91-4664-17	-	-
						REVISED PER ECN 4221-0793	10/04/91	J.A.Root
						REVISED PER ECN 4221-0804	10/21/91	J.A.Root
						REVISED PER ECN 4221-0817,0845	02/18/92	J.A.Root
						REV PER EC 0020-1334-94	11/11/94	LB
						ADDED -3		
						PER EC 0020-133-96	12 FEB 96	LJB
						OBS -2 PER EC 0410-180-96	22 SEP 97	LB



RECOMMENDED PANEL CUTOUT



P.C. BOARD MOUNTING DIMENSIONS
 CONNECTOR SIDE
 P.C. BOARD THICKNESS = D



- ① .000762-.000889 [.000030-.000035] THICK GOLD ON MATING END, .003048-.007620 [.000120-.000300] THICK TIN-LEAD ON SOLDER LEAD, ALL OVER .001270-.002540 [.000050-.000100] THICK NICKEL.
- ② POSITION TOLERANCE APPLIES AT TIP ONLY.
- ③ MATERIAL: CONTACTS-PHOSPHOR BRONZE, RECEPTACLE HOUSING-UL 94V-0 RATED LCP, COLOR BLACK, BRACKET-ZINC, METAL SHELL-CARBON STEEL, BOARDLOCKS-COPPER ALLOY.
- ④ 0.00508-0.01016 [.000200-.000400] TIN OVER 0.00127-0.00254 [.000050-.000100] COPPER.
- ⑤ 0.00508-0.01016 [.000200-.000400] TIN-LEAD OVER 0.00508-0.00762 [.000200-.000300] COPPER.
- ⑥ 0.00508-0.01016 [.000200-.000400] TIN-LEAD OVER 0.00127-0.00254 [.000050-.000100] NICKEL.
- ⑦ GOLD FLASH OVER 1.02µm [.000040] MIN PALADIUM NICKEL ON MATING END, 1.27µm [.000050] MIN TIN-LEAD ON SOLDER END, ALL OVER 1.27µm [.000050] MIN NICKEL.

	1.57±0.20 [.062±.008]	2.77±0.05 [.109±.002]	3.81 [.150]	2.54 [.100]	△	750823-3
OBSOLETE	2.36±0.23 [.093±.009]	3.18±0.08 [.125±.003]	4.52 [.178]	3.30 [.130]	△	750823-2
	1.57±0.20 [.062±.008]	2.77±0.05 [.109±.002]	3.81 [.150]	2.54 [.100]	△	750823-1
	D	C	B	A	CONTACT FINISH	PART NUMBER

DO NOT SCALE PRINT. UNLESS SPECIFIED DIMENSIONS IN mm [INCHES] TOLERANCES ON: 2 PLC DEC ± 0.13 [.005] 3 PLC DEC ± - ANGLES ± 2°	DR 05-30-91 John A. Root CHK 05-30-91 J. BROSCARD APPD 05-30-91 J. BROSCARD APPD 07-02-91 R. Whiteman PRODUCT SPEC	AMP Incorporated Harrisburg, PA 17105-3608		
FINISH CONTACT: SEE TABLE METAL SHELL: △ BOARDLOCKS: △ BRACKET: △	APPLICATION SPEC -	SIZE D	CAGE CODE 00779	DRAWING NO 750823
	WEIGHT	SCALE 4:1	SHEET 1 OF 1	