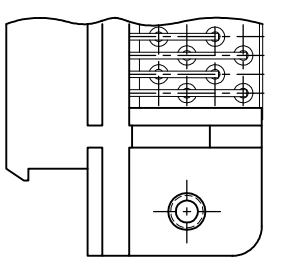
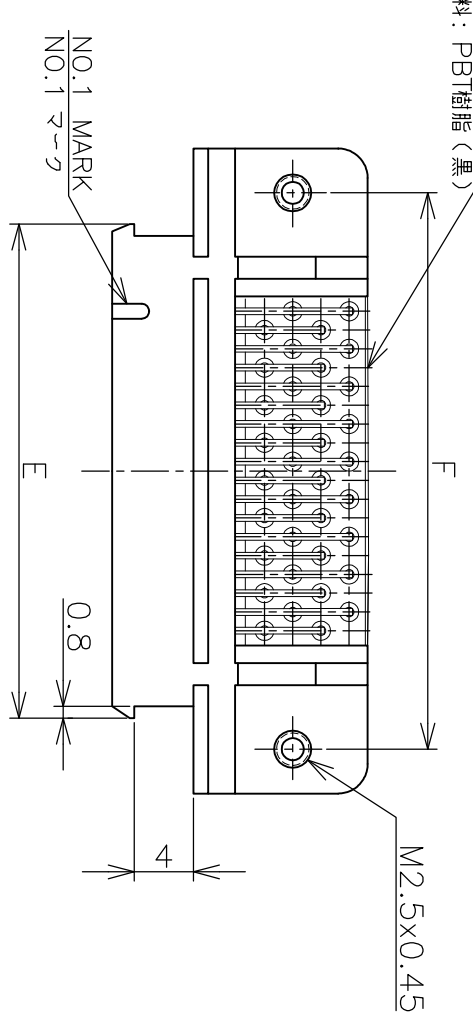
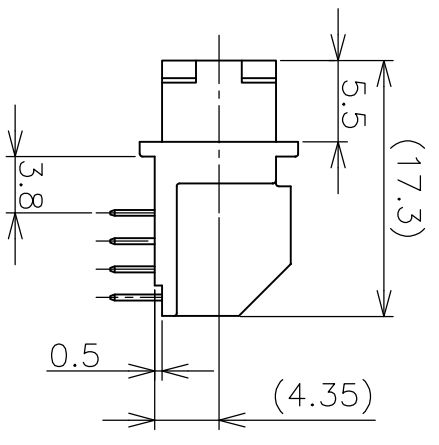
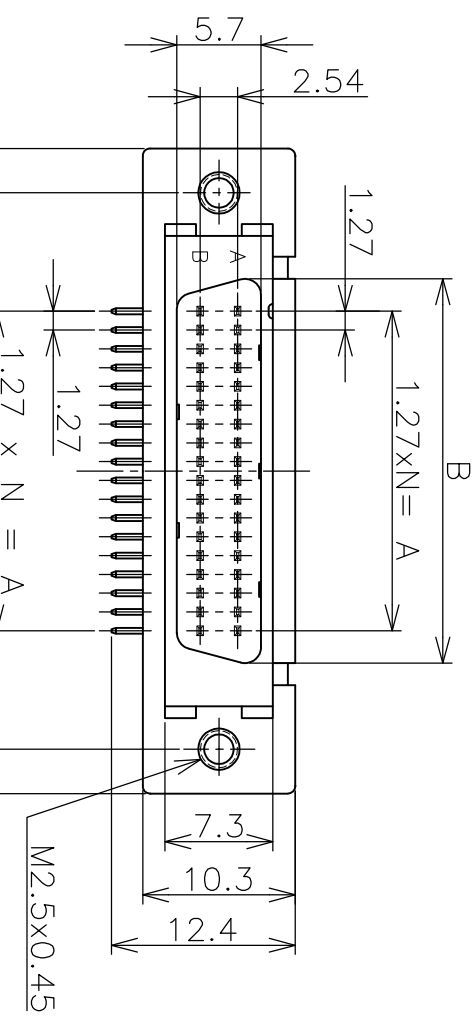


TINE PLATE
 MATERIAL: PBT (BLACK)
 タイコプレート
 材料: PBT樹脂 (黒)



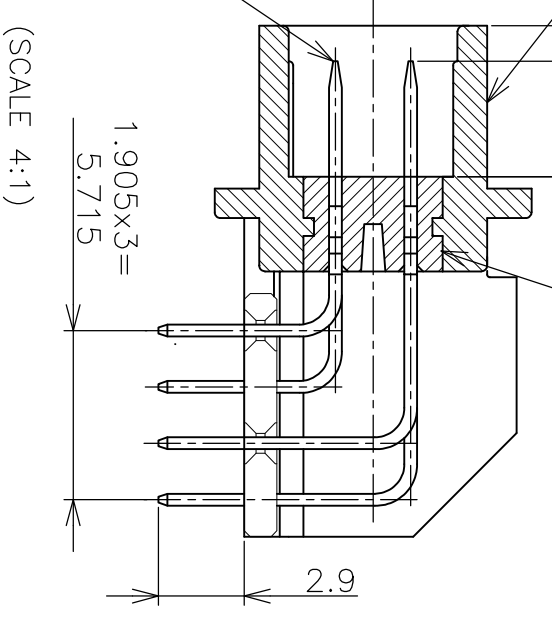
50POS (-4) ONLY



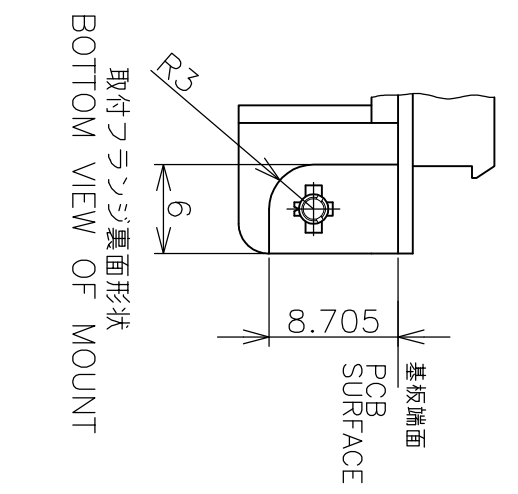
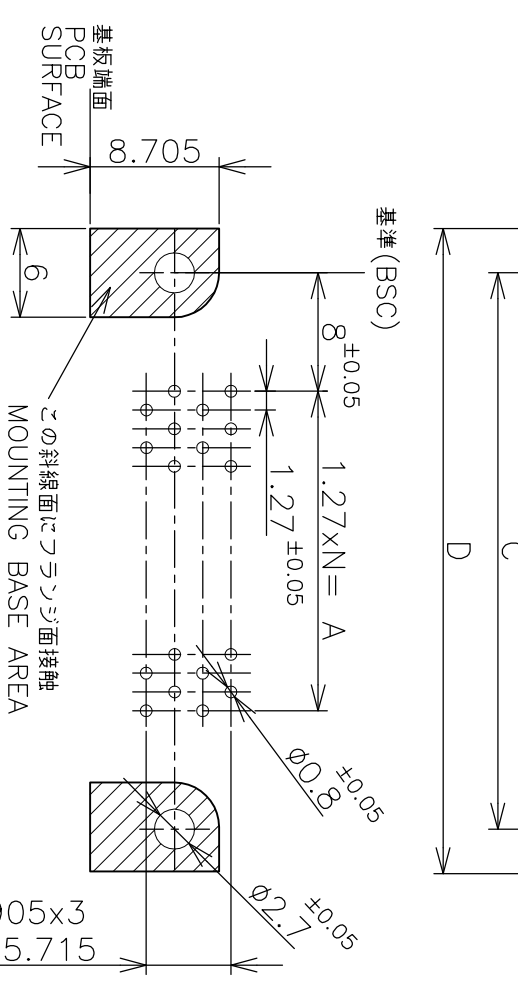
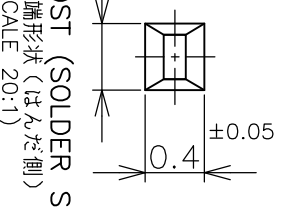
CAP SHIELD
 MATERIAL: ZINC
 FINISH: NICKEL OVER COPPER
 キャップシールド
 材料: 亜鉛ダイカスト
 仕上: 銅下地ニッケルめっき

POST CONTACT
 MATERIAL: PHOS BRONZE
 FINISH: GOLD (CONTACT AREA)
 TIN LEAD (SOLDER TINE AREA)
 WITH ENTIRE CONTACT
 UNDER PLATED NICKEL
 ポストコンタクト
 材料: りん青銅
 仕上: 金 (接触部)、すずめっき (タイン部)
 全面ニッケル下地めっき

CAP HOUSING
 MATERIAL: PBT BLACK
 キャップハウジング
 材料: PBT樹脂 黒



TOP OF POST (SOLDER SIDE)
 ポスト先端形状 (ばんだ側)
 (SCALE 20:1)



POS	N	A	B	C	D	E	F	GOLD THK	PART NUMBER
96	47	59.69	64.06	75.7	81.7	71.49	75.7		2-174225-6
68	33	41.91	46.28	57.9	63.9	53.71	57.9		2-174225-5
50	24	30.48	34.85	46.5	52.5	42.28	46.5	0.00076 MIN	2-174225-4
36	17	21.59	25.96	37.6	43.6	33.39	37.6		2-174225-3
28	13	16.51	20.88	32.5	38.5	28.31	32.5		2-174225-2
20	9	11.43	15.8	27.4	33.4	23.23	27.4		2-174225-1
96	47	59.69	64.06	75.7	81.7	71.49	75.7		174225-6
68	33	41.91	46.28	57.9	63.9	53.71	57.9		174225-5
50	24	30.48	34.85	46.5	52.5	42.28	46.5	0.0002 MIN	174225-4
36	17	21.59	25.96	37.6	43.6	33.39	37.6		174225-3
28	13	16.51	20.88	32.5	38.5	28.31	32.5		174225-2
20	9	11.43	15.8	27.4	33.4	23.23	27.4		174225-1

FIG. 1

- 1 P.C BOARD HOLE LAY-OUT AS SHOWN FIG. 1
- 2 USE SCREW SIZE ; M2.5 PAN-HEAD SCREW

- 1 基板パターン寸法図は FIG. 1に示す通り。
- 2 適用ねじ: M2.5 ねじ小ねじ

THIS DRAWING IS A CONTROLLED DOCUMENT.

DIMENSIONS: 単位: 概 MM	TOLERANCES UNLESS OTHERWISE SPECIFIED: 一般公差	APVD H.KODAMA	NAME POST HEADER (HORIZONTAL M2.5) AMPLIMITE .050 SERIES 2 TYPE B
0 PLC ±0.3	OTHERWISE SPECIFIED: 一般公差	T.FUJITSIGI	SIZE A3
1 PLC ±0.3		H.KODAMA	CAGE CODE 00779
2 PLC ±0.3		PRODUCT SPEC	DRAWING NO 174225
3 PLC ±0.3		製品規格	SCALE 2:1
4 PLC ±0.3		取付適用規格	SHEET 1 OF 1
FINISH 仕上	±0.3	APPLICATION SPEC	REV D1
MATERIAL 材料		WEIGHT	RESTRICTED 30

CUSTOMER DRAWING

REVISIONS

REV	DESCRIPTION	DATE	DWN	APVD
D1	REVISED PER ECR-07-013394	06JUN07	T.Z	S.Y

APVD H.TAGUCHI 16DEC03
 CHK T.FUJITSIGI 16DEC03

Tyco Electronics AMP K.K.
 Kawasaki, Japan