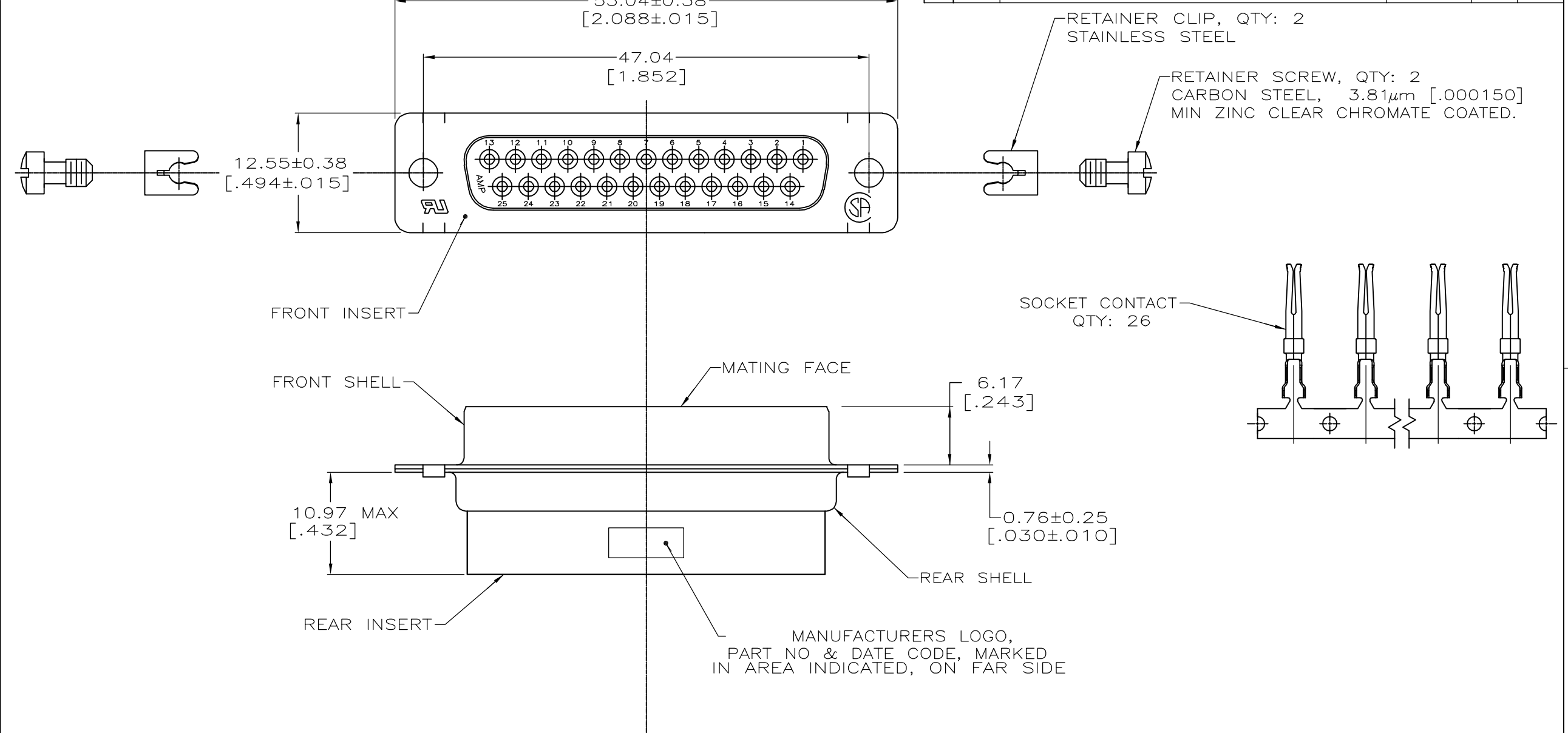
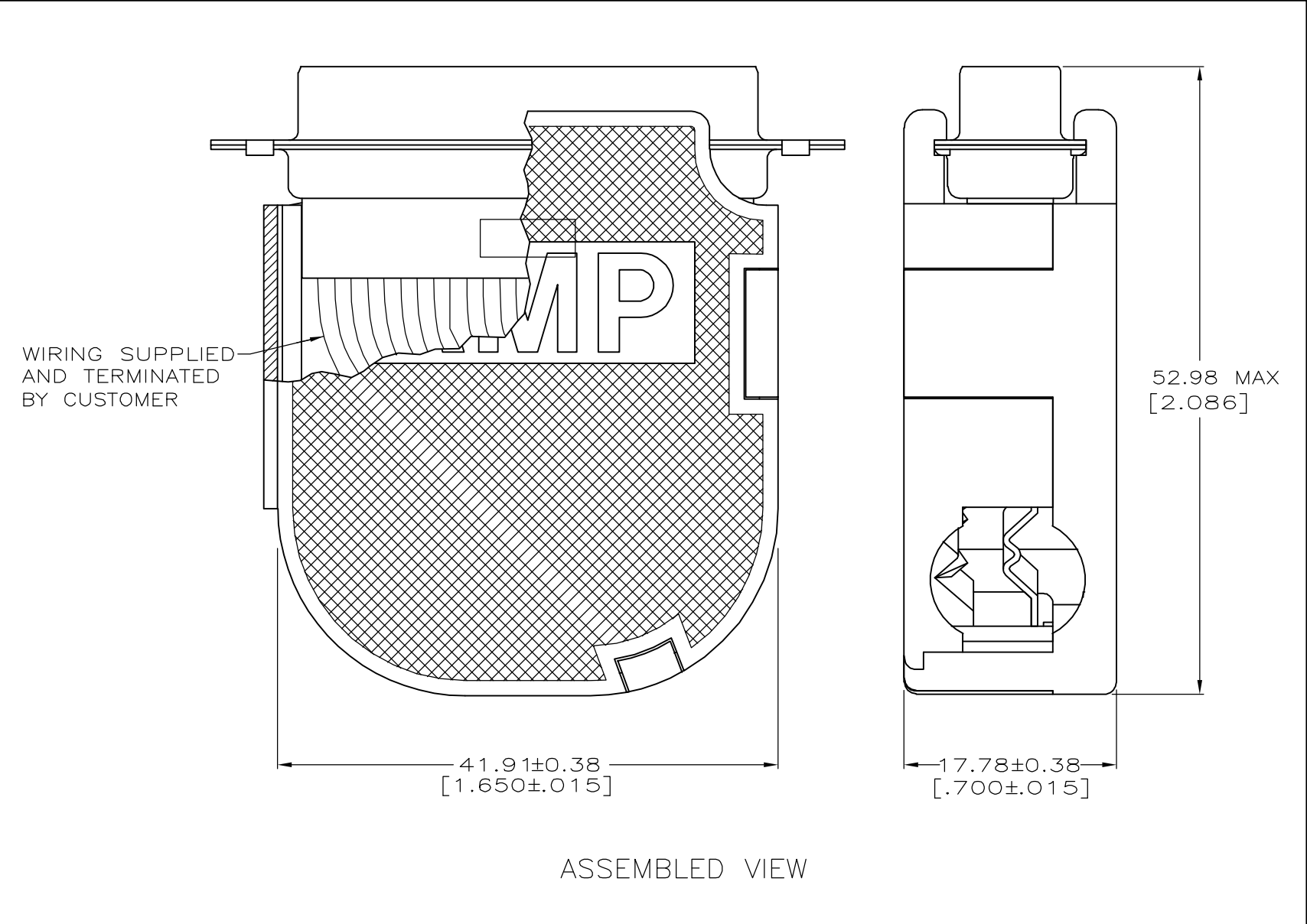
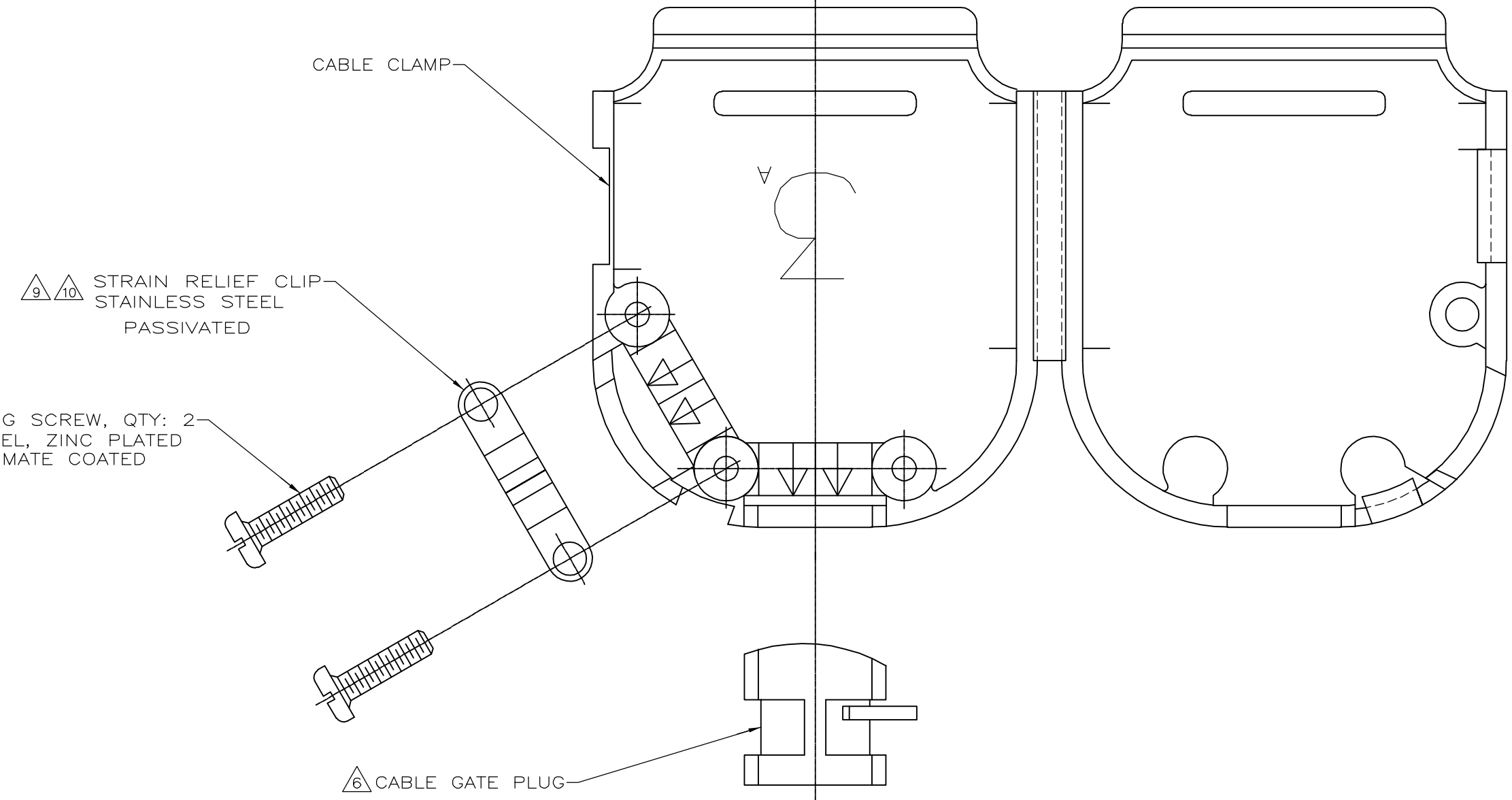


THIS DRAWING IS UNPUBLISHED. RELEASED FOR PUBLICATION
 © COPYRIGHT BY TYCO ELECTRONICS CORPORATION. ALL RIGHTS RESERVED.

LOC		DIST		REVISIONS					
GP		00		P	LTR	DESCRIPTION	DATE	DWN	APVD
				A		REVISED PER EC 0S13-0266-05	18JUL06	BM	CR



- 1. CONTACTS ACCEPT 20-24 AWG RANGE.
 - △ INSERTS: NYLON, GLASS FILLED, UL 94V-0 RATED, BLACK.
 - △ CABLE CLAMP & CABLE GATE PLUG: POLYPROPYLENE, BLACK
 - △ CONTACTS: PHOSPHOR BRONZE.
 - △ SHELLS: CARBON STEEL.
 - △ CABLE GATE PLUG TO BE PLACED IN CABLE EXIT NOT BEING USED.
 - △ CONTACTS: GOLD FLASH FOR A LENGTH OF 2.54[.100] MIN FROM MATING END, 2.54µm[.000100] MIN TIN ON OPPOSITE END FOR A LENGTH OF 4.06 [.160] MIN FROM END OF INSULATION BARREL, BOTH OVER 0.76µm[.000030] MIN NICKEL ON ENTIRE CONTACT.
 - △ SHELLS: 5.08µm[.000200] MIN TIN OVER 2.54µm[.000100] MIN COPPER.
 - △ STRAIN RELIEF CLIP CAN BE REVERSED FOR PROPER INSTALLATION, DEPENDING ON SIZE OF CABLE DIAMETER.
 - △ STRAIN RELIEF CLIP AND SELF TAPPING SCREWS MAY BE USED AT EITHER CABLE EXIT.
11. CABLE DIAMETER RANGE = 4.58-11.68 [.180-.460].



THIS DRAWING IS A CONTROLLED DOCUMENT.		DWN	12-22-04	tyco Electronics	Tyco Electronics Corporation Harrisburg, Pa 17105-3608	
DIMENSIONS: mm(INCHES)		CHK	12-22-04		NAME	
TOLERANCES UNLESS OTHERWISE SPECIFIED:		G. ATTADIA - DOCK5		RECEPTACLE KIT, UNASSEMBLED, SIZE 3, 25 POSITION, AMPLIMITE HDP-20		
0 PLC ± -		J. GERACE		SIZE		
1 PLC ± -		M. WALMSLEY 12-22-04		CAGE CODE		
2 PLC ± 0.13 [.005]		PRODUCT SPEC		DRAWING NO		
3 PLC ± -		APPLICATION SPEC		RESTRICTED TO		
4 PLC ± -		114-10000 & 114-40030		A2 00779 C=1-749812-1		
ANGLES ± -		WEIGHT		SCALE		
FINISH		-		3:1		
MATERIAL		CUSTOMER DRAWING		SHEET 1 OF 1		
△ 3 △ 4 △ 5				REV A		